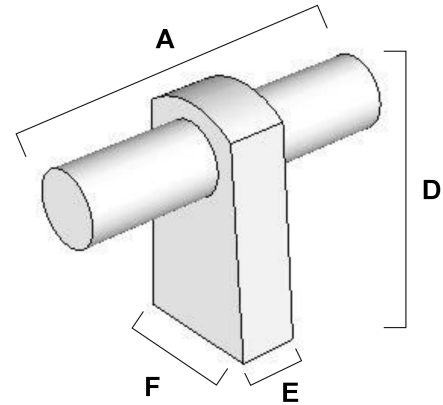
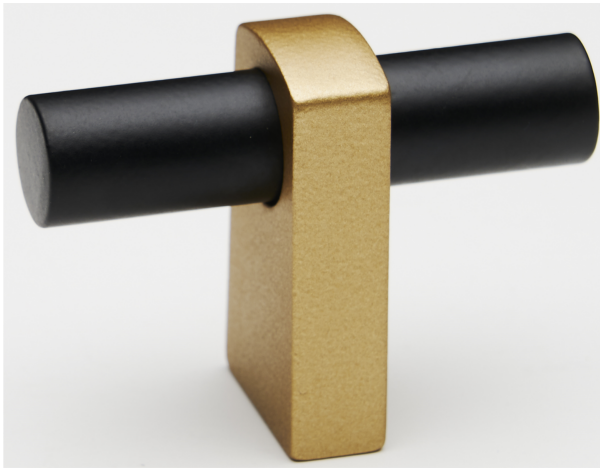


SPECIFICATIONS

**VITA BELLA
KNOBS**



FEATURES

Transitional styling
Multiple finishes
Concealed installation

WARRANTY

Limited lifetime

FINISHES

Matte Black (MB)
Champagne (CHP)
Matte Nickel (MN)
Champagne/Matte Black (CHP/MB)
Matte Nickel/Matte Black (MN/MB)

MATERIAL

Aluminum

Item#	A	B	C	D	E (L)	F (W)
A2801	1 3/4"		5/16"	1 1/4"	1/4"	11/16"
A2901	1 3/4"		3/8"	1 1/4"	1/4"	11/16"

KEY:

A - Overall Length
B - Center to Center
C - Width
D - Projection
E - Mount Length
F - Mount Width

NOTE: Dimensions and specifications are subject to change without notice.