

# INSTALLATION INSTRUCTIONS CARE AND MAINTENANCE

*American Standard*

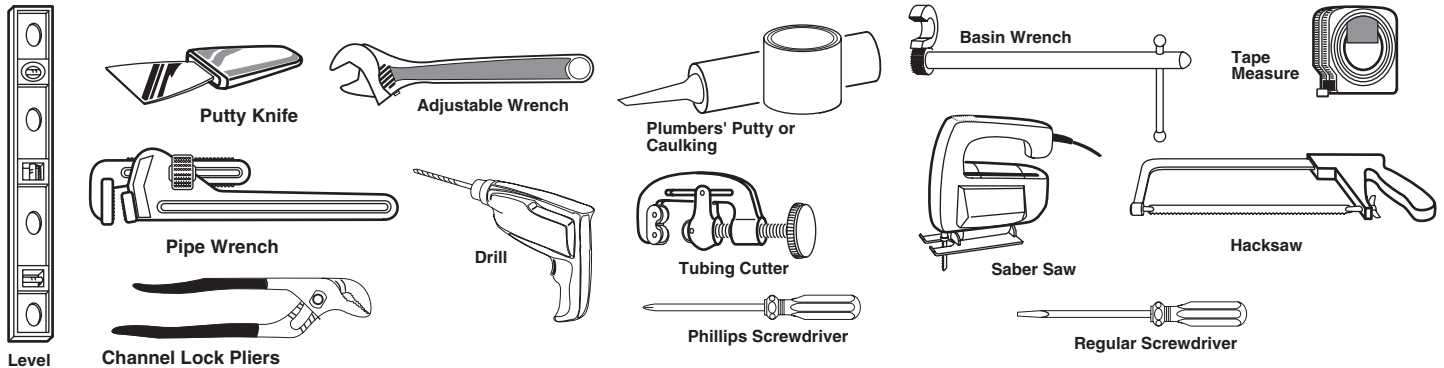
Style That Works Better

## 0641 BOULEVARD 0403 TROPIC PETITE 0404 TROPIC GRANDE

Thank you for selecting American Standard - the benchmark of fine quality for over 100 years. To ensure this product is installed properly, please read these instructions carefully before you begin. (Certain installations may require professional help.) Also be sure your installation conforms to local codes.

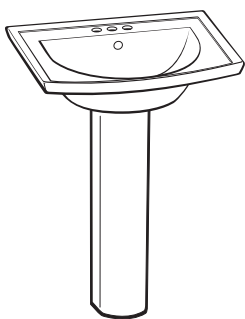
**▲ CAUTION: PRODUCT IS FRAGILE. TO AVOID BREAKAGE AND POSSIBLE INJURY HANDLE WITH CARE!**  
NOTE: Pictures may not exactly define contour of china and components.

### Recommended Tools & Materials

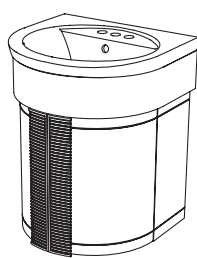


**OBSERVE LOCAL PLUMBING AND BUILDING CODES**

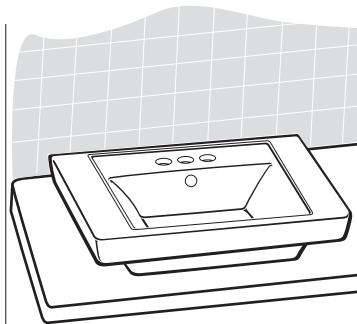
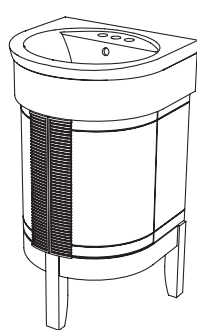
*This lavatory can be installed 4 different ways. Please follow the instructions for your installation method.*



**1. PEDESTAL**

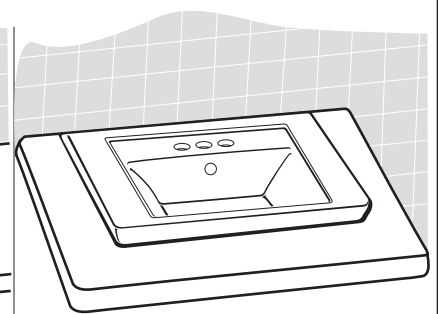


**2. WALL-HUNG ON FURNITURE**



**3. ABOVE COUNTER**

\* not recommended for 0404



**4. DROP-IN**

\* not recommended for 0404

**In the United States:**

American Standard Brands  
P.O. Box 6820  
Piscataway, New Jersey 08855  
Attention: Director of Consumer Affairs

For residents of the United States, warranty information may also be obtained by calling the following toll free number: (800) 442-1902  
[www.americanstandard-us.com](http://www.americanstandard-us.com)

**In Canada:**

AS Canada ULC  
2480 Stanfield Rd.  
Mississauga, Ontario  
Canada L4Y 1S2

Toll Free: (800) 387-0369  
[www.americanstandard.ca](http://www.americanstandard.ca)

**In Mexico:**

Customer Service Manager  
AS Maquila, S.A. de C.V.  
Via Morelos #330  
Col. Santa Clara  
Ecatepec 55540 Edo. Mexico

[www.americanstandard.com/mx](http://www.americanstandard.com/mx)

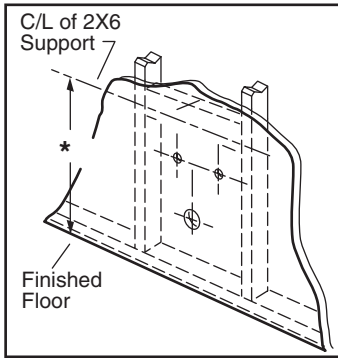
# 1. Pedestal installation

## 1-A

Provide suitable reinforcement behind finished wall for lavatory mounting screws.

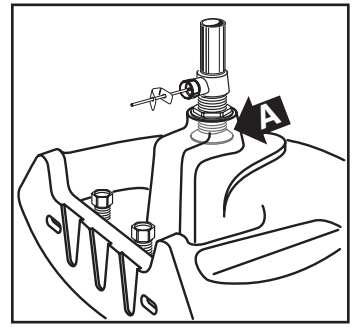
\* Determine horizontal center line location of support from fixture.

**NOTE:** If replacing an existing sink be certain to shut off water supply before removing old sink.



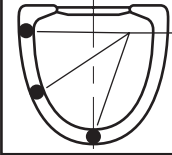
## 1-F

Following manufacturer's instructions, install faucet and drain assembly (not included). Be certain to apply a bead of sealing putty on the underside of the drain (area "A") in order to ensure a watertight seal between the lavatory and drain. Remove excess putty after installing drain on lavatory.



## 1-B

### Top of Pedestal



Approx. Bumper locations to raise the lavatory slab left side.

**For example only**

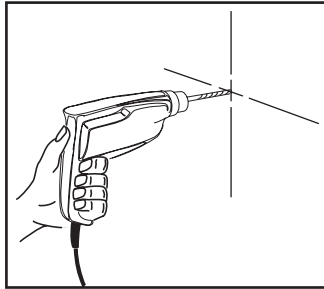
Place lavatory and pedestal into installed position. Level and square the lavatory and pedestal assembly. Use one or more bumper cushions to level and cushion lavatory slab to pedestal.

## 1-C

Mark lavatory and pedestal screw locations through the mounting holes.

## 1-D

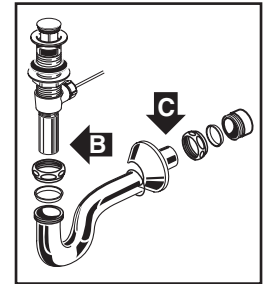
Remove lavatory and pedestal from installed position. Drill pilot holes for lavatory and pedestal anchor screws or lag bolts.



**Note:** Some models are supplied with lag bolts, anchor screws, or steel hangers for lavatory installations only. Other models and all pedestals are not provided with mounting hardware. Various pedestal screw sizes and types are available to the installer at local hardware outlets.

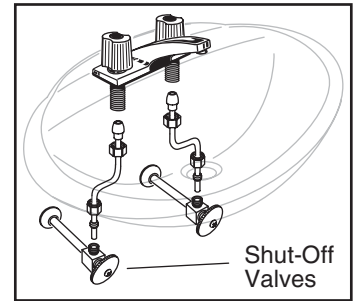
## 1-G

Return the fitted lavatory to the installed position. Connect trap to drain assembly hand tight to check alignment. It may be necessary to cut off part of the tailpiece (area "B") or part of the horizontal leg of the trap (area "C").



## 1-H

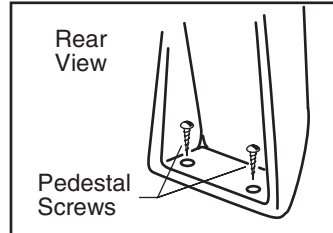
Secure lavatory to wall as shown in 1E. Install washers and hand tighten nuts or lag bolts. Level and square the unit. Connect hot and cold supply lines to the shut-off valves. Tighten trap joints for watertight assembly.



## 1-I

Rear View

Pedestal Screws



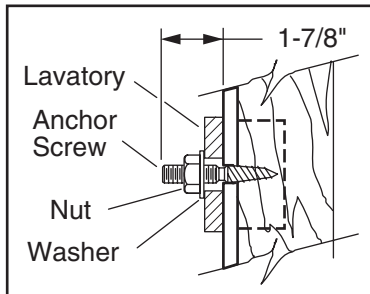
Install pedestal screws. Securely tighten lavatory anchor nuts or lag bolts.

**Note:** Space constraints may dictate method of fastening pedestal to floor.

## 1-E

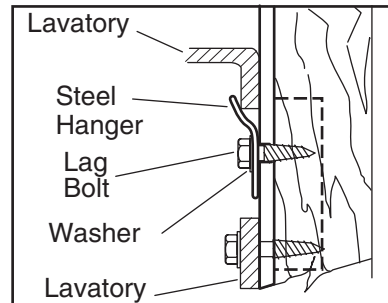
### ANCHOR SCREW INSTALLATION

Install lavatory anchor screws leaving 1-7/8" threaded end exposed as illustrated.



### LAG BOLT INSTALLATION

Use lag bolts to secure lavatory as illustrated.



**IMPORTANT:** Final assembly of nut and washer or lag bolt method shown for reference only.

## 2. Wall-hung on furniture

2-A

### Mounting on Furniture:

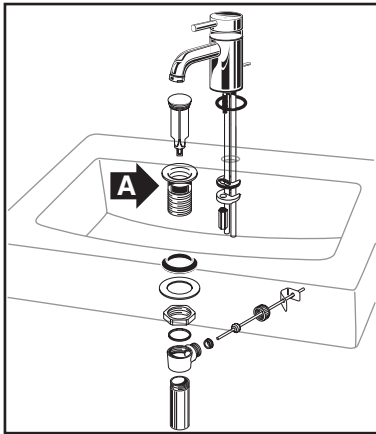
Assemble vanity as per instructions.

2-E

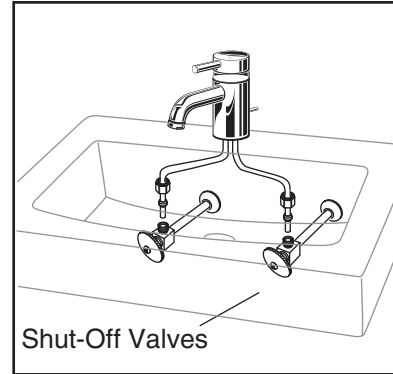
Use the mounting holes on the rear of the lavatory to secure the sink to the wall.

2-B

Mount the faucet and drain assembly (not included) on the sink following the manufacturer's instructions. Be certain to apply a bead of sealing putty on the underside of the drain (Part "A") in order to ensure a watertight seal between the sink and drain. Remove excess putty after installing drain on sink.



2-F



Connect supply line to faucet (finger tight) and carefully bend tubes to engage with the supply shut-off valves. Tighten connections at faucet and shut-off valves for secure seal.

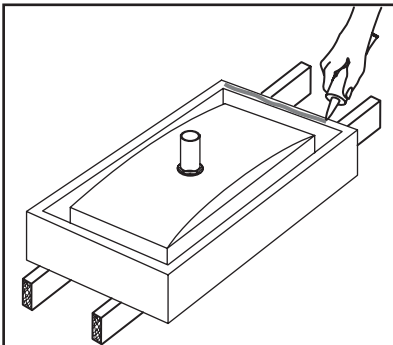
2-C

### Vanity Installation:

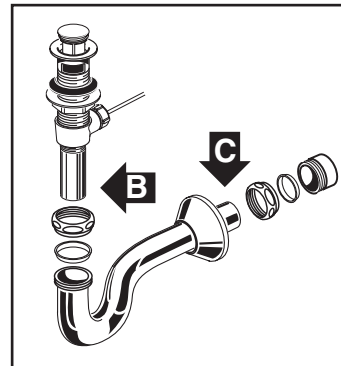
- Place the sink temporarily on the vanity to check for alignment and clearance

2-D

After checking fit and alignment, turn sink upside down and apply a generous portion of silicone adhesive around the under side of the rim near the edge. Place sink in position. Wipe off excess adhesive.



2-G



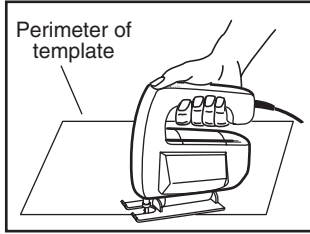
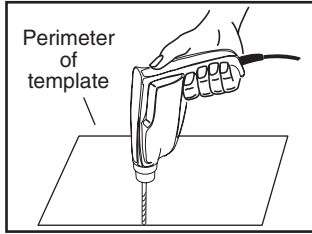
Connect trap to drain assembly hand tight to check alignment. It may be necessary to cut off part of the tailpiece (area "B") or part of the horizontal leg of the trap (area "C"). Secure joints for watertight assembly.

3. Above Counter *OR*  
4. Drop-in

**\*\* BACK OF LAVATORY IS UNGLAZED \*\***  
**The lavatory must be installed flush with wall.**

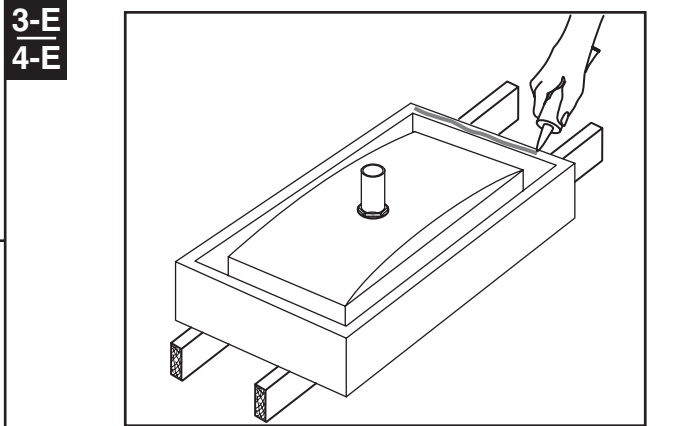
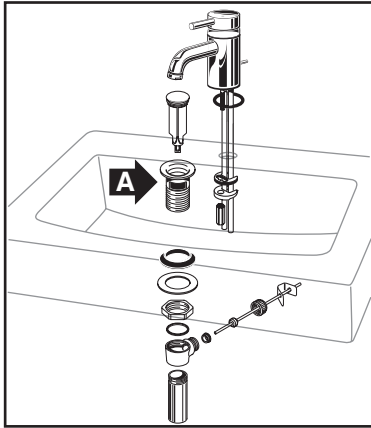
**3-A**  
**4-A** **Countertop Installation:**  
Using the template provided, locate the position of the sink on the countertop. Provide proper clearance under the countertop for the faucet supply lines, drain assembly and the structural parts of the cabinet.  
**NOTE:** If replacing an existing sink be certain to shut off water supply before removing old sink.

**3-B**  
**4-B** Drill a clearance hole inside the perimeter line of the template for countertop installation.



Cut opening around the perimeter of the template.

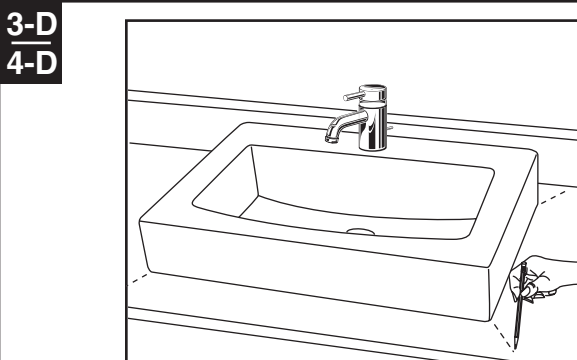
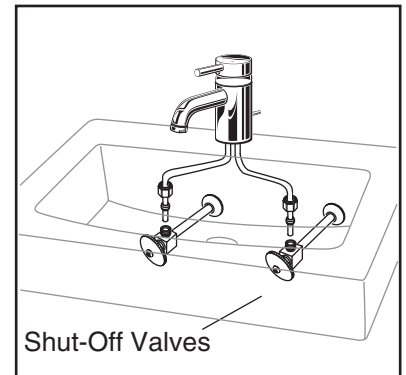
**3-C**  
**4-C** Mount the faucet and drain assembly (not included) on the sink following the manufacturer's instructions. Be certain to apply a bead of sealing putty on the underside of the drain (Part "A") in order to ensure a watertight seal between the sink and drain. Remove excess putty after installing drain on sink.



After checking fit and alignment, turn sink upside down and apply a generous portion of silicone adhesive around the under side of the rim near the edge. Place sink in position. Wipe off excess adhesive.

**3-F**  
**4-F** Use the mounting holes on the rear of the lavatory to secure the sink to the wall.

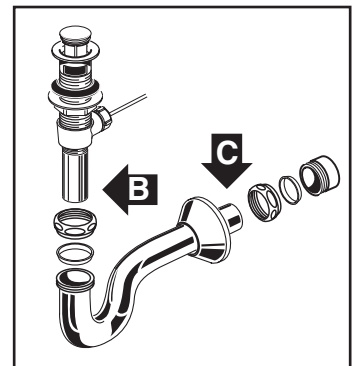
**3-G**  
**4-G** Connect supply line to faucet (finger tight) and carefully bend tubes to engage with the supply shut-off valves. Tighten connections at faucet and shut-off valves for secure seal.



**Countertop Installation:**

- Place the sink temporarily into the template
- Check for alignment and clearance
- Mark the sink and countertop in several places as a guide for the installation location.

**3-H**  
**4-H** Connect trap to drain assembly hand tight to check alignment. It may be necessary to cut off part of the tailpiece (area "B") or part of the horizontal leg of the trap (area "C"). Secure joints for watertight assembly.



REPAIR PARTS LIST	Part #	Description
	047523-0070A	Wall mounting kit