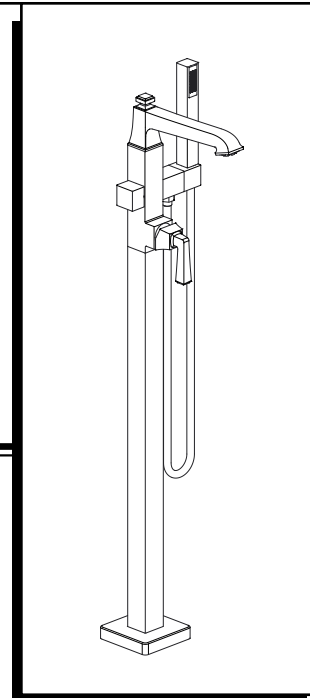


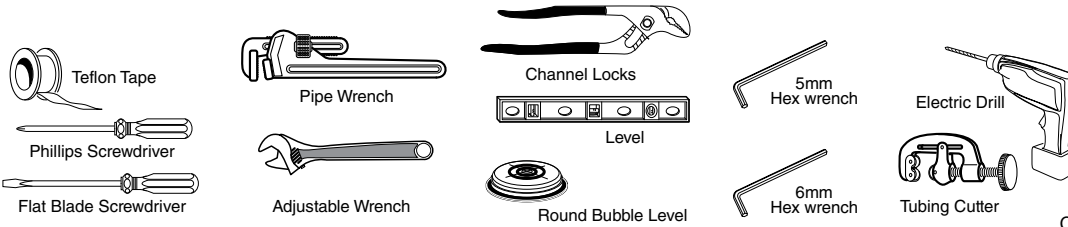
**Town Square® S  
Floor Mount Tub Filler**

*Thank you for selecting American Standard...  
the benchmark of fine quality for over 140 years.*

**To ensure that your installation proceeds smoothly-please read  
these instructions carefully before you begin.**

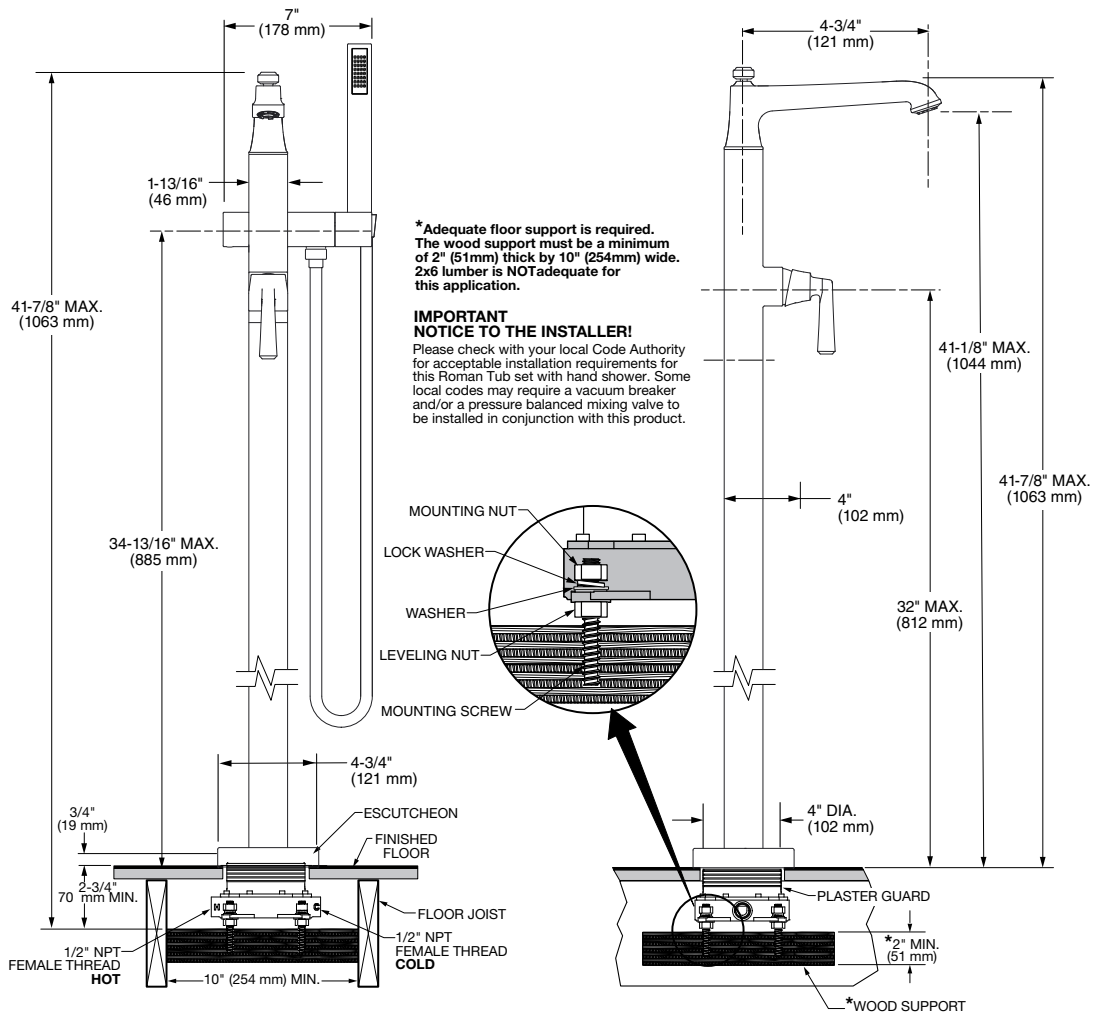


**RECOMMENDED TOOLS**



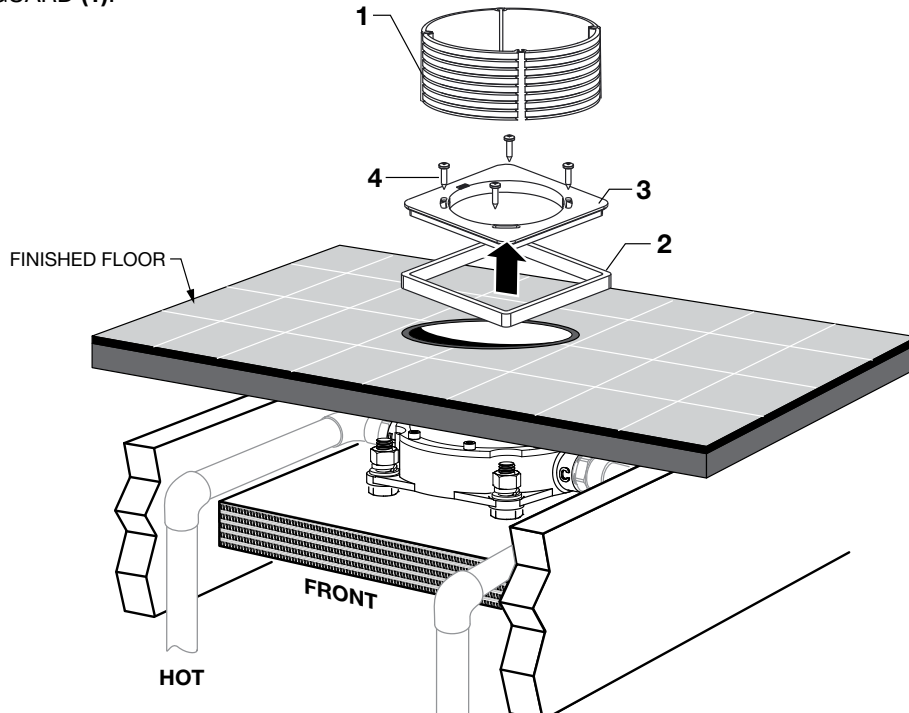
Certified to comply with ANSI A112.18.1

**ROUGH-IN DIMENSIONS**



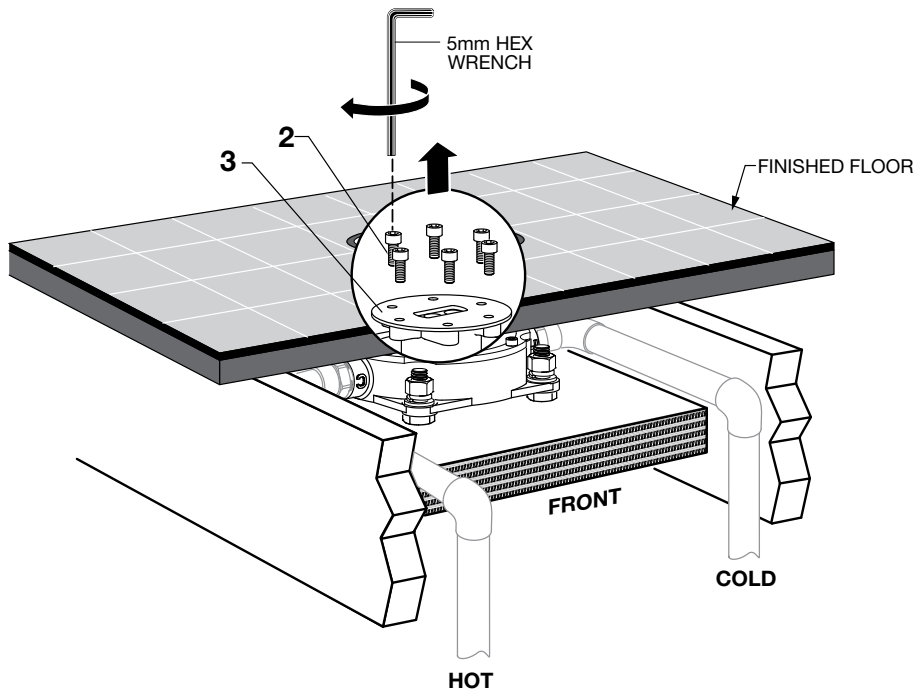
## 1 REMOVE EXPOSED PLASTER GUARD

- Cut the exposed part of the PLASTER GUARD (1) flush with the finished floor. Be careful not to damage the floor.
- Place GASKET (2) under BASE PLATE (3).
- Secure BASE PLATE (3) with SCREWS (4) to the PLASTER GUARD (1).



## 2 REMOVE RETAINING PLATE AND SCREWS

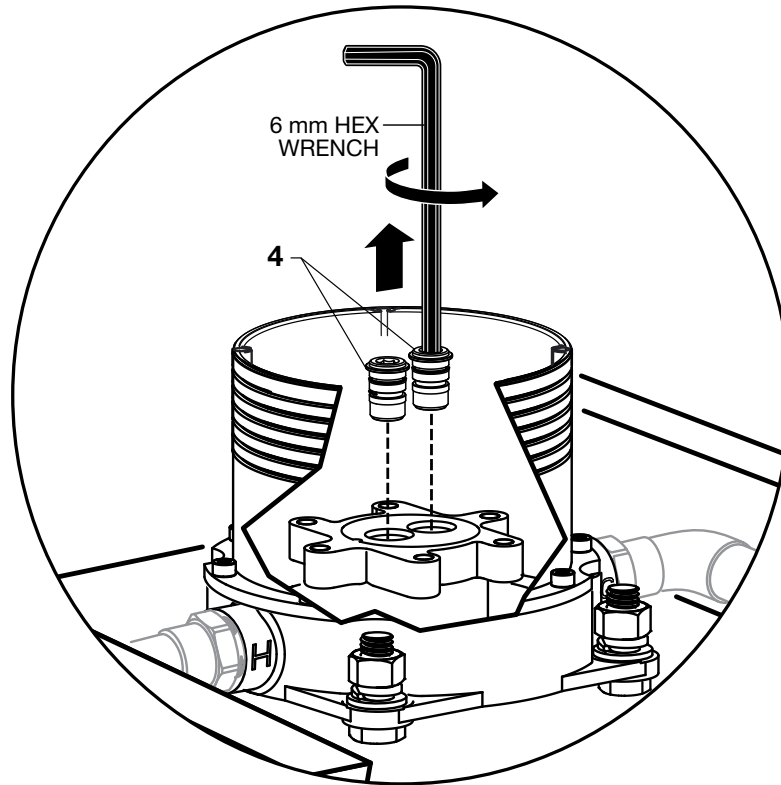
- Remove the SIX RETAINING PLATE SCREWS (2) with a (5 mm) hex wrench.
- Remove RETAINING PLATE (3).



### 3 REMOVE HOT AND COLD TEST PLUGS

**Note:** Floor is not shown for clarity in this illustration.

- Remove the two TEST PLUGS (4) with a (6 mm) hex wrench.



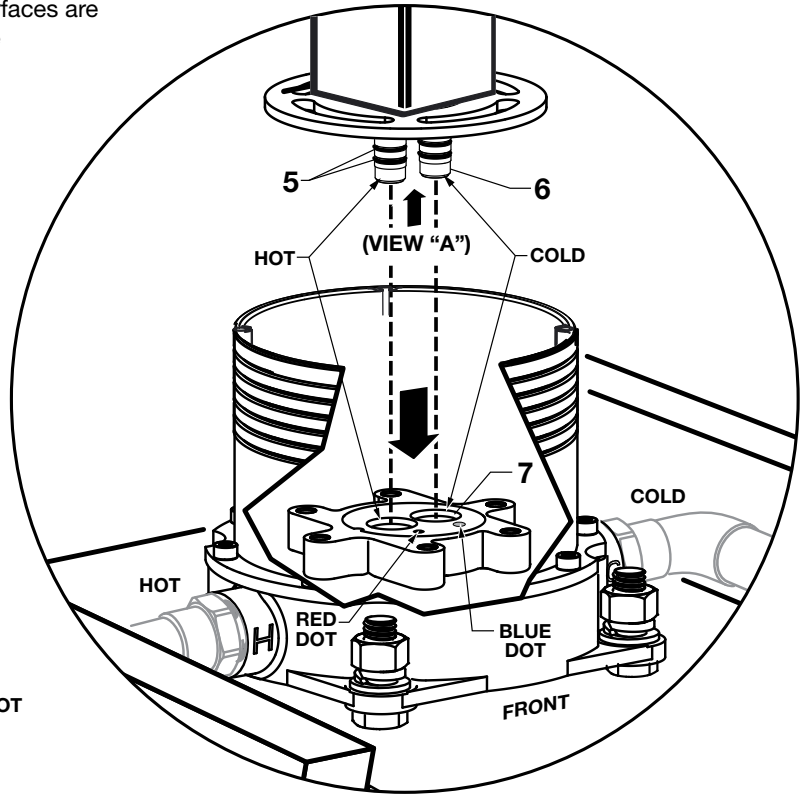
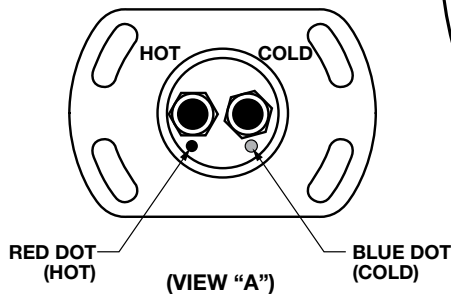
## 4 INSTALL TUB FILLER

- Before final installation, check that all sealing surfaces are clean and that the INLET HOSE O-RINGS (5) are not damaged.

**IMPORTANT: INLET HOSE O-RINGS (5) can be damaged if caution is not used when installing.**

**Match inlet hose marked with a blue dot with the hole on the manifold also marked with blue dot. (VIEW "A")**

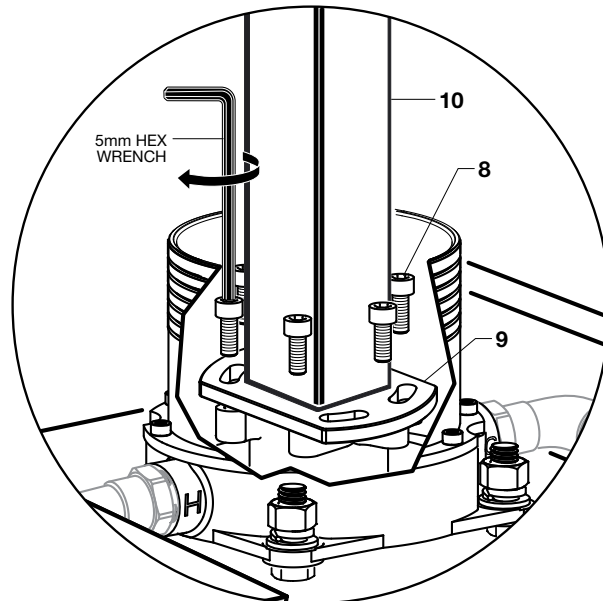
- Install the INLET HOSES (6) into the MANIFOLD MOUNTING BASE (7).



## 4a INSTALL TUB FILLER

**NOTE: A minimum of four MOUNTING SCREWS (8) are required to secure the tub filler. All six are preferred.**

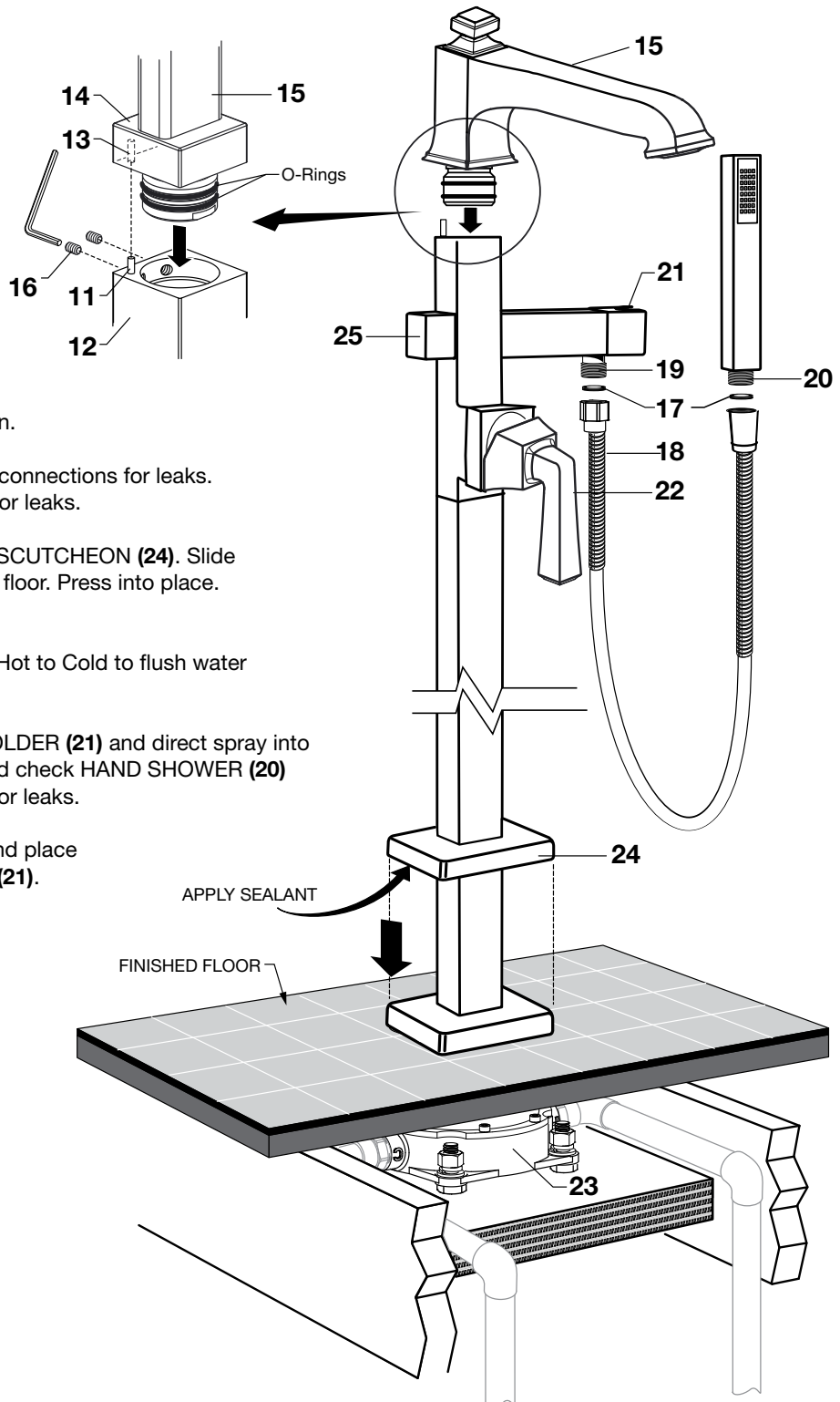
- Install the MOUNTING SCREWS (8) through the MOUNTING PLATE (9) and into the manifold base. Do not fully tighten.
- Rotate the TUB FILLER (10) right or left to align with Tub. Tighten MOUNTING SCREWS (8) with 5mm Hex Wrench to secure TUB FILLER (10).



## 4b INSTALL SPOUT AND HAND SHOWER

- Align PIN (11) in FAUCET BASE (12) with HOLE (13) in SPOUT BASE (14). Install SPOUT (15) into FAUCET BASE (12). Tighten the two SET SCREWS (16).
- Install SEALS (17) on both ends of the SPRAY HOSE (18). Connect the end with the hex to the DIVERTER (19) using an adjustable wrench. Hand tighten the connection to the HAND SHOWER (20).

**NOTE:** When not in use, the HAND SHOWER (20) should be seated in the SHOWER HOLDER (21).



### TEST INSTALLED FAUCET

- Move HANDLE (22) onto "off" position.
- Turn on water supplies and check all connections for leaks. Check MANIFOLD (23) connections for leaks.
- Apply sealant to underside edge of ESCUTCHEON (24). Slide ESCUTCHEON (24) down to finished floor. Press into place. Clean up excess sealant.
- Operate HANDLE (22) On to Off and Hot to Cold to flush water lines thoroughly.
- Lift HAND SHOWER (20) from the HOLDER (21) and direct spray into tub. Rotate DIVERTER KNOB (25) and check HAND SHOWER (20) and SPRAY HOSE (18) connections for leaks.
- Rotate DIVERTER KNOB (25) back and place HAND SHOWER (20) into HOLDER (21).

# American Standard

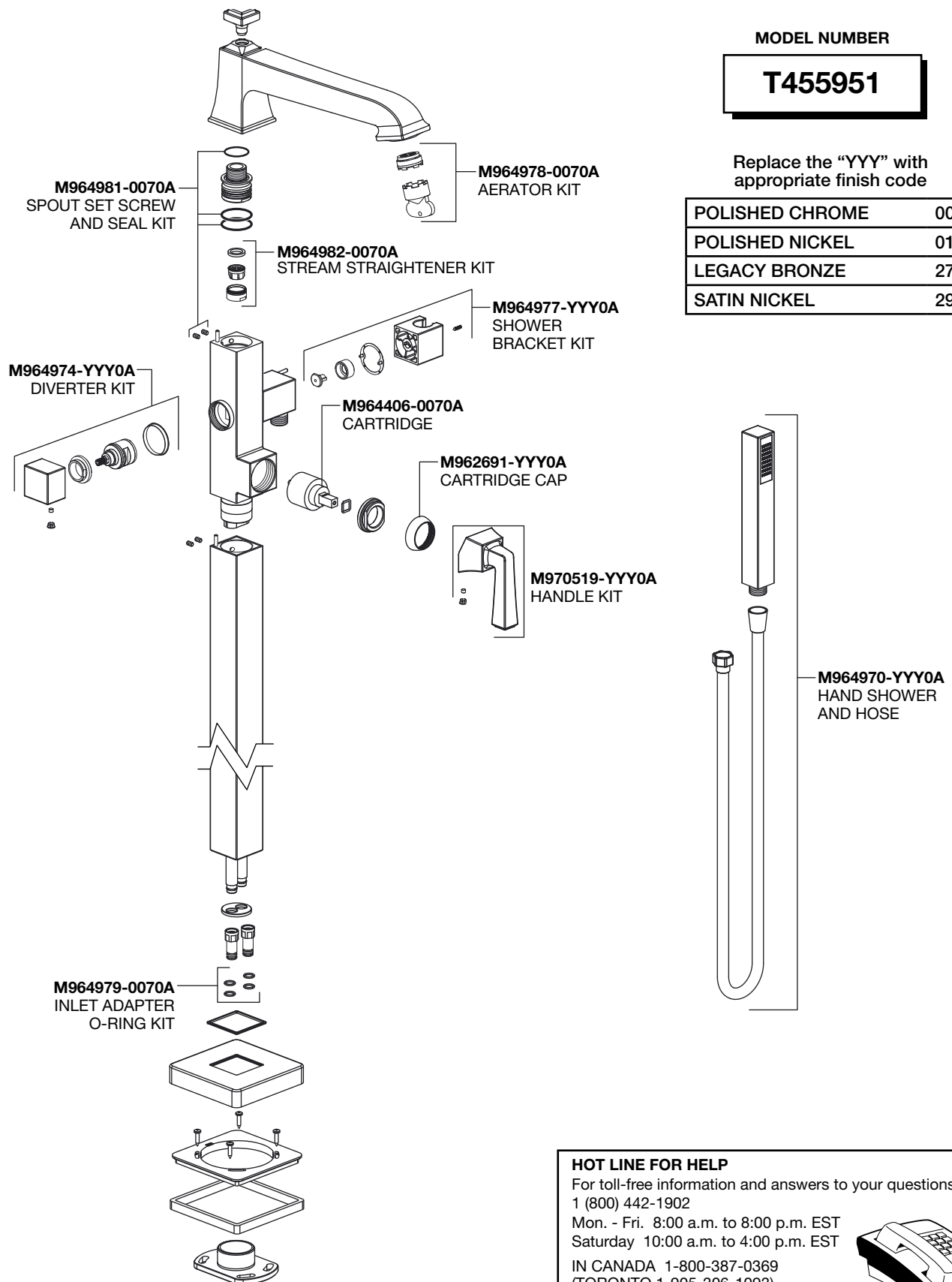
## Town Square® S Floor Mount Tub Filler

MODEL NUMBER

**T455951**

Replace the "YYY" with appropriate finish code

POLISHED CHROME	002
POLISHED NICKEL	013
LEGACY BRONZE	278
SATIN NICKEL	295



PART OF LIXIL

### HOT LINE FOR HELP

For toll-free information and answers to your questions, call:  
1 (800) 442-1902

Mon. - Fri. 8:00 a.m. to 8:00 p.m. EST

Saturday 10:00 a.m. to 4:00 p.m. EST

IN CANADA 1-800-387-0369

(TORONTO 1-905-306-1093)

Weekdays 8:00 a.m. to 7:00 p.m. EST

IN MEXICO 01-800-839-1200

