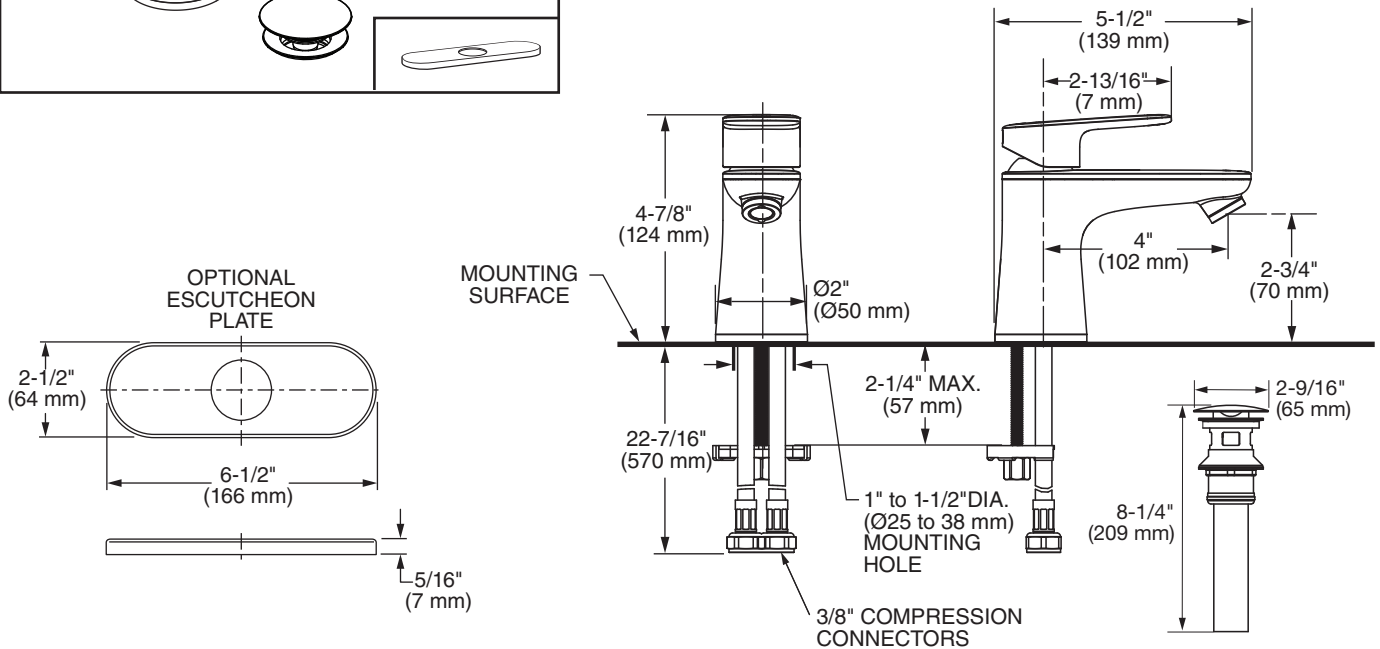


**MODEL NUMBER:**

- ❑ **7061131 Single Control Petite Monoblock Faucet**  
Metal body and lever handle.. Metal push pop-up drain.

**AVAILABLE ACCESSORY:**

- ❑ **70204P0 Escutcheon Plate Only**



**GENERAL DESCRIPTION:**

Cast metal body and handle. Washerless 28 mm ceramic disc valve cartridge with integral hot limit safety stop. Braided flexible supply hoses with 3/8" compression connectors. Metal push pop-up drain. body with 1-1/4" (32 mm) tail piece. 1.2 gpm/4.5 L/min. maximum flow rate. Fitting can be mounted on 4" centers using optional escutcheon (70204P0) or single hole mounting method.

**PRODUCT FEATURES:**

- Ceramic Disc Valve Cartridge:** Assures a lifetime of smooth handle operation and drip-free performance.
- Adjustable Hot Limit Safety Stop:** Limits the amount of hot water allowed to mix with cold. Reduces the risk of accidental scalding.
- Easy to Install Metal Push Drain:**
  - Easy to install, operate and remove clogs.
  - Brass push pop-up drain.
  - Fewer parts. Installs in less time.
- Lead Free:** Faucet contains ≤ 0.25% total lead content by weighted average.

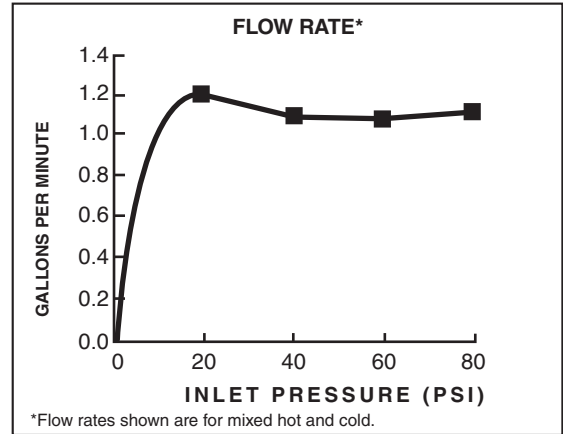
**SUGGESTED SPECIFICATION**

Single control lavatory faucet shall feature a cast brass body with metal lever handle. Fitting shall be equipped with flexible supplies with 3/8" compression connectors. Shall also feature washerless ceramic disc valve cartridge with integral hot limit safety stop. Shall feature a brass push pop-up drain. Shall also feature a metal drain body with stainless steel cable actuation. Fitting shall be American Standard Model # 7061131.XXX.

**CODES AND STANDARDS**

These products meet or exceed the following codes and standards:

- ASME A112.18.1**
- CSA B125.1**
- NSF/ANSI/CAN 61: Q<1**
- NSF/ANSI/CAN 372**
- ANSI A117.1**



Product Number	Description	ADA	Finish Options		
			Polished Chrome	PVD Brushed Nickel	Matte Black
			002	295	243
7061131	Single Control Petite Monoblock Faucet. Metal push pop-up drain.	ADA	✓	✓	✓
70204P0	Optional Escutcheon Plate Only (For mounting on 4" centers).		✓	✓	✓

**ADA** Meets the American Disabilities Act Guidelines and **ANSI A117.1** Requirements for the physically challenged.

**ADA** Meets the American Disabilities Act Guidelines and **ANSI A117.1** Requirements for the physically challenged.

PART OF **LIXIL**