

MODEL NUMBER:

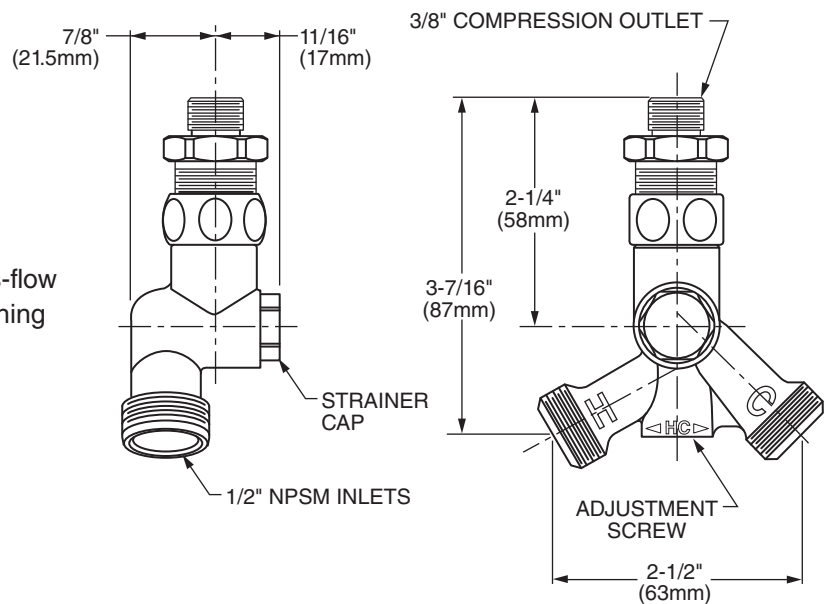
☐ **021943-0070A** Mechanical mixing valve

GENERAL DESCRIPTION:

Below deck mechanical water mixing valve. Adjustable temperature by using a flat head screwdriver. To decrease temperature, rotate clockwise. To increase temperature, rotate counter-clockwise.

PRODUCT FEATURES:

- Forged brass body
- Inlets: 1/2" NPSM
- Outlet: 3/8" male compression
- Screw in valve bottom allows for easy temperature adjustment
- Built-in check valves in inlets prevent cross-flow
- Removable 60 mesh strainer for easy cleaning



RECOMMENDED SPECIFICATION

The Mixing Valve shall be of a mechanical type with built-in check valves to prevent cross-flow. Fitting shall be American Standard Model # 021943-0070A.