

# COMPACT 500 WALL HUNG BASIN

Cat. No  
4-62X



Faucet not included



Mounting hardware

W: 19-3/4"  
D: 15"  
H: 6-3/4"

Back of basin to center of faucet: 2-1/4 "  
Back of basin to center of drain: 6-1/4 "  
Mount holes cc: 11"  
Spout hole: 1-3/8 "

## Interior Dimensions:

Basin Interior: 17 x 10"  
Basin Depth: 6-1/2"

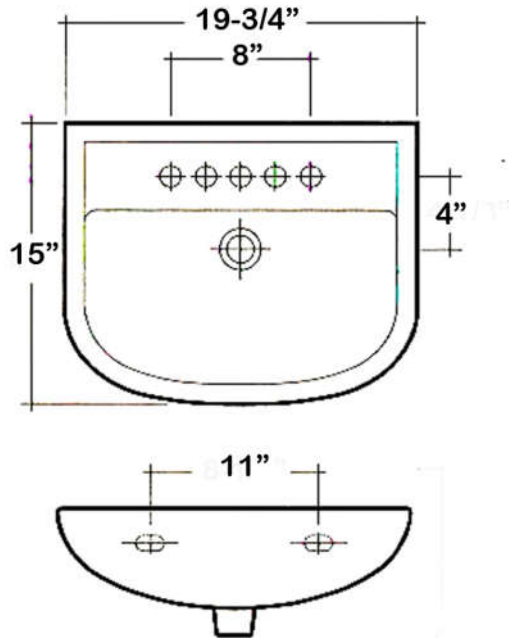
## Features:

- ▶ Wall hung basin
- ▶ Made of Vitreous China
- ▶ No overflow
- ▶ Available with 1-hole (4-621), 4"cc (4-624) or 8" widespread (4-628)
- ▶ Mounting hardware included

## Colors:

WH White

Meets or exceeds the following specifications: ASME A112.19.2 2013 and CSA B45.1-13 for ceramic plumbing fixtures.



Dimensions of fixture are nominal and may vary within the range of tolerances established by ASME Standard A112.19.2.2013. Dimensions and specifications subject to change without notice.