

# HALIFAX 61" CAST IRON SLIPPER TUB

Cat. No.  
CTSH611



L: 61- $\frac{1}{4}$ "  
W: 30- $\frac{1}{4}$ "  
H: 21- $\frac{1}{2}$ " & 31" (from floor to top of tub)  
15- $\frac{1}{2}$ " & 23- $\frac{3}{4}$ " (from bottom of tub  
to top of tub)

Water Depth: 16- $\frac{1}{8}$ " at to top of tub  
Water depth: 14- $\frac{3}{8}$ " to overflow  
Overflow hole: 1 $\frac{1}{2}$ "

**The following is recommended for  
CTSH611 tubs with deck holes:**

- Rim-mounted faucet: part #4601 or 4201
- Complete shower unit: part# 4063
- Straight bath supplies: part #5577
- Leg tub drain: part #5599

**Do not use with rigid, freestanding supplies.**

Gallon Capacity: 45  
Shipping Weight: 465 lbs.  
Empty Weight: 285 lbs.  
Filled Weight: 661 lbs.

## Features:

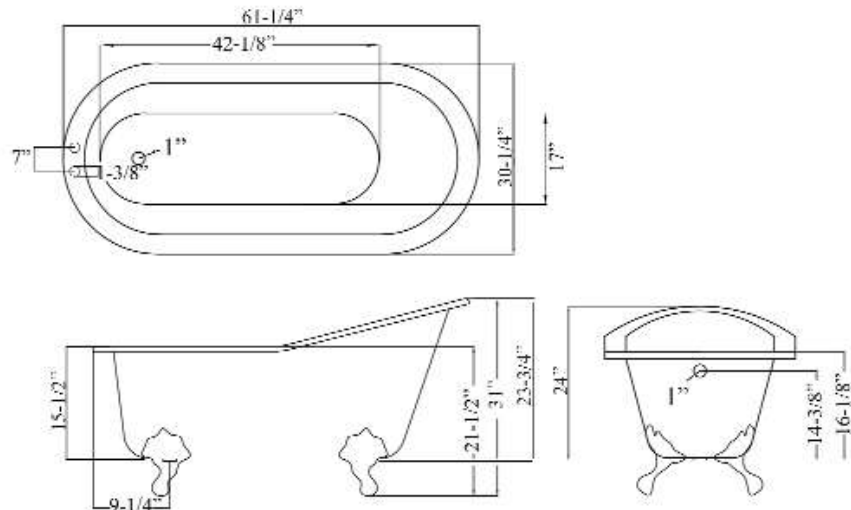
- ▶ Inside finish is white enamel
- ▶ Cast iron Imperial feet
- ▶ Tub exterior is white (epoxy)
- ▶ 7" centers in tub deck
- ▶ Non-skid strips
- ▶ Imperial feet are available in 8 finishes
- ▶ Feet attached and leveled before shipment
- ▶ Tub is thoroughly inspected before shipment



### Foot Finishes:

- |                           |                              |
|---------------------------|------------------------------|
| <b>BL</b> Black           | <b>PB</b> Polished Brass     |
| <b>BQ</b> Bisque          | <b>ORB</b> Oil-rubbed Bronze |
| <b>CP</b> Polished Chrome | <b>SN</b> Brushed Nickel     |
| <b>PN</b> Polished Nickel | <b>WH</b> White              |

**Custom Colors Available** (inside of tub is always white enamel):  
Painted bathtubs are considered "special order" and are not returnable  
\$160 Bisque or Black \$250 Designer Color



Dimensions of fixture are nominal and may vary within the range of tolerances established by ANSI Standard A112.19.1M. Dimensions and specifications subject to change without notice.