

Acrylic Freestanding Bathtub

Installation Guide

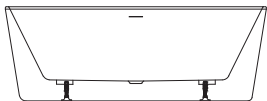


BT8001

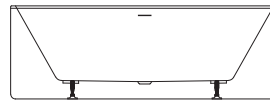


BT8002B16

BT8002B18

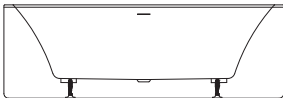


BT8005

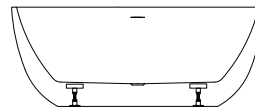


BT8004B16

BT8004B18



BT8007



BT8006B15

BT8006B17

Attention — Before Installation

Thank you for choosing from among Blu's quality line of products. We recommend that you carefully read this installation guide to ensure your bathtub's proper operation and reliability for many years to come.

WARNING: The tub's weight may vary between 120 and 250 lbs (55 and 115 kg). We recommend that the installation be done by a minimum of 2 people as a security precaution. Also make sure to adopt the proper posture when lifting the tub.

Adhere to all local building and plumbing codes. The diagrams in this guide are not construction plans. They are visual aids.

Installation Requirements

Please read the instructions carefully so as to avoid any damage to the fixture.

1. To ensure this product is installed properly, you must read and follow these guidelines.
2. The owner/user of the product must keep this information for future reference.
3. Consult local building codes to make sure the installation complies with standards.
4. Remove the unit from its packaging. Before disposing of it, inspect the unit to make sure its in good shape. Should inspection reveal any damage or defect in the finish, contact your distributor. The warranty does not cover damages or defects in the finish once it has been installed. Blu Bathworks' responsibility for shipping damages ceases upon delivery of the product in good order to the carrier. All complaints regarding damage due to transport must be made directly to the carrier.
5. Place the unit in the bathroom before you start working. Conserve all nuts and bolts.
6. To protect the unit during installation, we recommend that you lay a piece of cardboard on the bottom.
7. If the unit is covered with polyethylene protective film, do not remove until installation is complete to grant maximum protection. However, remove film where any two surfaces will be in permanent contact.
8. Make sure the bathroom floor is level and strong enough to support the weight of the water-filled bathtub. If you are renovating, bring down the walls to install framing and plumbing. Make sure the walls are properly insulated and comply with the appropriate building code.
9. Verify that all dimensions on the plan are the same as the ones of the unit.
10. If an apron is to be installed, make sure the bathtub is at the same height as the floor covering.

Installation Notes

Important! Install this product according to the installation guide. Floor support under bath must provide for a minimum of 1400 lbs (635kg). Hot water supply should be 70% of capacity or greater. Installation will vary.

Technical Support Assistance

If further assistance is required, please contact:

Product Support at 1.866.907.0122 (09:00 – 17:00hrs PST) or email technical@blubathworks.com

North America

Blu Bathworks Inc.

188 Smithe Street, Vancouver, BC, Canada, V6B 6A9

T +1.604.299.0122 F +1.604.299.0125

Please refer to blubathworks.com for warranty, terms & conditions under warranty & procedure for warranty service.

Installation for Freestanding Bathtubs

IMPORTANT: Ensure to check the bathtub for proper drainage before any draining is done.

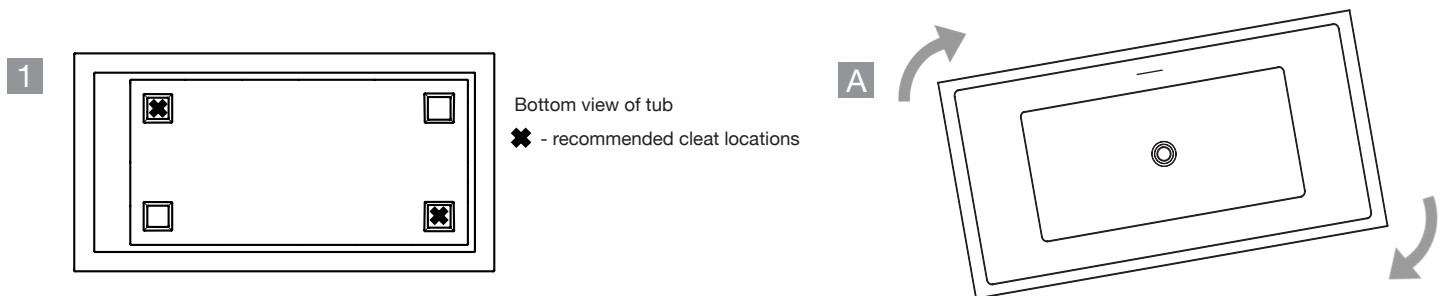
- The bathtub is shipped with the skirt attached as one piece.
- Blu recommends that the tub be water tested before installation is complete. Fill the tub to require the overflow and inspect for leaks.

NOTE: Blu recommends that acrylic tubs be anchored to the floor using either floor cleats or adhesive.

Installation Using Floor Cleats

(Included with all Blu acrylic bathtub models)

1. Mark the outline of the bathtub on the floor with nonpermanent marker.
2. Turn the bathtub upside down. This is a 2 person task and the floor must be protected by a clean, padded material to ensure that the bathtub is not scratched or damaged through contact with the floor.
3. Measure the location of the feet and transfer measurement to the floor.
4. The floor finish will determine the type of screw to adhere the cleats to the finished floor.
5. As per diagram 1, offset cleats, mount cleats open in the opposite direction.



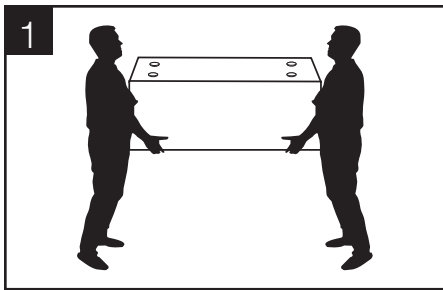
6. Using 2 people, turn the bathtub the right way up, center the bathtub on the outline marked on the floor in the previous steps, and press down firmly.
7. As per diagram A, offset the tub from center to allow the tub to enter the open cleat when slid into position. Then rotate clockwise into position.
8. Connect the bathtub drain to the waste. Hook up the water to the faucet. Check that all connections are tested and not leaking water.
9. The waste and overflow can then be attached to the trap from below the floor.

Installation Procedure

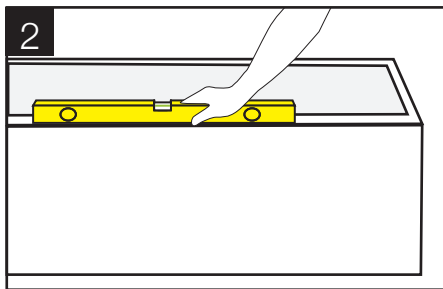
Before you start:

- Ensure that the floor is level and the strength of the floor is sufficient where the bathtub will be positioned.
- Clean the space around where the bathtub will be positioned to avoid damage to the bathtub during installation.
- The waste-overflow fitting is supplied with the product, however other accessories like the tail piece and adaptors are not included and must be purchased separately from your local supplier.
- The bathtub must be carried in the upside-down position. Do not lift or support the bathtub by the panels.
- Raise the bathtub up to 3½" with 4x4 pieces of lumber so you can have access from the bottom of the bathtub.
- The basic installation of plumbing pipes (drain & water supply) must be performed by a qualified plumber.
- The waste-overflow fitting comes pre-installed with the bathtub from the factory. The waste pipe/p-trap connection must be made directly to waste/drain outlet located underneath the bottom of the tub.

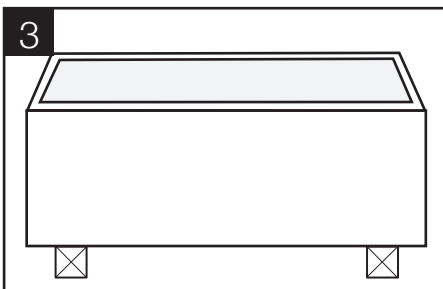
Installation Sequence



- The acrylic bathtub must be carried in an upside-down position. It must never be carried by its acrylic panels. Two persons required.

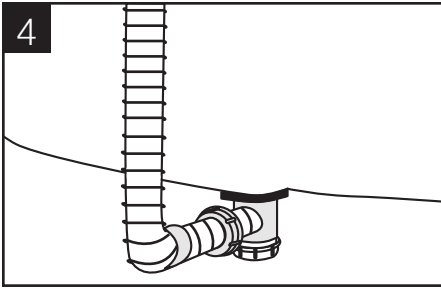


- The bathtub is leveled via a water level at the intended local installation area.

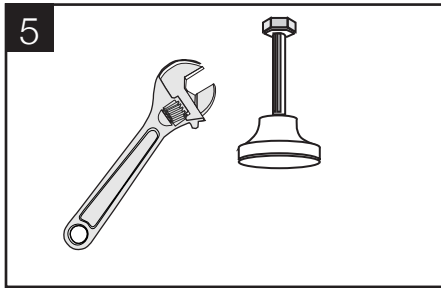


- Raise the bathtub up to 3½" with 4x4 pieces of lumber so you can have access from the bottom of the bathtub.

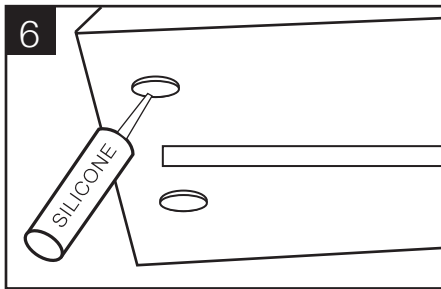
Installation Sequence (continued)



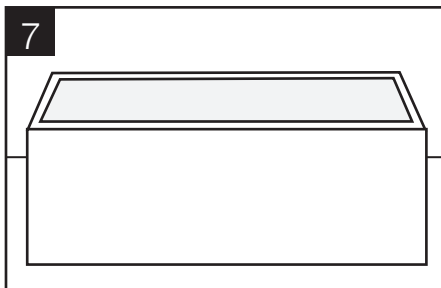
- The water outlet pipe should be connected.
- Connect integrated overflow tube to outlet drain.



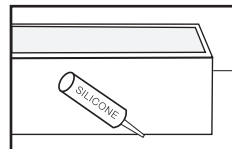
- Level the feet of the tub. Lock the bathtub legs into position by tightening the adjoining nut once an accurate level is confirmed.



- Apply silicone to the feet of the bathtub that stands on the floor.



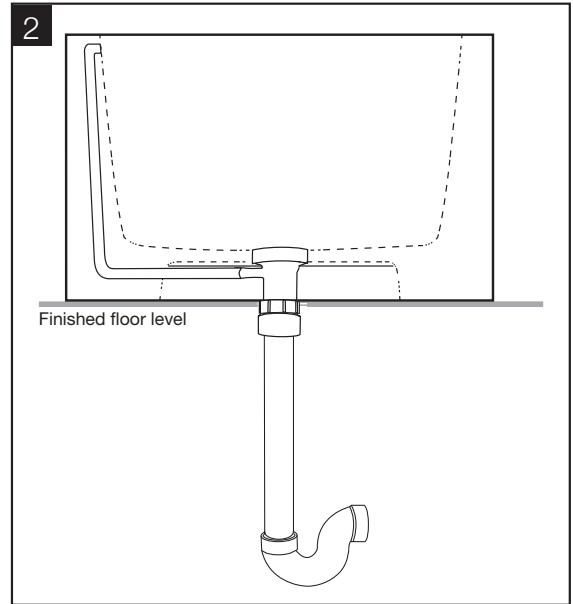
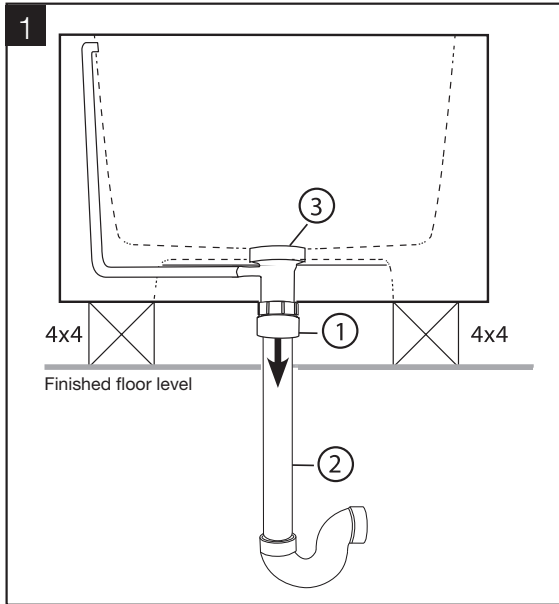
- When the installation is completed, the bathtub is taken down from the supports. (ie 2 x 4's)



If necessary, installation is completed by applying silicone at several points between the bottom panel and floor.

Note: any remaining protective packaging should be removed only after the bathtub installation and other construction work in the bathroom is fully finished.

Drain Plumbing Installation



- Place the bathtub by raising it up 3½" with 4x4 pieces of lumber so you can have access from underneath the bottom of the tub. **(fig.1)**
- From the bottom of the bathtub, tighten the rings of the drain (1) to the drain (3) (don't forget to use the seal washer in between).
- Before placing the bathtub, thread on the Female threaded adapter (2). (Not supplied with the bathtub and must be provided by your plumber).
- Ensure alignment of the drain (3) to the expansion joint (1).
- Move the bathtub down slowly by removing the pieces of lumber. **(fig.2)**
- Fill the bathtub with water to test and let drain out.
- From underneath the tub, make sure that all the joints are tested and watertight.
- Fill the spaces with silicone.
- Let bathtub stand for at least 24 hours before use.

Prepare the Tail Piece

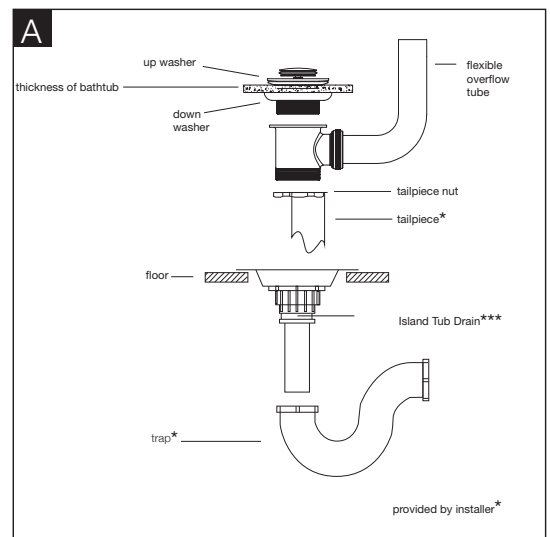
All parts involved in tail piece installation are provided by the installer (Fig. A)

Waste drain must always be installed according to local standard. Verify the placement of the bathtub before drilling the hole for the waste drain.

- Install 1½" rubber slip gasket over the waste drain.
- Alternatively, Blu Bathworks recommends BTWaste.RN or BTWasteCI.RN Island Tub Drain for easy installation of freestanding bathtubs. (Provided by installer or customer)
- Cut tail piece to desired length (will vary for each installation)
- Slide tail piece nut over tail piece towards flanged end.
- Place flange washer on top of tail piece.
- Connect tail piece assembly to waste drain.

*** Island Tub Drain Installation

Refer to BTWaste.RN/BTWasteCI.RN Installation Guide



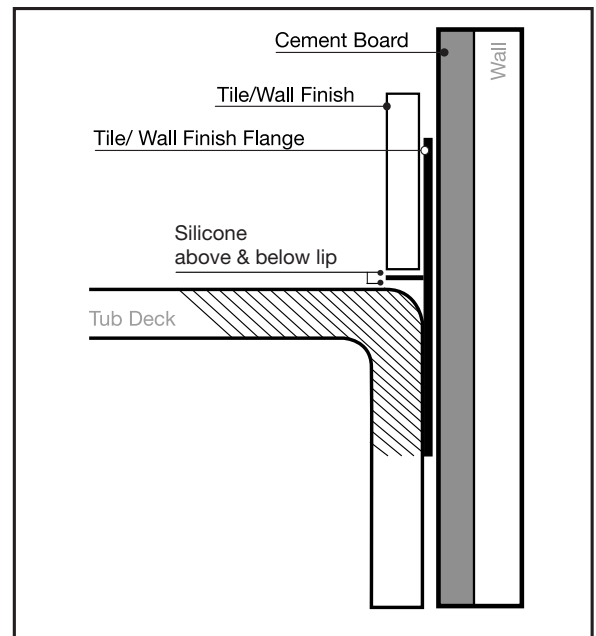
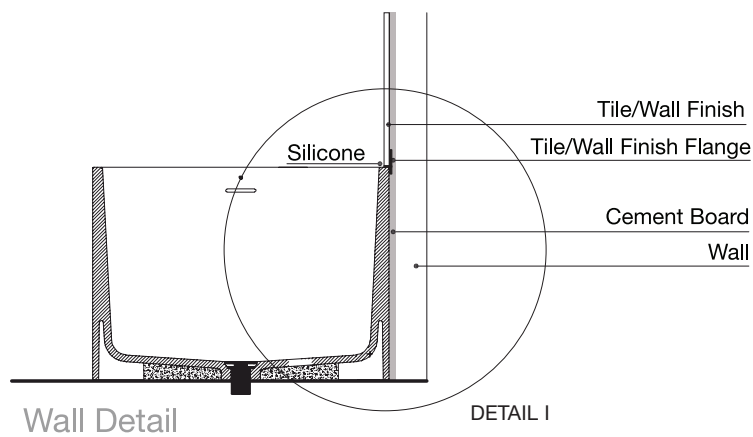
Alcove Installation using Tile Flange

BT8001 · BT8005 · BT8007

In order to maintain the symmetry of these narrow rim tub models in an alcove installation, the following points & illustration are provided below.

1. Determine wall finish material and its thickness
2. Install tile flange on corner edge of bathtub using high density silicone above and below lip of TF.BTSB tile flange as shown in Detail I (exploded)
3. Install bathtub
4. Install wall finish
5. Apply a clear silicone bead where the tub and wall finish meet at the flange location

**Blu Bathworks recommends TF.BTSB Tile Flange (Sold separately)

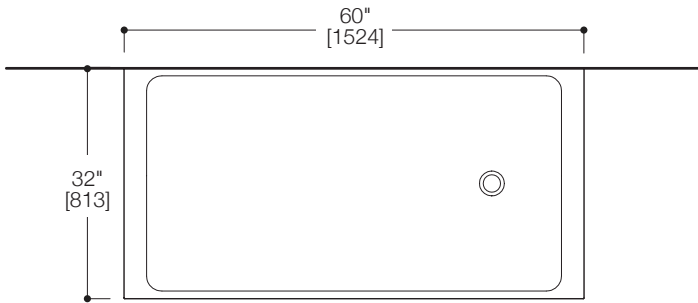


DETAIL I (exploded)

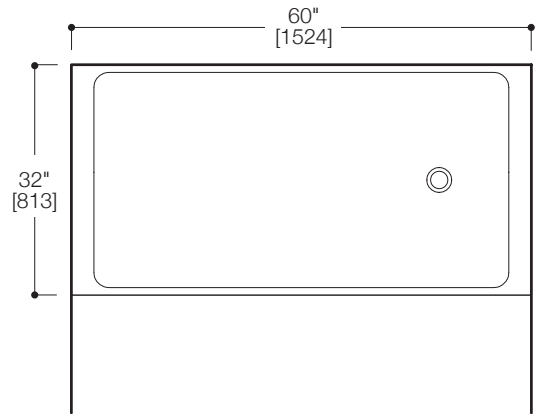
Alcove Installation Examples

BT8001

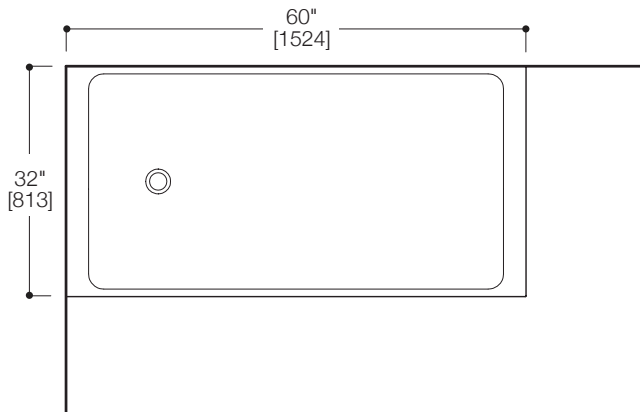
PENINSULAR



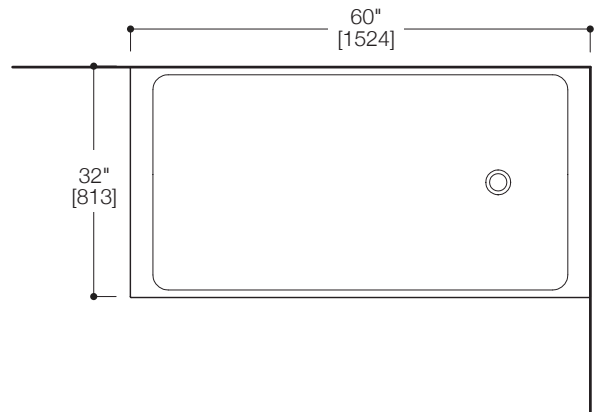
ALCOVE

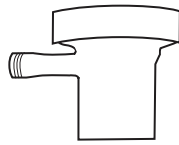


LEFT CORNER

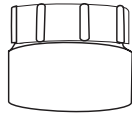


RIGHT CORNER

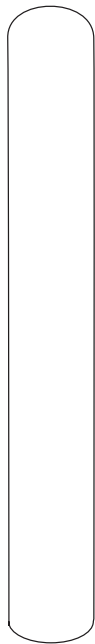




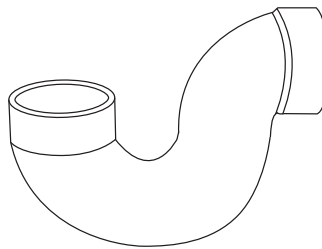
- Waste Drain (provided)



- 1 1/2" Female Adapter*



- 1 1/2" ABS Pipe* (cut to length)



- 1 1/2" ABS Trap*

* Provided by plumber

Acrylic Tub Care and Maintenance

- Acrylic tubs require more frequent washing than other tubs. Once a week is usually appropriate.
- Use plain dishwashing liquid with plenty of hot water.
- Use vinegar. This is great for hard water build-up. Spray a mixture of water and vinegar onto the affected areas and let it sit for 30-45 minutes.
- Scrub the affected areas and then rinse off with warm water. Be sure to use soft sponges.
- You want to avoid abrasive cleaning pads or other products with fine grit.
- Use soft cleaners are the key here, since acrylic is easily scratched.
- Try bathroom cleaning products like Soft Scrub to remove stains from your acrylic tub.
- Avoid pumice stones and scouring pads.
- If the previous steps did not help to enhance the gloss finish, you can use a car polish wax on the area using a soft cloth; spread small amounts over the area in need of refinishing. Remove excess polish and wax with a clean cloth. Allow the wax to dry; repeat as necessary until shine is restored.