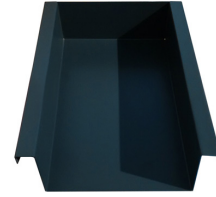


F45AC-01 SPECIFICATIONS

drawer filler for 45° double vanities

FEATURES:

- Drawer filler designed to slot into the slim inner drawer of series 1400 and 1800 45° collection vanities
- Provides additional storage space when plumbing clearance is not required
- Solid rust-free painted powder frame construction



SPECIFICATIONS:

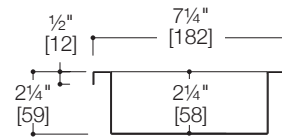
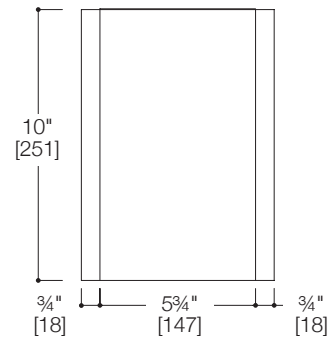
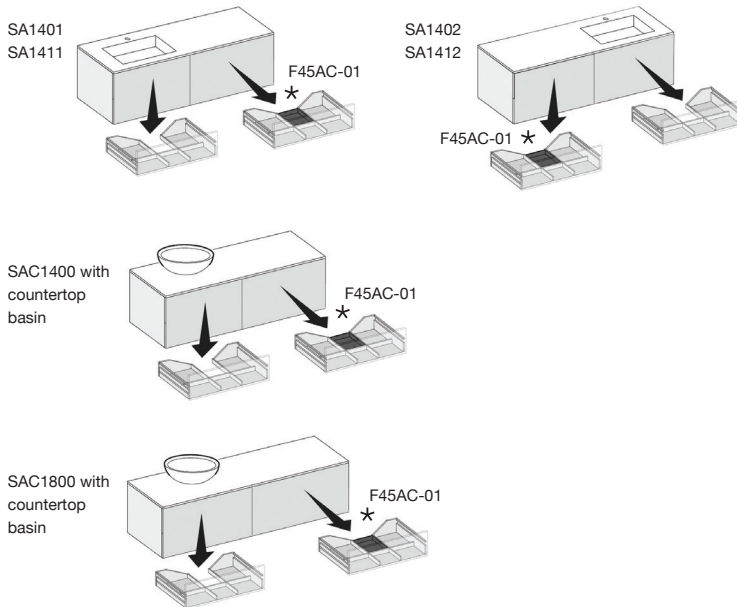
Dimensions: (WHD) 7¼" x 2¼" x 10"
(182mm x 59mm x 251mm)*

Warranty: Five Year Limited Warranty (Residential)
One Year Warranty (Commercial)

Material: Metal

FINISH/COLOR:

- Dark grey



*Approximate measurements for comparison only.
Note: These dimensions and specifications are subject to change without notice.