

FEATURED MODEL

442052 METALLIC GRAY & STAINLESS DUAL FINISH

ADDITIONAL MODELS

- 442047 STAINLESS Finish
- 442048 CHROME
- 442049 ANTHRACITE & STAINLESS DUAL FINISH
- 442050 CAFE BROWN & STAINLESS DUAL FINISH
- 442051 CINDER & STAINLESS DUAL FINISH
- 442053 TRUFFLE & STAINLESS DUAL FINISH
- 442054 WHITE & STAINLESS DUAL FINISH

FEATURES

- Solid brass body
- Will fit all Blanco faucet holes
- Custom finishes match Blanco faucets
- Compliments the ARTONA faucet series
- 12 ounce capacity

COMPLIMENTS THESE FAUCETS:

- ARTONA Pull Down 2.2 gpm: 442026 METALLIC GRAY & STAINLESS
- ARTONA Pull Down 1.5 gpm: 442034 METALLIC GRAY & STAINLESS
- ARTONA Bar Faucet 2.2 gpm: 442042 METALLIC GRAY & STAINLESS

WARRANTY

BLANCO'S soap dispensers feature a LIMITED 1 YEAR WARRANTY to be free of all manufacturing defects under normal use. See our complete warranty for details.

While BLANCO endeavors to provide accurate information, all dimensions are nominal, cannot be guaranteed, and are subject to change or cancellation. BLANCO assumes no responsibility for use of superseded or voided specifications.

JOB INFORMATION

Job Name: _____

Contact: _____

Date Specified: _____

Specifier: _____

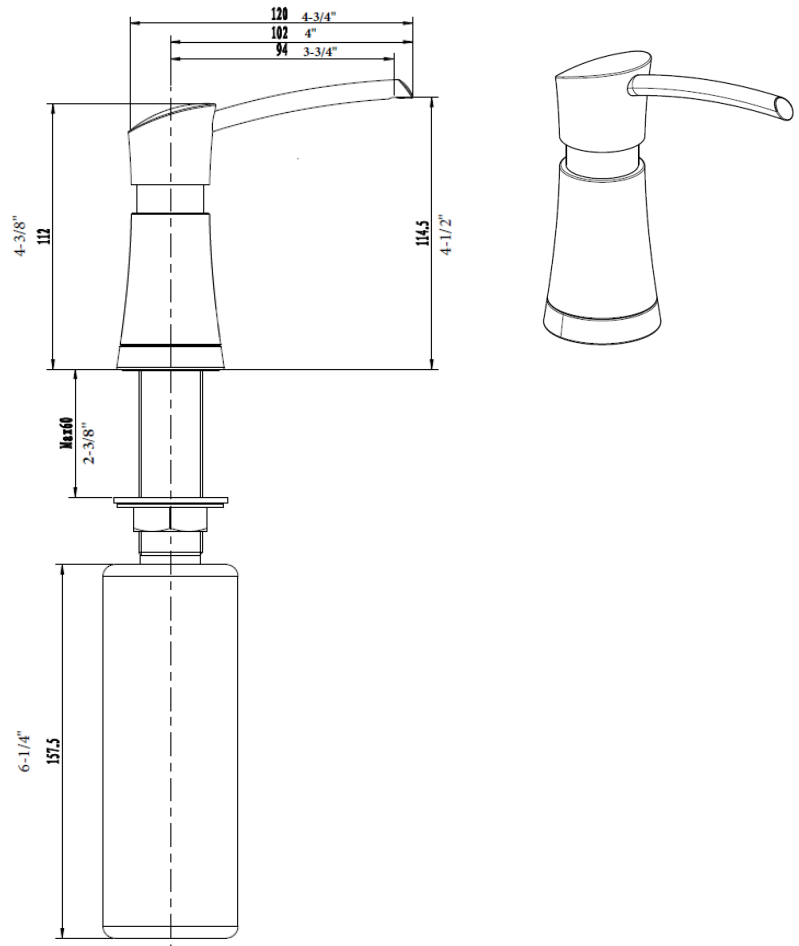
Contractor: _____



Model 442049 shown

NOMINAL DIMENSIONS

REACH	HEIGHT	TOTAL HEIGHT
4"	4-3/8"	4-3/4"



See next page for exploded parts drawing and parts list.

BLANCO AMERICA

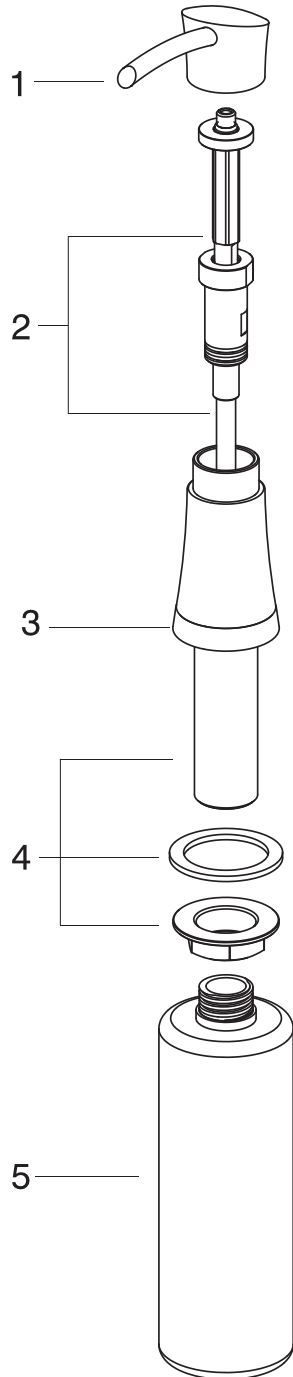
800.451.5782

www.blancoamerica.com

© 2016 BLANCO AMERICA

1/16

SPEC-001



REPAIR PART GUIDE

Num.	Description	Part #
1	Dispenser - Chrome	442140
1	Dispenser - Stainless	442144
2	Pump Kit	442141
3	Base Kit - Chrome	442142
3	Base Kit - Stainless	442145
4	Installation Kit	442143
5	Bottle	441963