

ORIGAMI 7236 ORIGINAL SERIES

72" x 36" x 22"

The traditional Japanese art of folding paper into symbolic shapes is the inspiration behind the Origami Collection, which stands out for its clean lines and versatility.



PRODUCT NO.

MODEL	TMU	TUB
4" deck	BOOSRI00T-XX	BOOSRI00N-XX
2" deck	BOOSRI20T-XX	BOOSRI20N-XX
Slim deck	BOOSRI10T-XX	BOOSRI10N-XX

THERMOMASSEUR (TMU) Hydro-thermo massage • Air jet system	\$6,700
Jets	42
1 heated backrest	Included
MiaPlus® Control	Included
BU-Touch Control Application BUTOUCH	\$430
Geysair®	Included
AromaCloud®** BAROMAC	\$490
AromaFlow*** BAROMAF NEW	\$950
Illuzio Chromatherapy BCHRO6	\$925
2 nd heated backrest (WTS-1 zone) BSHB	\$1,125

TUB Soaker	\$3,635
AromaCloud®** BAROMAC	\$490
AromaFlow*** BAROMAF NEW	\$950
Illuzio Chromatherapy BCHRO6	\$925
WarmTouchShell® BWTS	\$1,125
DOT control	Included with therapy
2 nd WarmTouchShell® BWTS2	\$370

FEATURES			
Installation type	Drop-in: 1/2", 2" & 4" & Alcove (3 walls): 2"		
No. of bathers		Imp. gallons	54
US gallons	64		
STANDARD COLOR			
		Included	
White 01	Biscuit 02		

OPTIONS (UPCHARGE APPLICABLE)

FINISH		
UltraVelour Matte Finish (white only) BVEL1		\$650
UNIVERSAL ARMRESTS BGBGU-XX		
White 01		\$750
SKIRT (2" deck only)		
	MULTIFIT BSMUL-XX	SJ-1 BSJ1-XX
White 01 , Biscuit 02	\$600	\$715
TILE FLANGE (with 2" deck only) (specify front or back)		
Ordered with bath (not installed) BTILEN		\$79
Factory-installed. Front BTILEF , Back BTILEB , Special installation BTILEO		\$155
WASTE & OVERFLOW		
	16" x 35" BOVER16-XX	INTE-GRATED BOVERIN-XX
Chrome 07	\$260	\$235
White 01 , Biscuit 02	\$290	\$235
Matte White with UltraVelour finish 32	N/A	\$235
Brushed Nickel 09 , Polished Nickel 10	\$400	\$235
Oil-rubbed Bronze 11	\$400	N/A
Matte Black 19 , Satin Brass 18	N/A	\$355
IF REQUIRED BY CONSTRUCTION CODE		
Brass waste & overflow kit** BDRCOB		\$240
Brass waste kit** BDRCB		\$60
16" x 35" Cable driven brass waste & overflow kit BOVERBR		\$240

Don't forget to indicate the deck height (1/2", 2" or 4").
Slim deck are available for Drop-in installation only.
* The AromaCloud® is built into the deck (factory installed).
** When ordered with integrated waste & overflow.
*** When ordering an AromaFlow, an Integrated waste & overflow is mandatory (Upcharge). Specify the finish of the waste.



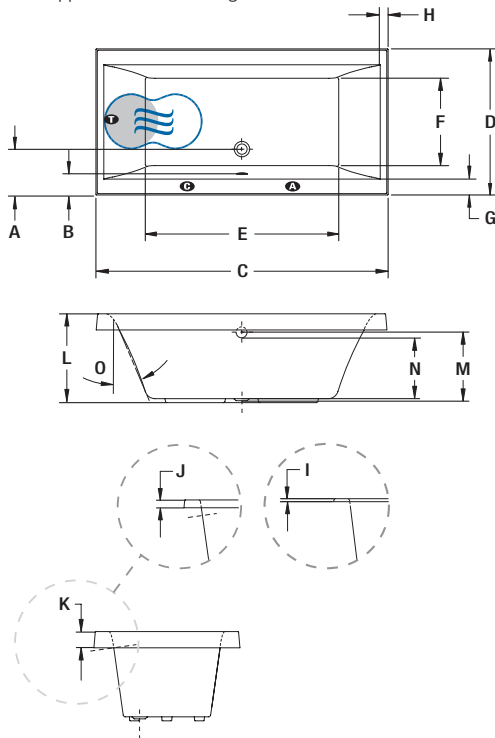
ORIGAMI 7236 ORIGINAL SERIES



4" deck

INSTALLATION

A When tile flange is added, the AromaCloud® will automatically be installed on the opposite side of the flange.



LETTER	DESCRIPTION	MEASURE
A	Outside edge to center drain	11 1/4"
B	Outside edge to overflow	4 5/8"
C	Total length (with slim deck height)	71 1/4"
	Total length (with 2" deck height)	71 5/8"
	Total length (with 4" deck height)	72"
D	Total width (with slim deck height)	35 1/4"
	Total width (with 2" deck height)	35 5/8"
	Total width (with 4" deck height)	36"
E	Bathing well length	48 1/8"
F	Bathing well width	22"
G	Deck width	4 3/8"
H	Deck width at backrest ends	1 3/4"
I	Height from bottom of deck to top deck	1/2"
J	Height from bottom of deck to top deck	2"
K	Height from bottom of deck to top deck	4"
L	Height from bottom of bath to top deck	22"
M	Height from bottom of drain to center of overflow	17 3/4"
N	Maximum water level (Waste & overflow 16" x 35")	16"
	Maximum water level (Integrated waste & overflow)	17"
	Maximum water level with AromaFlow	16 1/2"
O	Slope of backrests	24°

- A** AromaCloud® position
- G** Control position when factory-installed (Mia® or DOT)
- T** Turbine position (TMU)
- Indicates heated backrest (TMU)
- ☁ Indicates WarmTouchShell® position (TUB)

TECHNICAL SPECIFICATIONS

Hot water supply required	The hot water supply should be 70% or more of the bath's total water capacity.
Turbine	Access to the pump must be at least 18" x 22". Standard connection is 20 A, 120 V, 60 Hz , dedicated line with a Ground-Fault Circuit Interrupter (GFCI). For any additional option, a second line is needed 15 A, 120 V, 60 Hz , dedicated line with a GFCI. Air vent necessary: 2" x 4" minimum.
Others	- The Geysair® is located on the same side as the heated backrest. It must NOT be relocated . It must be connected to the hot water supply and be accessible (provide access). - Optional tile flange with 2" deck height only (specify front or back). - The water level will vary when an AromaFlow or an Integrated waste & overflow is installed.

Our products must be installed by certified professionals only and according to our Owner's Manual as well as federal, provincial/state and local building codes and regulations (www.bainultra.com/dealers/dealer-documentation-and-catalog).

Cutting template	# 90000047
Approx. shipping weight	137 lb
Turbine power	550 W
Air heater	600 W
WARRANTY	
Controls-LED-Geysair*	5 years
Bath & turbine*	20 years

* Some restrictions apply | www.bainultra.com/warranty

The specifications shown indicate the outer edge dimension and the inside bathing capacity dimension measured at air jets' height. The manufacturer accepts a 1/4" [0.64 cm] variance. There are variations on each product and specifications are subject to change as we improve upon our product as required. The dimensions needed for site preparation and structure building will differ. BainUltra® assumes no responsibility for preparatory work done prior to the product being on site.