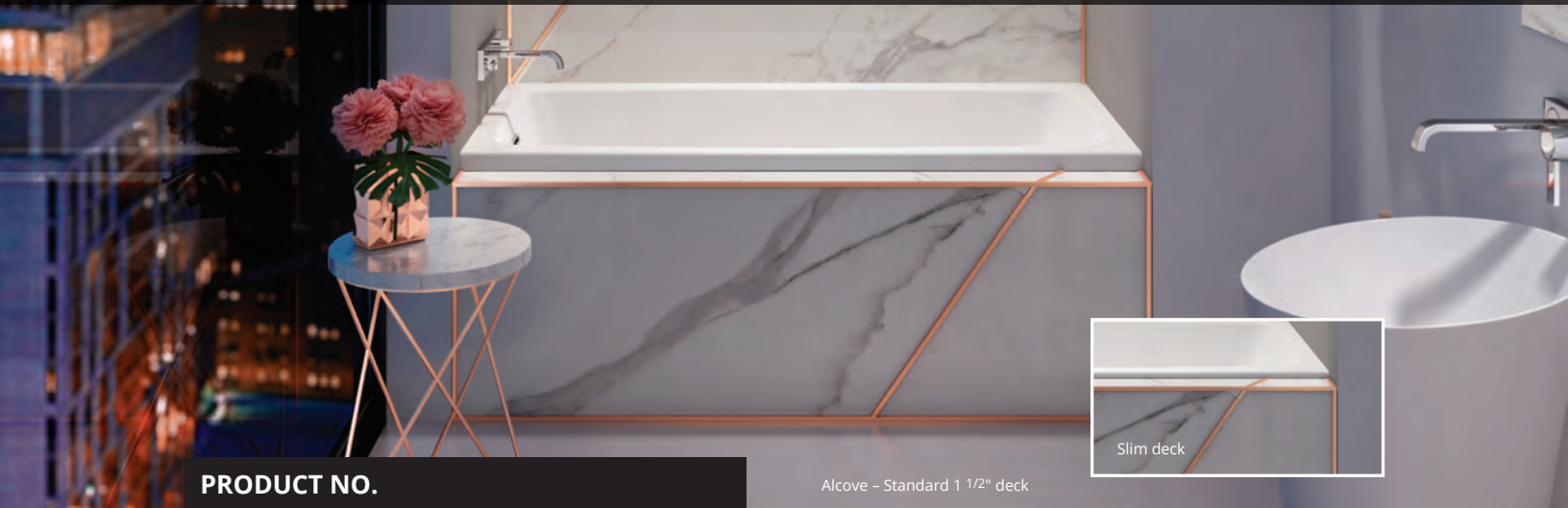


VIBE 6030

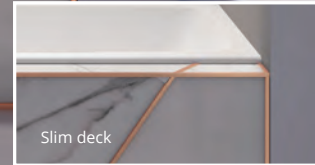
60" x 30" x 19"

Vibe is a collection of therapeutic bathtubs with minimalist and contemporary flair. The collection is perfect for urban city dwellers who want to bring value and refinement to smaller bathrooms.



PRODUCT NO.

Alcove – Standard 1 1/2" deck



MODEL	TMU	TUB
Drop-in Standard 1 1/2" deck	BVIBRD00T-XX	BVIBRD00N-XX
Alcove – Left Standard 1 1/2" deck	BVIBRB0LT-XX	BVIBRB0LN-XX
Alcove – Right Standard 1 1/2" deck	BVIBRB0RT-XX	BVIBRB0RN-XX
Slim deck	BVIBRD10T-XX	BVIBRD10N-XX
Slim deck – Left	BVIBRB1LT-XX	BVIBRB1LN-XX
Slim deck – Right	BVIBRB1RT-XX	BVIBRB1RN-XX

THERMOMASSEUR (TMU) Hydro-thermo massage • Air jet system	\$4,895
Jets	40
1 heated backrest	Included
MiaPlus® Control	Included
BU-Touch Control Application BUTOUCH	\$430
Geysair®	Included
AromaFlow* BAROMAF NEW	\$950
Illuzio Chromatherapy BCHRO6	\$925

TUB Soaker	\$2,435
AromaFlow* BAROMAF NEW	\$950
Illuzio Chromatherapy BCHRO6	\$925
WarmTouchShell® BWTS	\$1,125
DOT control	Included with therapy

FEATURES			
Installation type		Drop-in & Alcove (3 walls)	
No. of bathers		Imp. gallons	36
US gallons	44	Integrated tile flange	Included
INTEGRATED WASTE & OVERFLOW BOVERINI-XX			
White 01 , Biscuit 02 , Chrome 07 , Brushed Nickel 09 , Polished Nickel 10 , Matte White with UltraVelour finish 32		Installed & Included	
STANDARD COLOR			
		Included	
White 01	Biscuit 02		

OPTIONS (UPCHARGE APPLICABLE)

FINISH

UltraVelour Matte Finish (white only) [BVE1](#) \$650

UNIVERSAL ARMRESTS [BGBGU-XX](#)

White [01](#) \$750

SKIRT MULTIFIT (standard 1 1/2" deck only) [BSMUL-XX](#)

White [01](#), Biscuit [02](#) \$600

INTEGRATED WASTE & OVERFLOW [BOVERINI-XX](#)

Matte Black [19](#), Satin Brass [18](#) \$120

IF REQUIRED BY CONSTRUCTION CODE

Brass waste & overflow kit [BDRCOB](#) \$240

Brass waste kit [BDRCB](#) \$60



Don't forget that an integrated tile flange is available at no extra cost.

You must specify drain position (right or left).

With the control on the deck, a complete shower door cannot be installed.

Don't forget to specify the finish of the integrated waste & overflow.

Don't forget to specify the deck height (1 1/2" or 1 1/2").

* When ordering an AromaFlow, an Integrated waste & overflow

is mandatory (Included). Specify the finish of the waste.



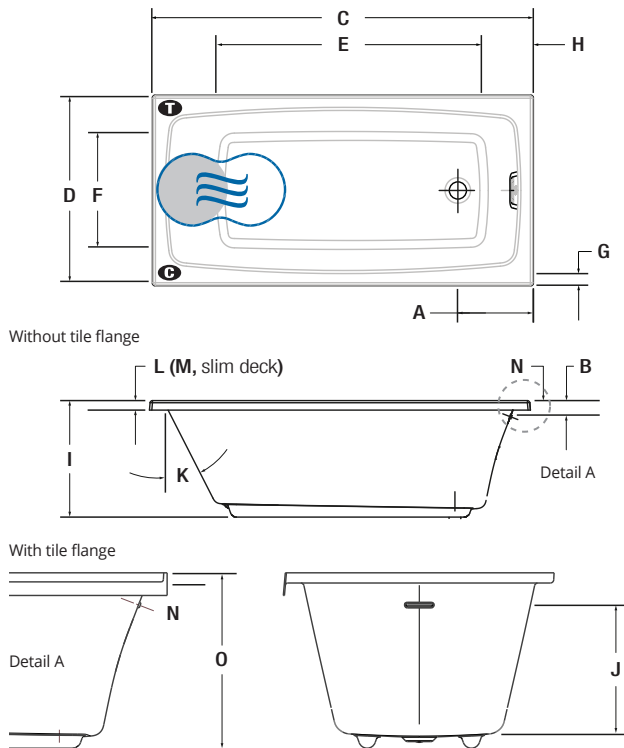
VIBE 6030



Drop-in - Standard 1 1/2" deck

INSTALLATION

Control should always be installed on the opposite side of the tile flange



LETTER	DESCRIPTION	MEASURE
A	Outside edge to center drain	10 7/8"
B	Outside edge to center of overflow	2 1/2"
C	Total length	60"
D	Total width	30"
E	Bathing well length	44"
F	Bathing well width	19 1/8"
G	Deck width	1 7/8"
H	Deck width at drain end	2"
I	Height from bottom of bath to top deck	18 1/2"
J	Maximum water level Maximum water level with AromaFlow	14 5/16" 12 1/2"
K	Slope of backrest	27°
L	Height from bottom of deck to top std deck	1 1/2"
M	Height from bottom of deck to top slim deck	1/2"
N	Tile flange height	1"
O	Height of bath from bottom of bath to top of tile flange	19 1/2"

- G** Control position when factory-installed (Mia® or DOT)
- T** Turbine position (TMU)
- Indicates heated backrest (TMU)
- ☉ Indicates WarmTouchShell® position (TUB)

TECHNICAL SPECIFICATIONS

Hot water supply required	The hot water supply should be 70% or more of the bath's total water capacity.
Turbine	Access to the pump must be at least 18" x 22". Standard connection is 20 A, 120 V, 60 Hz, dedicated line with a Ground-Fault Circuit Interrupter (GFCI). For any additional option, a second line is needed 15 A, 120 V, 60 Hz, dedicated line with a GFCI. Air vent necessary: 2" x 4" minimum.
Others	<ul style="list-style-type: none"> - The Geysair® is located on the same side as the heated backrest. It must NOT be relocated. It must be connected to the hot water supply and be accessible (provide access). - Turbine must be remotely installed in certain conditions. - Integrated tile flange is included (specify right or left). - The water level will be lower when an AromaFlow is installed.

Our products must be installed by certified professionals only and according to our Owner's Manual as well as federal, provincial/state and local building codes and regulations (www.bainultra.com/dealers/dealer-documentation-and-catalog).

Cutting template	# 90000078
Approx. shipping weight	200 lb
Turbine power	550 W
Air heater	600 W
WARRANTY	
Controls-LED-Geysair*	5 years
Bath & turbine*	20 years

* Some restrictions apply | www.bainultra.com/warranty

The specifications shown indicate the outer edge dimension and the inside bathing capacity dimension measured at air jets' height. The manufacturer accepts a 1/4" [0.64 cm] variance. There are variations on each product and specifications are subject to change as we improve upon our product as required. The dimensions needed for site preparation and structure building will differ. BainUltra® assumes no responsibility for preparatory work done prior to the product being on site.