



California Faucets®

CHRISTOPHERGRUBB Collection

Trousdale™

Roman Tub Set

C108

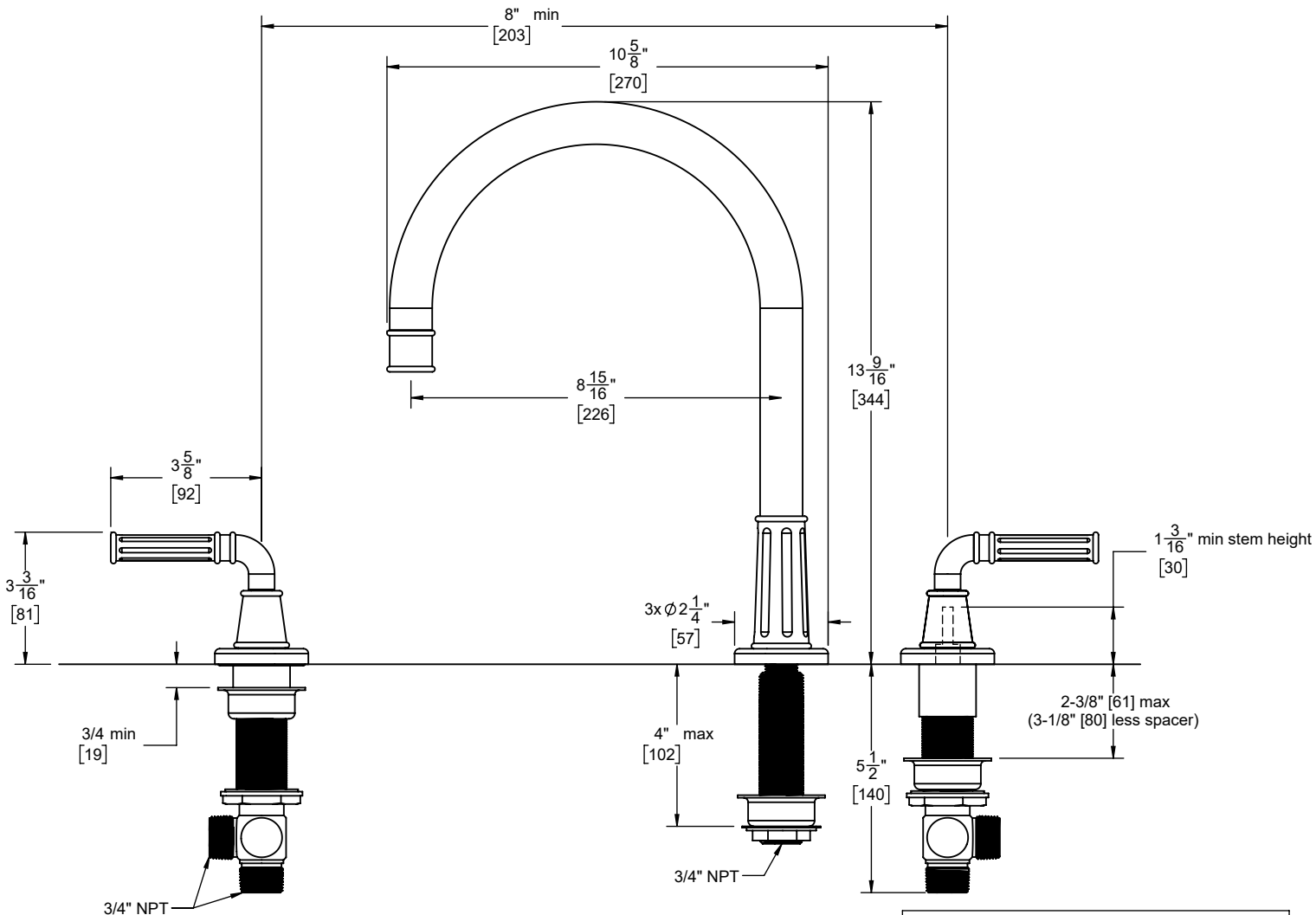
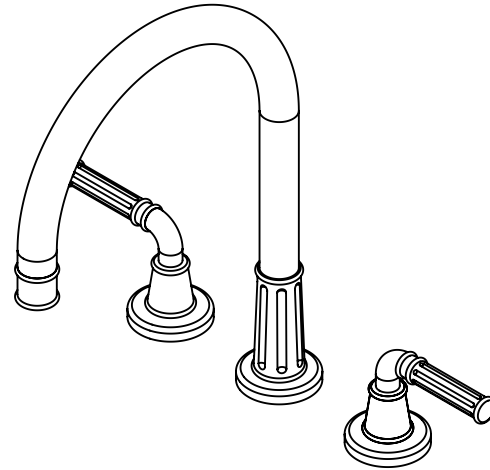
Features

- Available in 28 finishes including 13 PVD finishes
- All brass construction
- Max flow rate: 16 gpm (60.6 L/min)
- Includes rough in valves
- 1/4 turn ceramic disc cartridge(s)

Codes/Standards Applicable

Product meets or exceeds the following:

- ASME A112.18.1/CSA B125.1
- Commonwealth of MA
- ADA compliant
- Local codes may require installation of an upstream tempering valve



Through-Hole Specifications			
	Min	Recommended	Max
Spout: \varnothing 1-1/16" [27]	\varnothing 1-3/8" [35]	\varnothing 1-1/2" [38]	\varnothing 1-1/2" [38]
Valve: \varnothing 1-3/8" [35]	\varnothing 1-1/2" [38]	\varnothing 1-1/2" [38]	\varnothing 1-1/2" [38]

Dimensions are inches, rounded to 1/16"
[Dimensions in brackets are mm, rounded to 1mm]

Specifications subject to change without notice