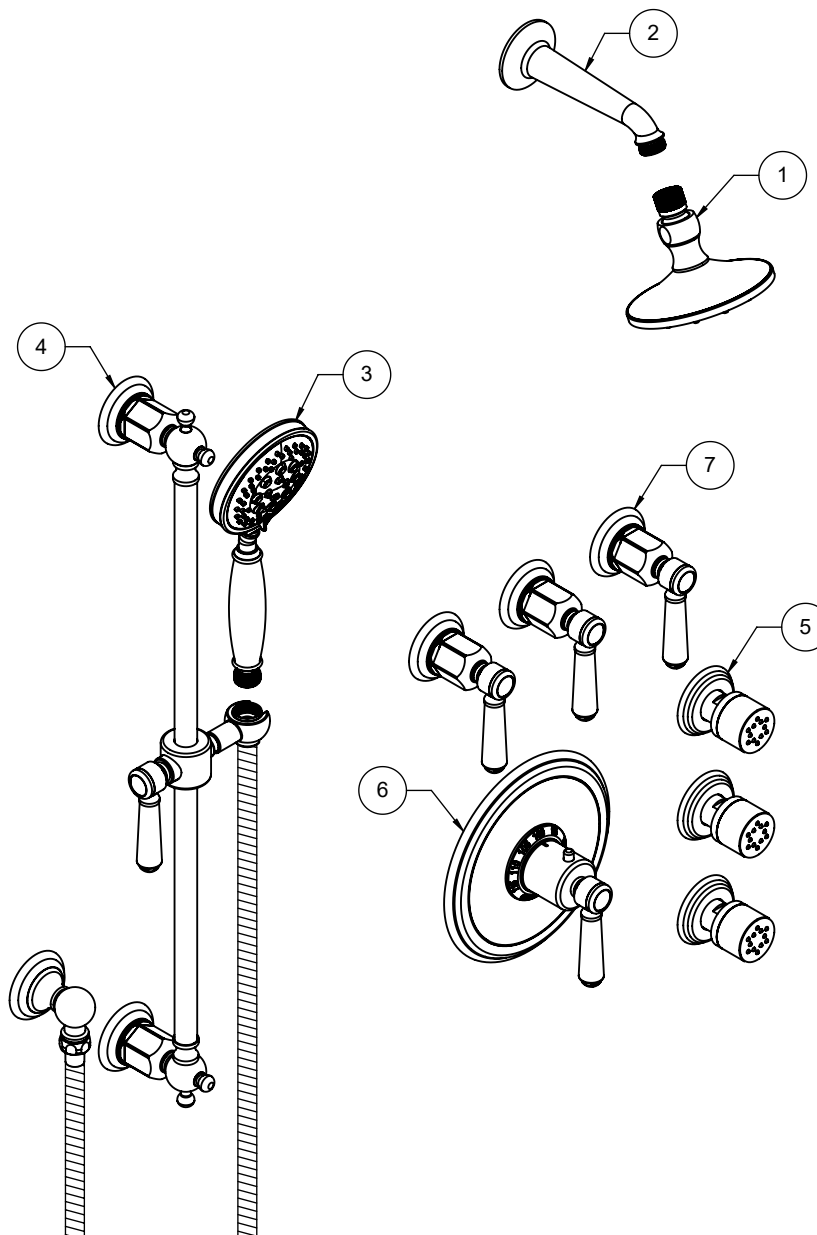




"ZZ" denotes finish, "FR" denotes flow rate

Item	Model	Description	Links
1	SH-43.FR-ZZ	5" 42 Jet Showerhead	Specification Sheet
2	SH-01.6-ZZ	One Piece 6" Shower Arm & Flange	Specification Sheet
3	HS-073.FR-ZZ	4-1/8" Brass Multi-Function Handshower	Specification Sheet
4	9129-33-ZZ	Slide Bar Handshower Kit	Specification Sheet
5	BS-60-ZZ	Self-Cleaning Jet Body Spray	Specification Sheet
6	TO-THN-33-ZZ	StyleTherm® 3/4" Thermostatic Trim Only	Specification Sheet
7	TO-33-W-ZZ	Wall or Deck Handle Trim Only	Specification Sheet





California Faucets®

Showerhead

4-13/16" Diameter Spray Head with 42 Jets

Features

- Available in 28 finishes including 13 PVD finishes
- All brass construction
- Self-cleaning rubber jets
- Replace .FR with desired max flow rate:
 - SH-43.25 for 2.5 gpm
 - SH-43.18 for 1.8 gpm

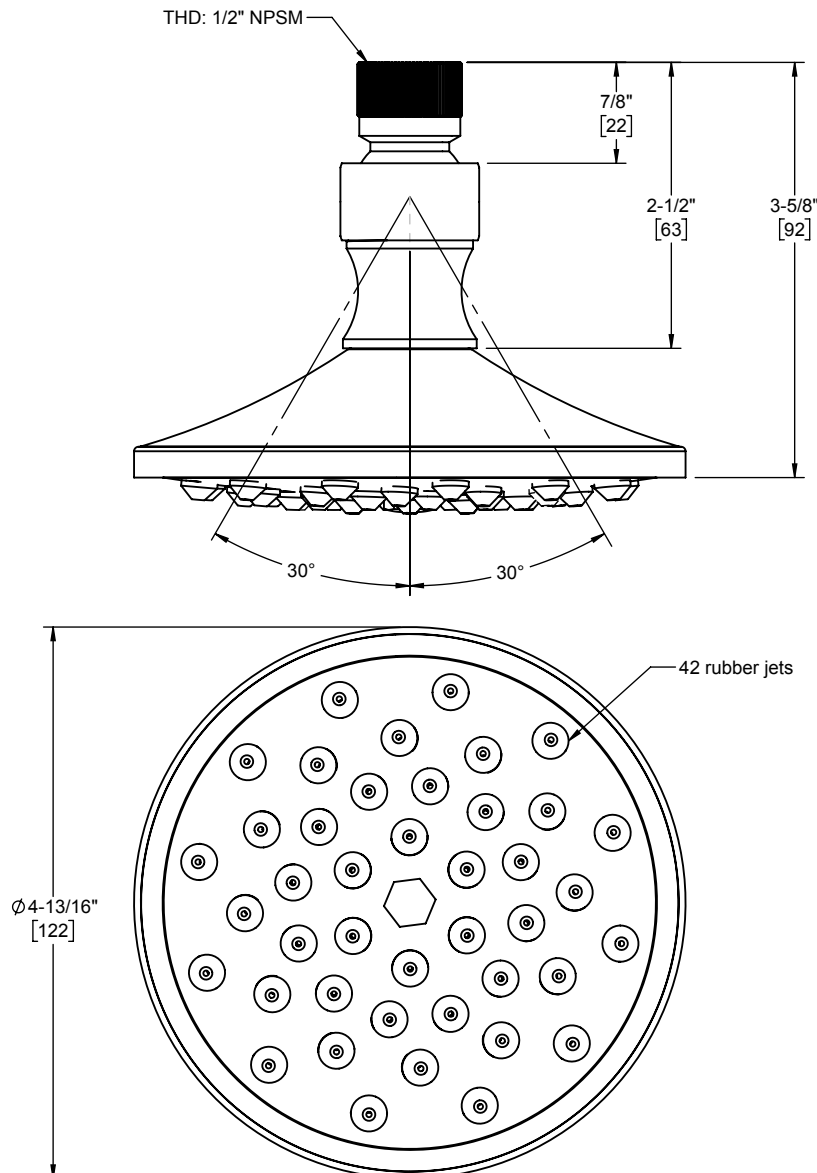
SH-43.25
SH-43.18

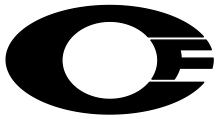


Codes/Standards Applicable

Product meets or exceeds the following:

- ASME A112.18.1/CSA B125.1
- CEC (1.8 gpm)
- DOE (2.5 & 1.8 gpm)
- Commonwealth of MA





California Faucets®

Shower Arm

One Piece 6" Shower Arm & Flange

SH-01.6

Features

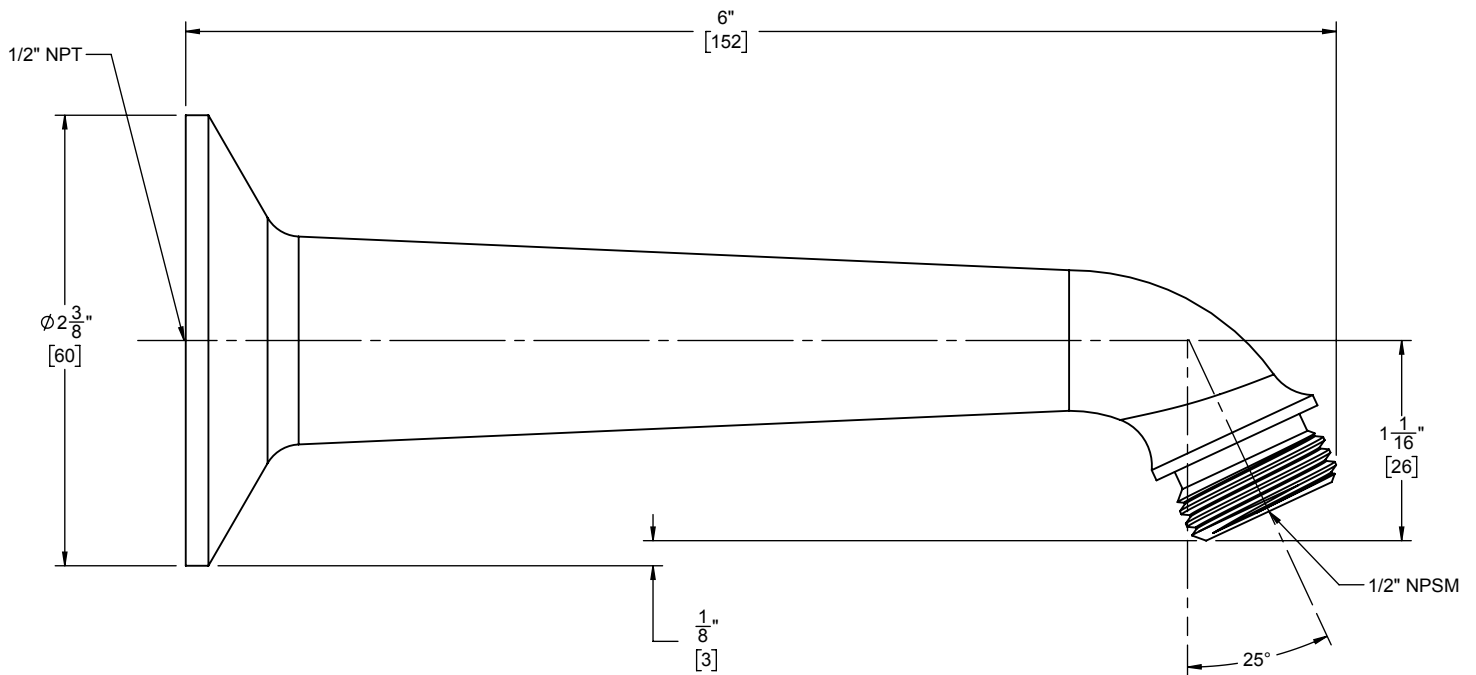
- Available in 28 finishes including 13 PVD finishes
- All brass construction



Codes/Standards

Product meets or exceeds the following:

- ASME A112.18.1/CSA B125.1





California Faucets®

Handshower

4-1/8" MULTI-FUNCTION TRADITIONAL HANDSHOWER

Features

- 1/2" MIP inlet
- 3 function handshower: rain, air, & massage
- Self cleaning rubber jets
- Brass body
- 4-1/8" diameter, gray face
- Replace .FR with desired max flow rate:
 HS-073.25 for 2.5 gpm
 HS-073.20 for 2.0 gpm
 HS-073.18 for 1.8 gpm
- Over 28 finishes including 13 PVD finishes

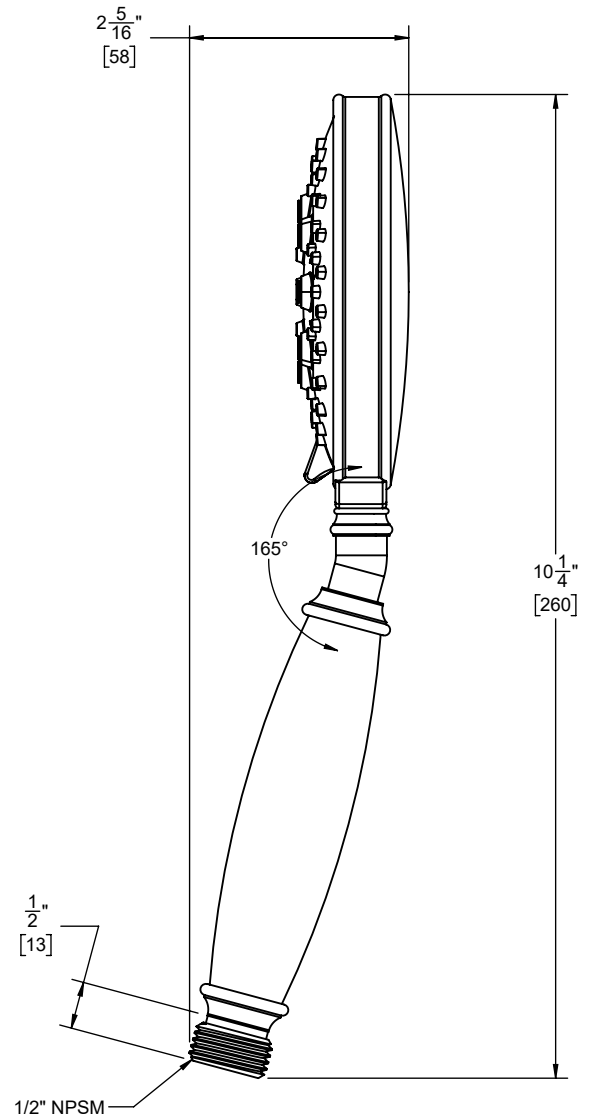
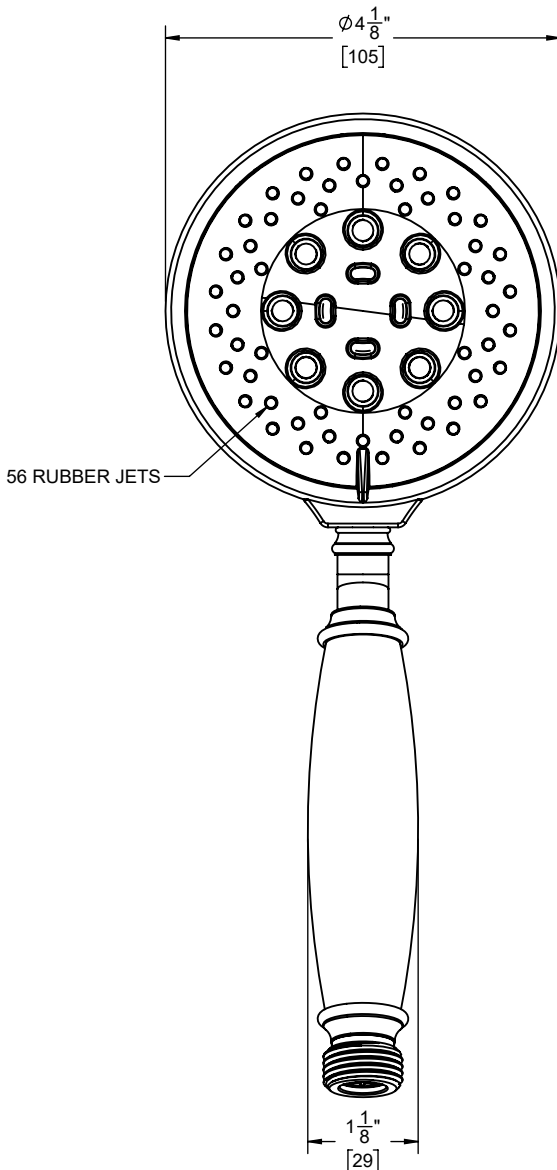
Codes/Standards Applicable

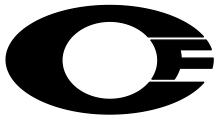
Product meets or exceeds the following:

- ASME A112.18.1/CSA B125.1
- CEC (1.8 gpm)
- DOE (1.8, 2.0, & 2.5 gpm)
- Commonwealth of MA
- EPA WaterSense (2.0 gpm)



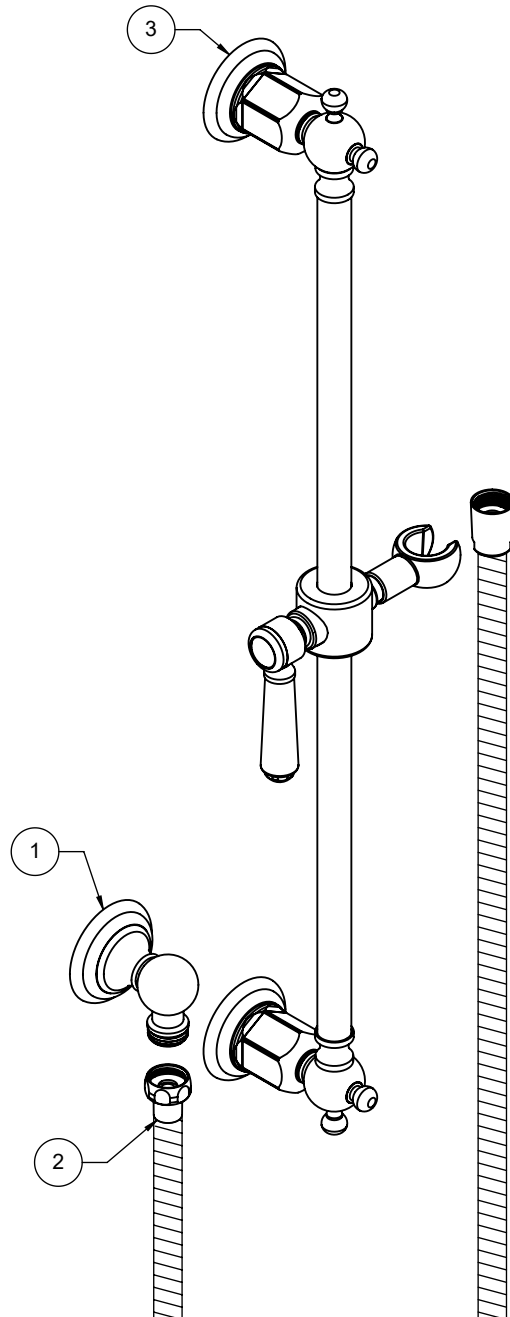
HS-073.18
HS-073.20
HS-073.25





"ZZ" denotes finish

Item	Model	Description	Links
1	SH-10-42-ZZ	Decorative Supply Elbow	Specification Sheet
2	HS-68-ZZ	68" Brass Hose for Handshower	Specification Sheet
3	SB-33-ZZ	Wall Mounted Slide Bar	Specification Sheet





California Faucets®

Body Sprays

Self-Cleaning Jet Body Spray

Features

- Available in 28 finishes including 13 PVD finishes
- All brass construction

BS-60
BS-65
BS-70
BS-77
BS-85

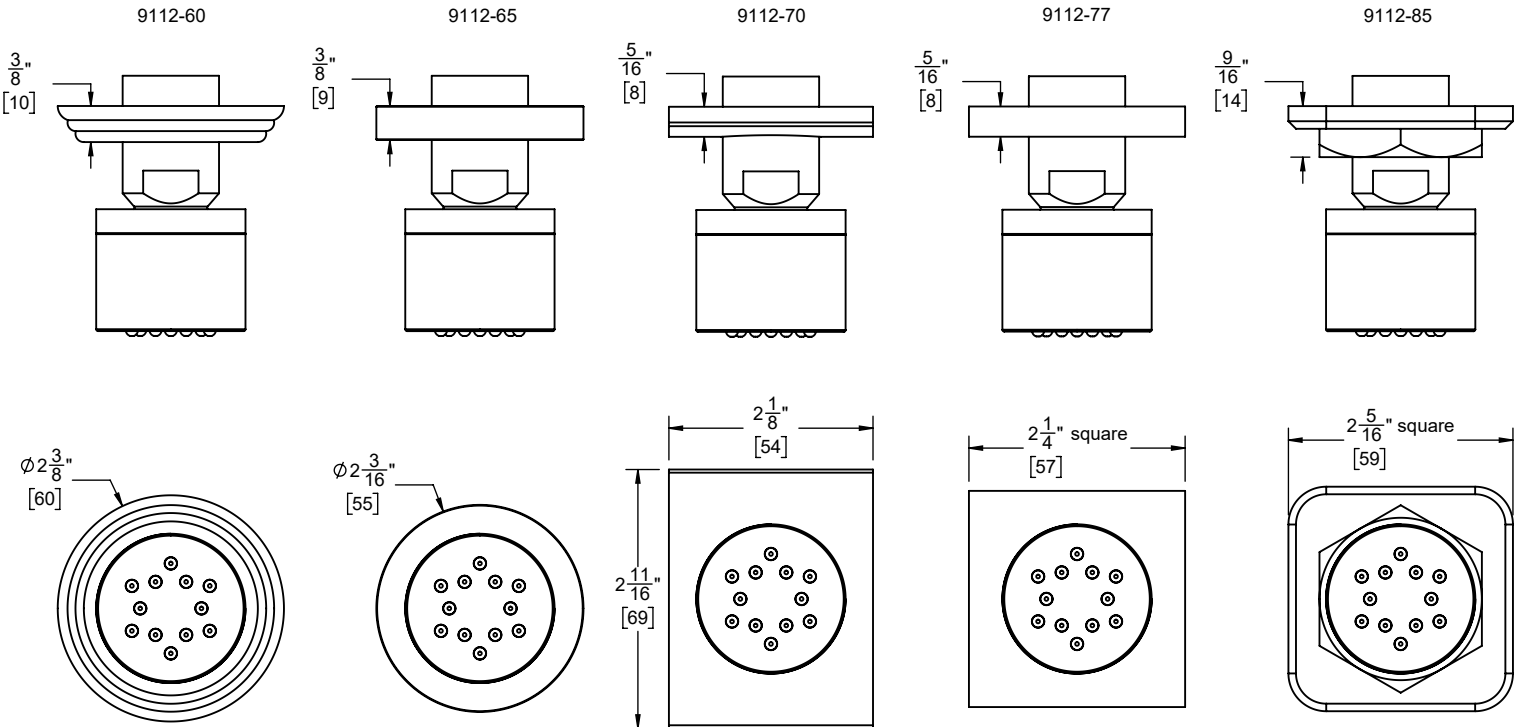
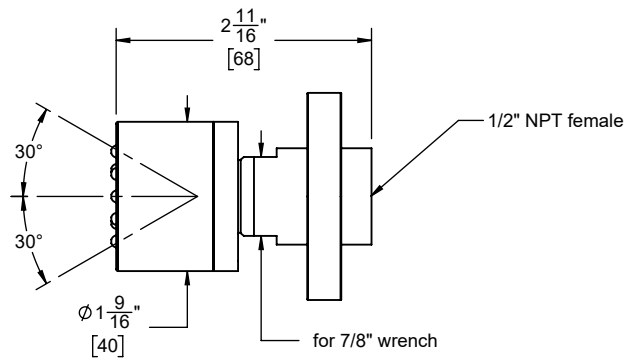


BS-65-PC shown

Codes/Standards

Product meets or exceeds the following:

- ASME A112.18.1/CSA B125.1





California Faucets®

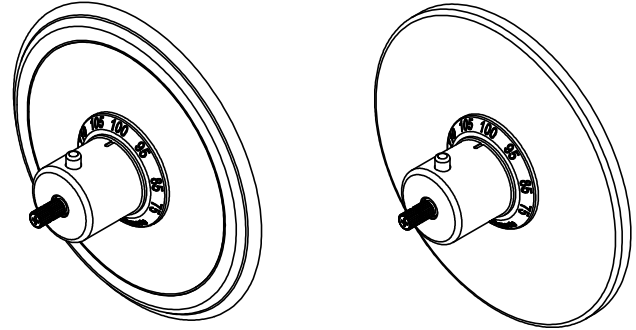
StyleTherm®

3/4" Thermostatic Valve Trim Only

Features

- Over 30 finishes including 11 PVD finishes
- All brass construction
- Contemporary or traditional faceplate
- Engraved brass temperature ring
- 100°F safety stop button with manual override
- Handles to match all California Faucets series
See www.calfaucets.com for complete selection

TO-THN-XX



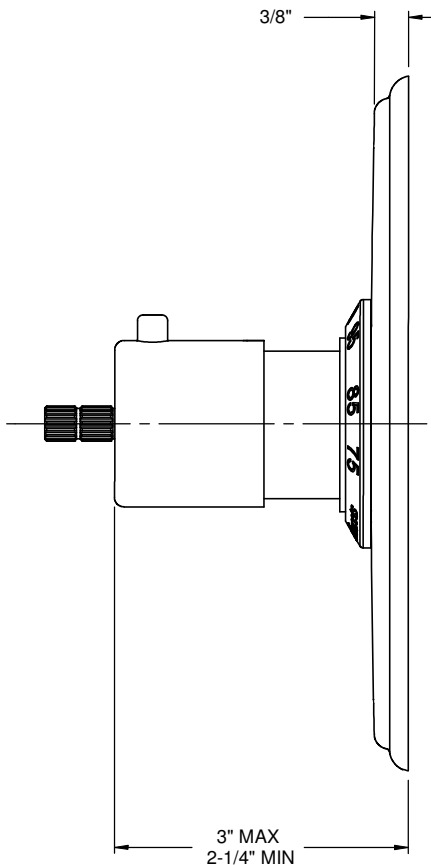
Codes/Standards Applicable

Specified model meets or exceeds the following:

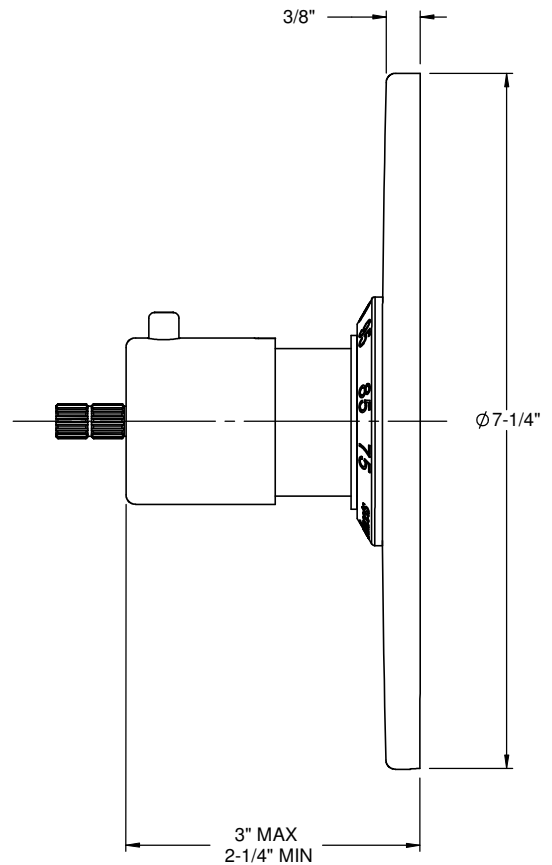
- ASME A112.18.1-2005/CSA B125.1-05
- ASSE 1016
- ADA (with lever handles)
- Listed IAPMO/cUPC®

XX = Series Handle

Traditional Faceplate



Contemporary Faceplate



ALL DIMENSIONS SHOWN TO NEAREST 1/16"



California Faucets®

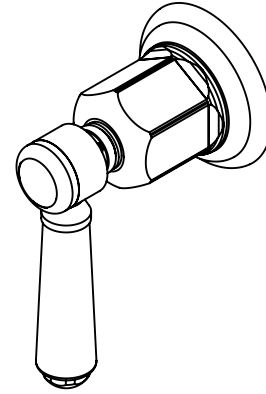
Montecito™

WALL OR DECK HANDLE TRIM ONLY

TO-33-W

Features

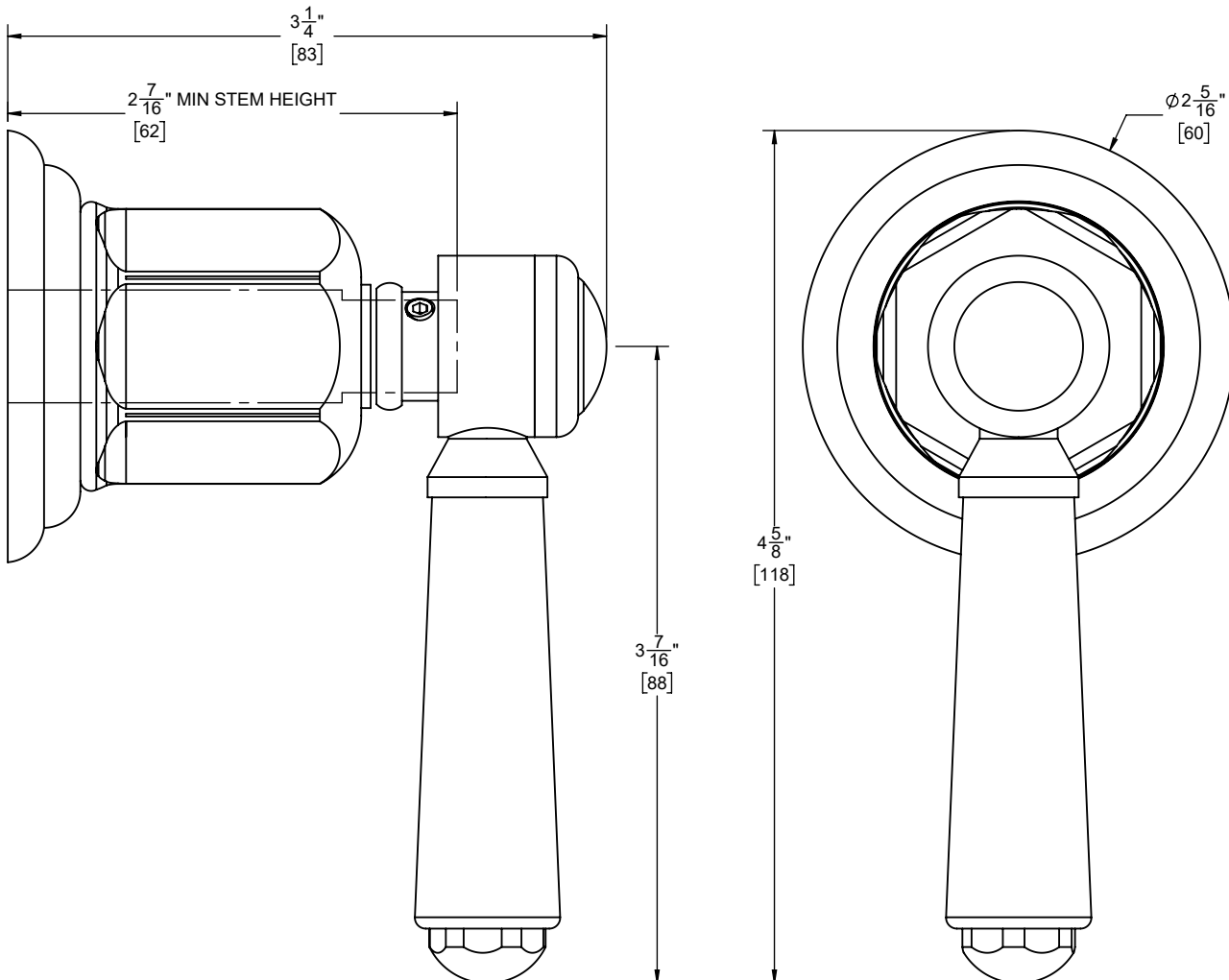
- Available in 28 finishes including 13 PVD finishes
- All brass construction
- Base diameter 2-5/16"
- Use for wall stop, wall diverter or deck diverter
- Rough valve (50-W-R, 75-W-R, WDV-R, DDV-R) sold separately



Codes/Standards Applicable

Product meets or exceeds the following:

- ASME A112.18.1/CSA B125.1
- ADA compliant



THROUGH-HOLE SPECIFICATIONS

MIN	RECOMMENDED	MAX
$\phi 1" [25]$	$\phi 1\text{-}3/8" [35]$	$\phi 1\text{-}1/2" [38]$

DIMENSIONS SHOWN TO NEAREST 1/16"
[DIMENSIONS SHOWN TO NEAREST 1mm]

SPECIFICATIONS SUBJECT TO CHANGE WITHOUT NOTICE