



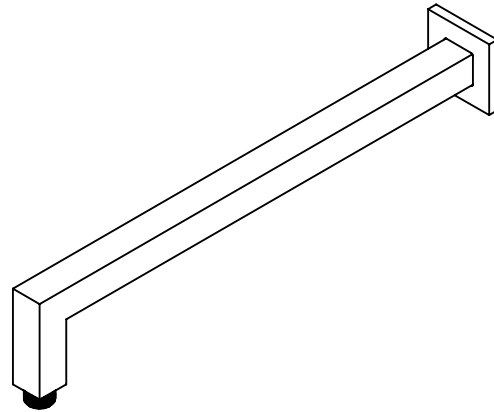
### Features

- Over 30 finishes including 14 PVD finishes
- Solid brass construction
- 1/2 FIP inlet, 1/2 MIP outlet
- 2-1/4" square solid brass flange
- For additional product offerings, see [www.californiafaucets.com](http://www.californiafaucets.com)

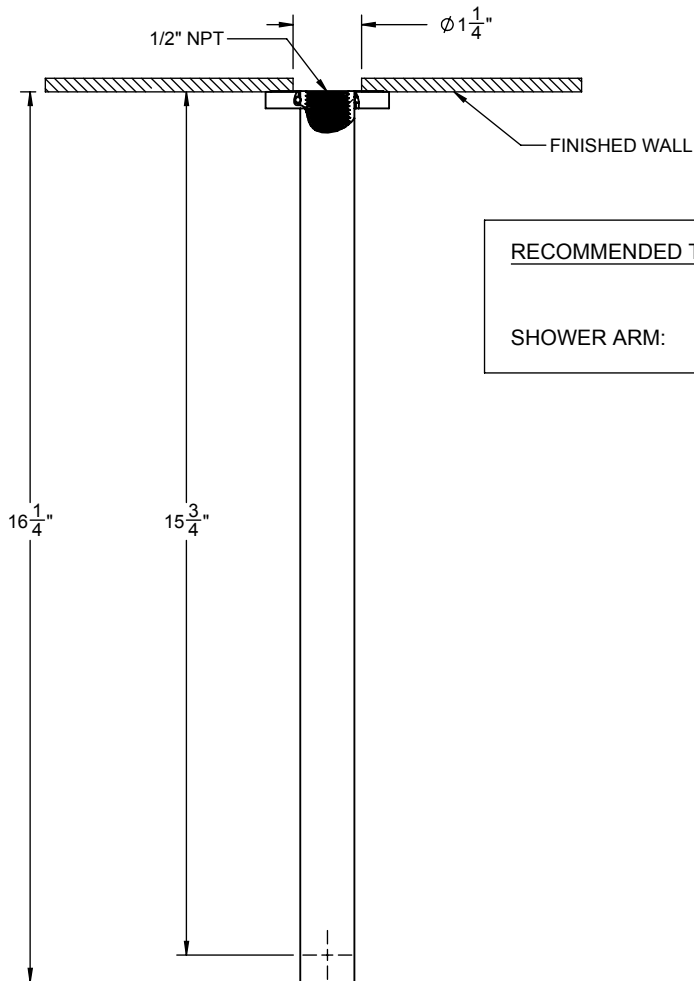
### Codes/Standards Applicable

Meets or exceeds the following at date of manufacture:

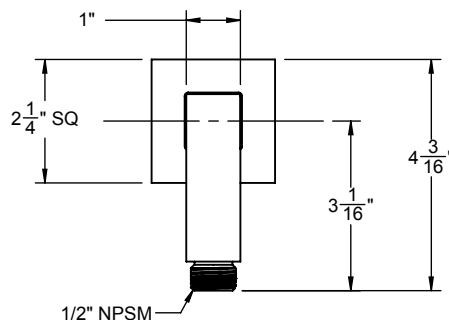
- ASME A112.18.1/CSA B125.1



# SH-572



RECOMMENDED THROUGH-HOLE SPECIFICATIONS		
	MIN	RECOMENDED
SHOWER ARM:	$\phi 1-1/16$	$\phi 1-1/4$



ALL DIMENSIONS SHOWN TO NEAREST 1/16"