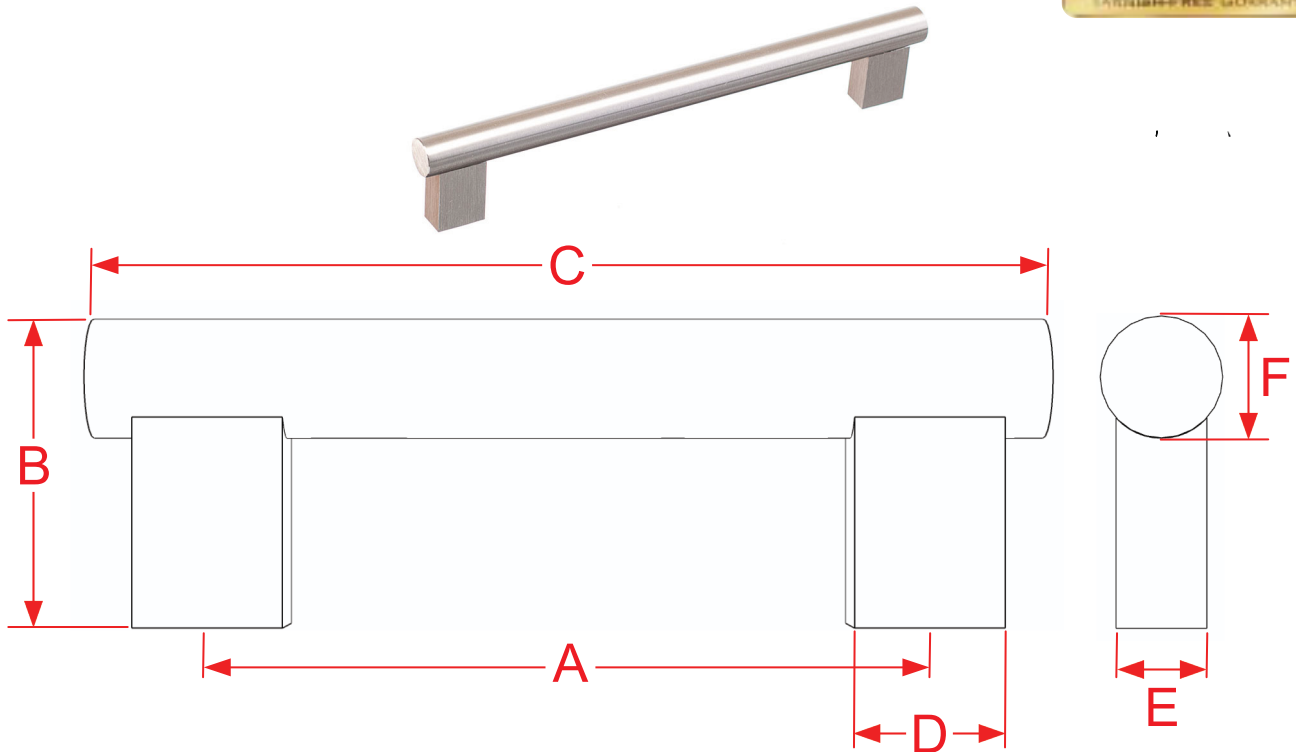


535, 536, 537 and 538 Series Cabinet Door & Appliance Pulls

Finishes for Life
TARNISH-FREE GUARANTEED



Part #	A Center to Center	B Projection	C Overall	D Base	E Base	F Diameter
535-3	3.0000"	1.2500"	4.0000"	0.6250"	0.3750"	0.5000"
535-6	6.0000"	1.2500"	7.0000"	0.6250"	0.3750"	0.5000"
536-8	8.0000"	1.5000"	9.5000"	0.7500"	0.5000"	0.6250"
537-10	10.0000"	1.8750"	12.0000"	1.0000"	0.6250"	0.7500"
538-10	10.0000"	2.6250"	12.5000"	1.0000"	0.7500"	1.0000"
Custom Sizing Available						



Manufacturing Fine Architectural Hardware
in the USA Since 1927



Copyright 2015
Colonial Bronze Company
All rights reserved
www.colonialbronze.com -
860.489.9233