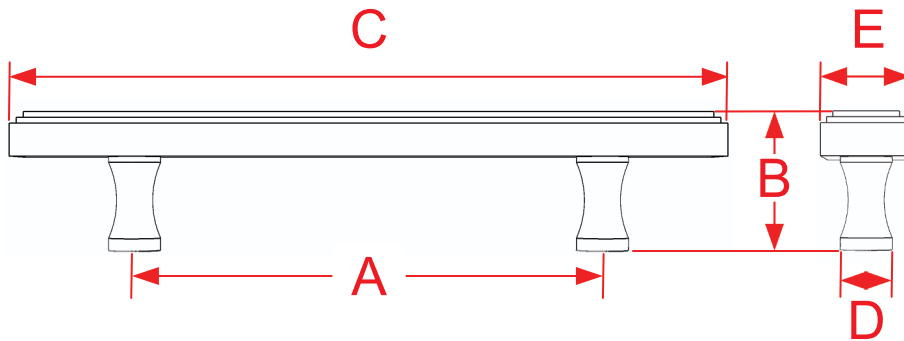


# Series 941 Cabinet, Door & Appliance Pulls

Finishes for Life  
FINISH-FREE GUARANTEED



Part #	A Center to Center	B Projection	C Overall	D Base	E Width
941-4	4.0000"	1.1875"	6.0000"	0.4375"	0.7500"
941-6	6.0000"	1.1875"	8.0000"	0.4375"	0.7500"
941-8	8.0000"	1.1875"	10.0000"	0.4375"	0.7500"
Custom Sizing Available					



Manufacturing Fine Architectural Hardware  
in the USA Since 1927



Copyright 2015  
Colonial Bronze Company  
All rights reserved  
[www.colonialbronze.com](http://www.colonialbronze.com) -  
860.489.9233