



Sink - CYO

Three-hole lavatory mixer with drain Without design element - platinum / platinum matte

Article number: 20 710 811-36 0010



- 5-1/4" Projection
- US drain with overflow
- Rigid spout
- Rectangular aerated stream
- Total height 7-1/8"
- Height to aerator/spout outlet 5"
- Spout hole diameter 1-3/8"
- Valve hole diameter 1-1/4"
- Handle Ø 2-3/8"
- Water flow rate limited to max. 1.2 gpm
- lead-free
- NOTE: Handle inserts are sold separately!



platinum / platinum matte

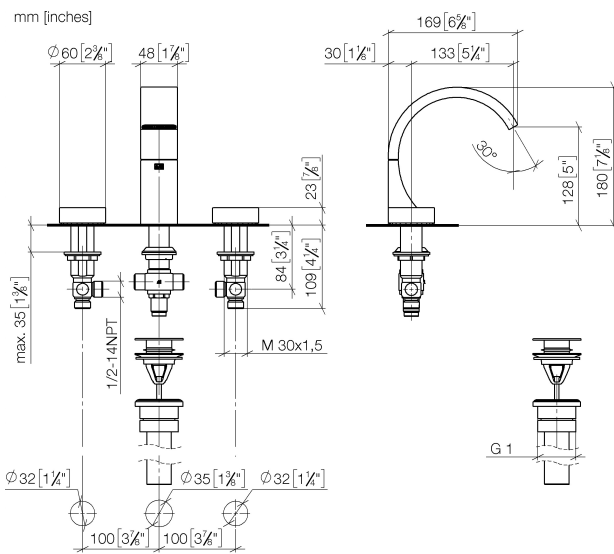


Sink - CYO

Three-hole lavatory mixer with drain Without design element - platinum / platinum matte

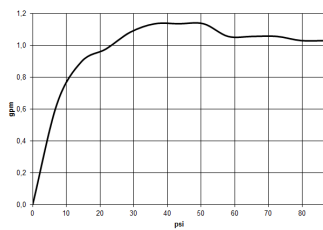
Article number: 20 710 811-36 0010

Dimensional drawing



All dimensions in mm / inch = mm x 0,0394

Flow rate chart





Sink - CYO

Three-hole lavatory mixer with drain Without design element - platinum / platinum matte

Article number: 20 710 811-36 0010

Other surface finishes



Chrome

20 710 811-00 0010



Brushed Platinum

20 710 811-06 0010



Dark Chrome

20 710 811-19 0010



Brushed brass (23kt gold)

20 710 811-28 0010



Brass / Brushed brass (23kt gold)

20 710 811-38 0010



Brushed Dark Platinum

20 710 811-99 0010

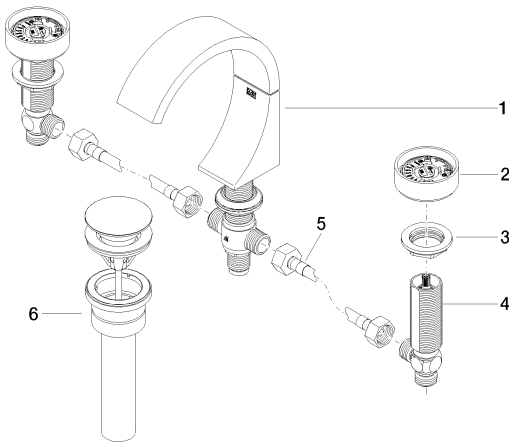
More custom finish options are available via special production (xTra Service). See our finish matrix for availability and pricing or contact a Dornbracht representative. Some series may be excluded and some finishes may not be available in all series.

Sink - CYO

Three-hole lavatory mixer with drain Without design element - platinum / platinum matte

Article number: 20 710 811-36 0010

Spare parts list



Number	Item Number	Designation	Number of units
1	13 715 811-36	Lavatory spout, deck-mounted without drain - platinum / platinum matte	1
2	90 18 40 290 00-36	handle	2
3	04 30 11 038 67 90	fixing set	2
4	04 17 11 055 61 90	side panel	2
5	04 30 04 096 00 90	hose	2
6	10 125 970-36 0010	pop-up waste	1