



Sink - Meta

Wall-mounted single-lever mixer with individual flanges - polished chrome

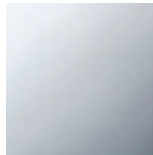
Article number: 36 862 660-00 0010

NO IMAGE



AVAILABLE

- Spout version bent by 90°
- 7-1/2" Projection
- Rigid spout
- Round aerated stream
- Spout hole diameter 1-1/2"
- Hole diameter single-lever mixer 2-1/4"
- 2-1/8" diameter flange for spout
- Diameter flange for mixer 3-1/8"
- Water flow rate limited to max. 1.2 gpm
- lead-free
- (ADA)



polished chrome

Accessory is required for this item.

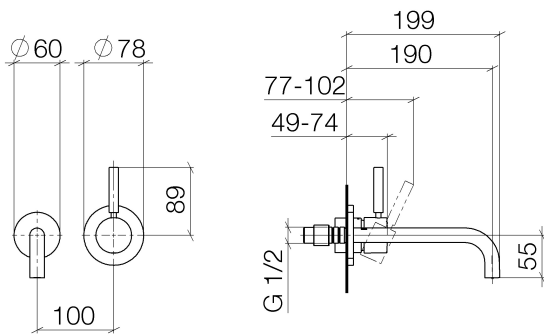


Sink - Meta

Wall-mounted single-lever mixer with individual flanges - polished chrome

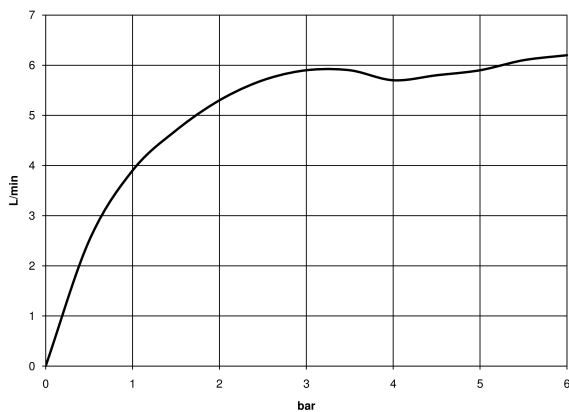
Article number: 36 862 660-00 0010

Dimensional drawing



All dimensions in mm / inch = mm x 0,0394

Flow rate chart





Sink - Meta

Wall-mounted single-lever mixer with individual flanges - polished chrome

Article number: 36 862 660-00 0010

Other surface finishes



platinum matte

36 862 660-06 0010



black matte

36 862 660-33 0010

More custom finish options are available via special production (xTra Service). Please see our finish matrix for availability and pricing or contact a Dornbracht representative.

Required article



35 860 970-90 0010

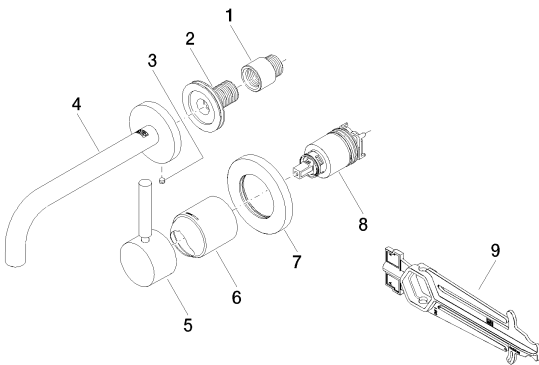
Rough for wall-mounted
faucet mixer on right -

Sink - Meta

Wall-mounted single-lever mixer with individual flanges - polished chrome

Article number: 36 862 660-00 0010

Spare parts list



Number	Item Number	Designation	Number of units
1	09 24 03 072 10 90	nipple	1
2	09 24 03 280 90	nipple	1
3	09 31 11 112 90	pin	1
4	90 28 22 351 01-00	spout	1
5	90 20 66 007 00-00	handle	1
6	09 11 02 288-00	cover	1
7	90 27 62 011 00-00	rosette	1
8	90 15 05 064 01 90	cartridge	1
9	09 30 09 064 90	key	1