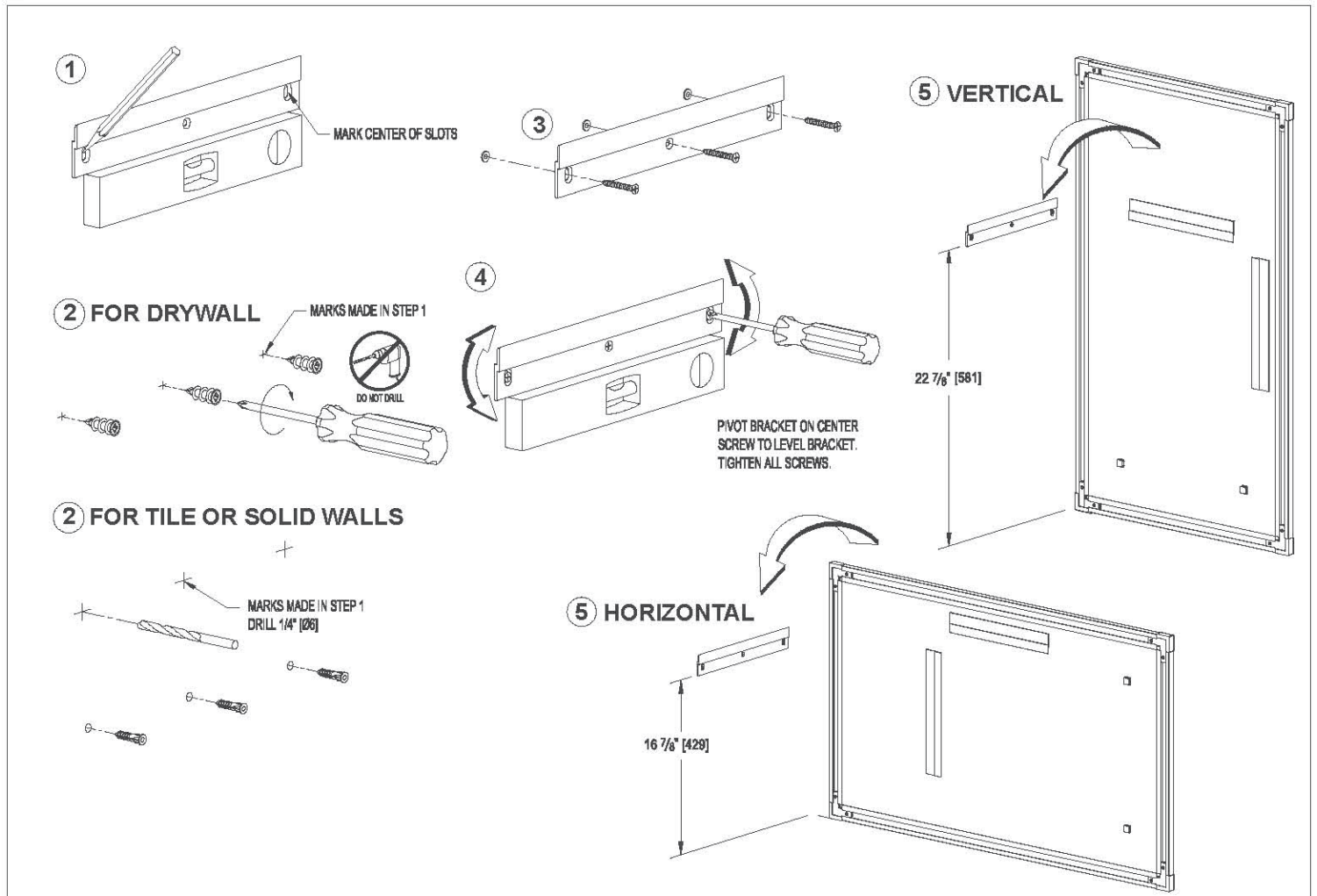


## MIRROR INSTALLATION INSTRUCTIONS

Complement your purchase with other fine accessories from GINGER®.



Determine the location of the mounting bracket on the wall. (See Illustration 5)

1. Position the mounting bracket as shown. The bracket should be level and in the center of the desired mirror location. Mark the location of the mounting bracket screw holes on the wall.
2. For drywall installation:  
Using a No. 2 Phillips screwdriver, push and turn zinc anchors in a clock-wise direction until flush with wall surface. If wood cross bracing or a stud is present, pre-drill a 1/4" (6mm) diameter hole and install small plastic anchor in place of the zinc anchor.
2. For tile or solid walls:  
Drill 1/4" (6mm) on marks made in Step 1. Insert plastic wall anchors and tap flush with wall.
3. Position mounting bracket over anchors and insert screws.
4. Level mounting bracket. Tighten screws.
5. Slide mirror down until mirror is supported by the mounting bracket.

Tools Needed: Pencil, Tape Measure, Phillips Screwdriver, Drill and Level.

**GINGER**  
Luxury For Your Lifestyle™

2001 CARNEGIE AVENUE  
SANTA ANA, CA 92705  
949-417-5207  
www.gingerco.com