



**Information**

- Single hole installation
- Aerated flow rate ~2.2 gpm @60 psi
- Includes pop-up drain assembly with overflow

**Finishes**



24K Gold



24K Brushed Gold



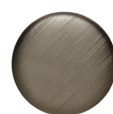
24K Brushed Gold with Onyx PVD Accents



Brushed Brass PVD



Architectural Black™



Brushed Nickel



Brushed Onyx PVD®



Gunmetal



Matte Black



Olive Bronze



Onyx PVD®



Polished Brass PVD



Polished Chrome



Polished Chrome with Onyx PVD Accents



Polished Nickel



Polished Nickel with Onyx PVD Accents

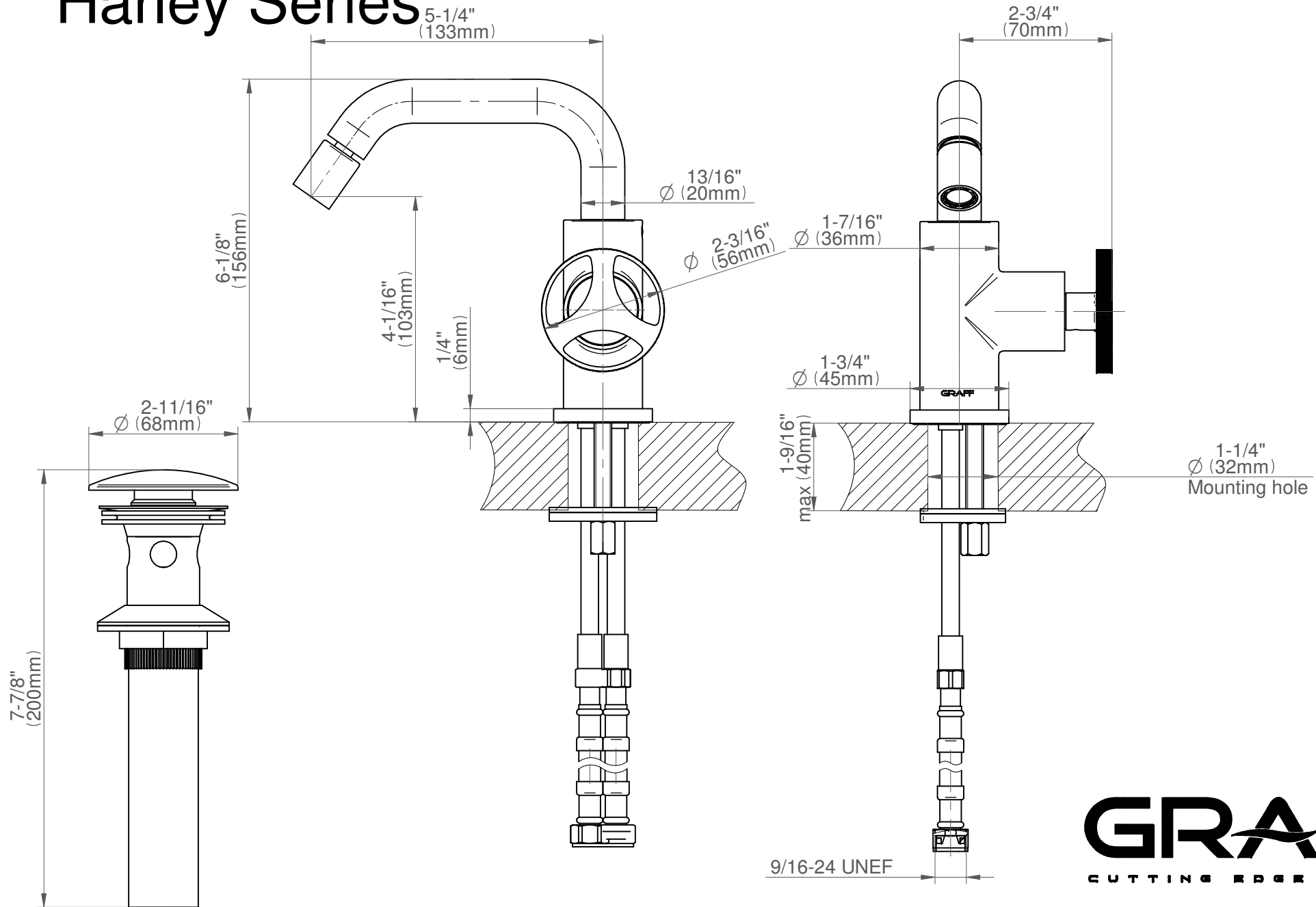


Architectural White



# G-11460-C19

## Harley Series



**GRAFF**<sup>®</sup>  
CUTTING EDGE DESIGN