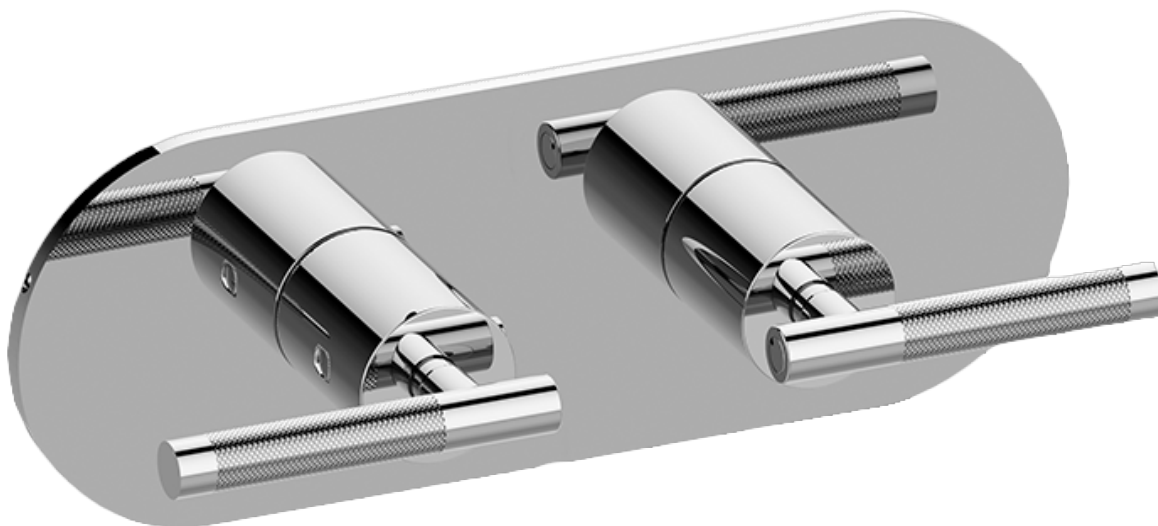


SHOWER  
Harley M-Series Valve Horizontal  
Trim with Two Handles  
**G-8047H-LM57E0-T**

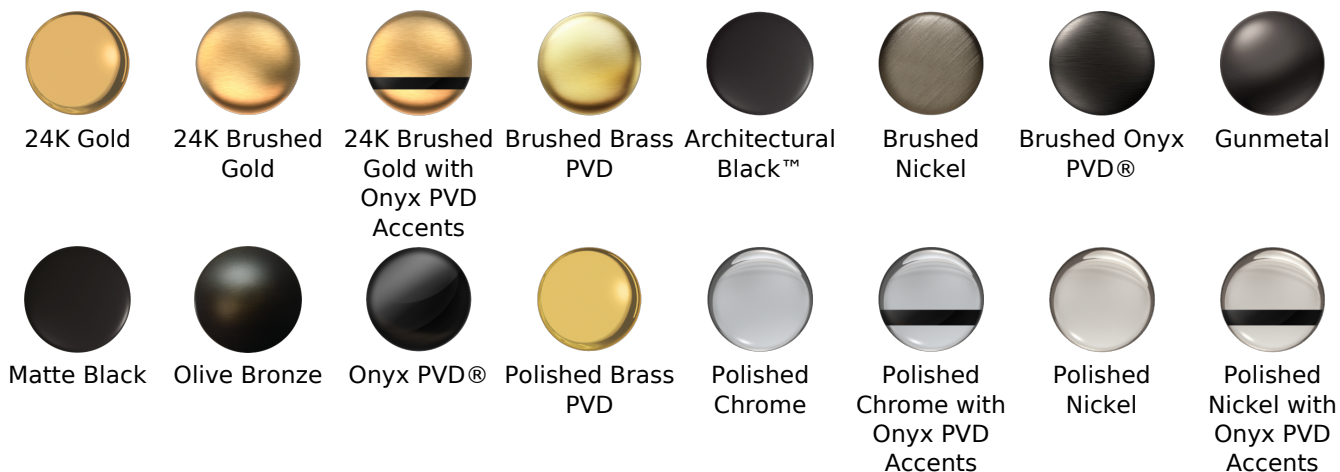
**GRAFF®**

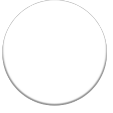


### Information

- Two metal handles
- Decorative trim plate
- Use with M-Series rough valves
- LM57E0 handles should not be used with 2-way or 3-way diverter valves
- ADA

### Finishes





Architectural  
White

POS NO.	SPARE PART DESCRIPTION	PCS	ITEM NO.
	M-Series Valve Trim w/Two Handles G-8047HH-LM57E0-T		5395150
1	Big rosette	1	5122800
2	Handle Body to Thermostatic Valve	1	5318860
3	Handle Body to Cut-off Valve	1	5318890
4	Frame - cutting	1	5119639
5	Movable sleeve set	1	5121300
6	Lever arm	2	5070420
7	Temperature limit ring	1	5119660
8	Soldered Body	2	5070300
9	Extension L52,5	1	5119650
10	Lever End	2	5070460
11	Connector	2	5184990
12	Pin	1	2872970
13	Screw M4x60 DIN7991	3	9903344
14*	Screw M6x25 ISO 4026	2	9903386
15	Screw M4x50 ISO 7046	1	9903377
16	Screw M4x25 ISO-2009	2	9903231
17*	Key hex PN-ISO 2936-2.5	1	9919051
18*	Key hex PN-ISO 2936-2	2	9919050
19	Plug no.3	2	5108300
20	Sliding washer	2	2806640
21	Screw M3x8 ISO4762	4	9903036
22	Handle ring	2	5060990
23	Collar gasket	2	5121495
24	Frame gasket	2	5119645
25	OR 3x1	2	9917040
26	Screw M4x6 ISO4027	2	9903212
27	Spring	1	2403975
28	Screw M4x6 PN-EN ISO 4029	2	9903157
29	Screw M4x4 ISO-4029	4	9903028
30	Screw M3x8 ISO-4026	1	9902017