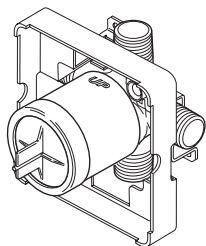
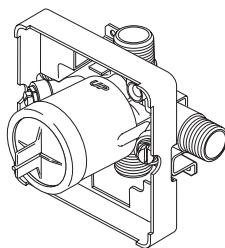


Installation Instructions / Warranty



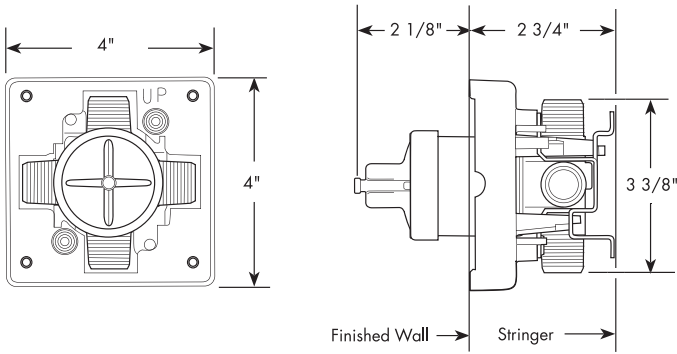
IP
04120181



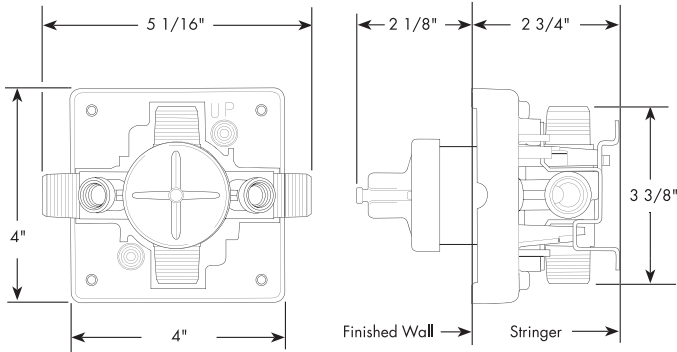
IP
04121181

hansgrohe

Pressure Balance Valve 04120181
 Pressure Balance Valve with Stops 04121181



04120181



04121181

Product Specification

- brass valve body
- anti-scald - maintains desired temperature $\pm 3^{\circ}\text{F}$
- $\frac{1}{2}$ " male threaded inlets
- reversible cartridge - allows use in back-to-back installation*

Cartridge incorporates rotational limit stop, which may be re-set to comply with local plumbing codes*

Flow rate: 4.25 gpm@ 45 psi

*The cartridge is included with the trim kit.

Installation considerations

- **Make sure you know what kind of wall is to be installed**, so that the required stringer may be installed at the proper location. See below.
- **Read the instructions for the shower arm and tub spout prior to rough-in** to see if there are any special installation requirements.
- The bottom outlet is to be plugged or to be used for a diverter tub spout only.
- Piping between the valve body and tub spout must be a straight drop of $\frac{1}{2}$ "

Preparation for installation

Install a stringer in the wall to support the valve. The distance from the front of the stringer (2) to the front of the plaster shield is 2.8" (1). The distance from the stringer to the front of the bonnet is 3.9" (3).

Installation in fiberglass or acrylic enclosure: Install the stringer so that the front of the plaster shield is behind the wall. The wall will be sandwiched between the plaster shield and the escutcheon.

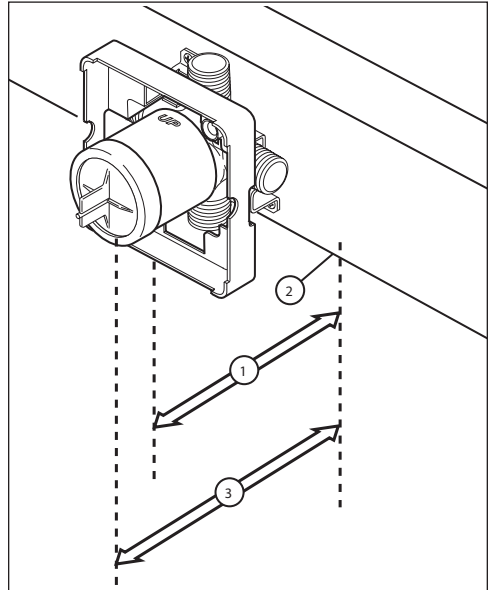
All other installations: Install the stringer so that the front of the plaster shield is flush with the outside surface of the finished wall.

iron pipe or copper tube between 8" and 18". There should be only one 90° elbow to the tub spout nipple.

- Do not use PEX for the tub spout drop, or stacking will result.

Suggested Installations

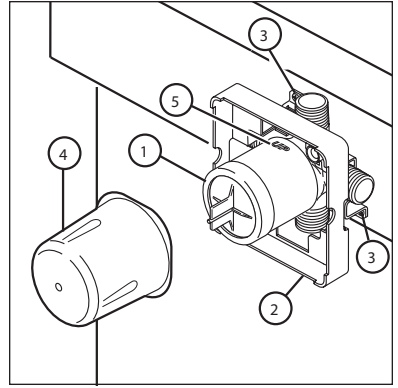
- Stationary showerhead
- Handshower
- Tub/shower with stationary showerhead and diverter tub spout



Installation

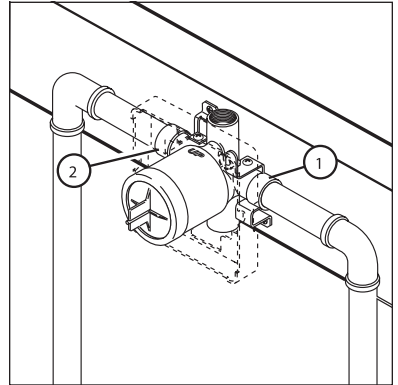
Turn off the water at the main before beginning!

Remove the cover (4) from the valve. Screw the valve body (1) to the stringer, using the two stringer mounting holes (3) on the bracket. Make sure that the word "UP" (5) is on top of the valve body.

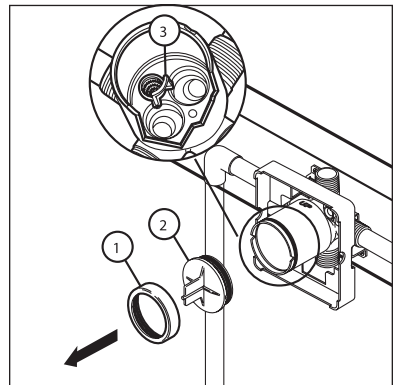


Connect the valve body to the water supplies with the proper fittings. The cold inlet (1) is on the right, and the hot inlet (2) is on the left.

Reversed installation: If the valve is to be installed in a reversed installation (hot on the right, cold on the left), do not install the valve upside down. The cartridge (included with the trim kit) is reversible.

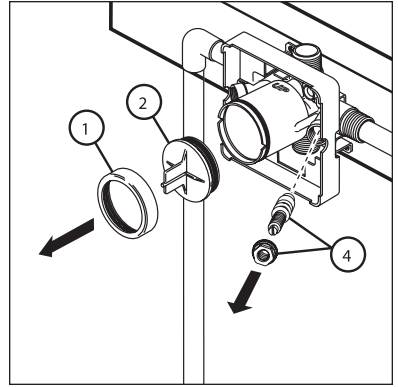


If the supply lines are to be soldered to the valve, remove the bonnet (1) and test cap (2) before soldering. Do not remove the screen (3).



If model O4121181 (with stops) is installed, remove the stops (4).

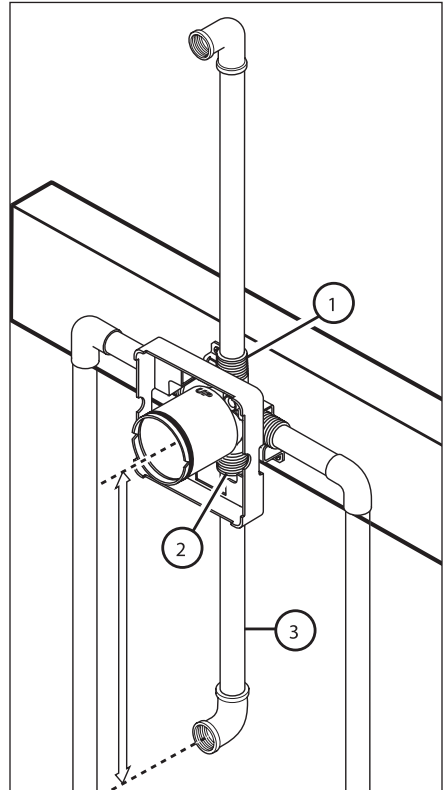
! Do not solder at high temperatures, or damage to screen will result.



Connect the top outlet (1) to the shower pipe with the proper fittings. Connect the bottom outlet (2) to the tub spout pipe with the proper fittings. The pipe between the valve and tub spout must be $\frac{1}{2}$ " copper or iron pipe, 8" – 18" long, with only one iron pipe or copper 90° elbow to the tub spout nipple.

! Do not use PEX tubing for the tub spout drop, or stacking will result.

If either of the two outlets is to be unused, seal it with a brass plug.



Pressure testing and flushing

Remove the cover (1), bonnet (2), and cap (3). Make sure that the o-ring (4) and screen (5) are properly installed.

Reinstall the cap and bonnet and tighten securely.

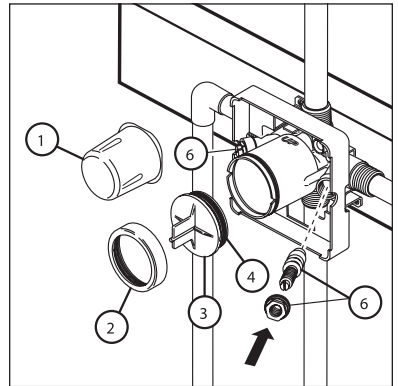
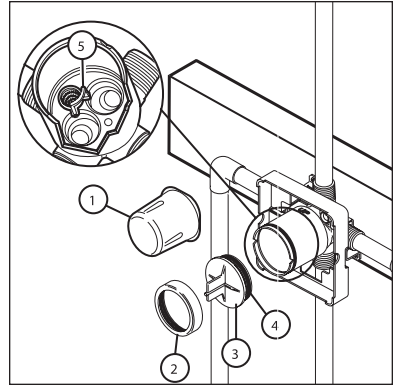
Pressurize the system – up to 200 psi for air or 300 psi for water. Check all connections for leaks.

When testing is complete, turn the water off at the main.

Remove the shower and/or the tub spout plug. Turn on the water and flush the system for at least 5 minutes.

Turn the water off at the main. Remove the filter (5). Reinstall the cap, bonnet, and cover.

Model 04121181 only: Install the stops. Turn the stops to the full open position.



Replace the cover. Finish and seal the wall.

Limited Lifetime Consumer Warranty

This product has been manufactured and tested to the highest quality standards by Hansgrohe, Inc. ("Hansgrohe"). This warranty is limited to Hansgrohe products which are purchased by a consumer in the United States after March 1, 1996, and installed in either the United States or Canada.

WHO IS COVERED BY THE WARRANTY

This warranty extends to the original consumer purchaser only. This warranty is non-transferable.

WHAT IS COVERED BY THE WARRANTY

This warranty covers only your Hansgrohe manufactured product. Hansgrohe warrants this product against defects in material or workmanship as follows: Hansgrohe will repair at no charge for parts only or, at its option, replace any product or part of the product that proves defective because of improper workmanship and/or material, under normal installation, use, service and maintenance. If Hansgrohe is unable to provide a replacement and repair is not practical or cannot be timely made, Hansgrohe may elect to refund the purchase price in exchange for the return of the product.

LENGTH OF WARRANTY

Replacement or repaired parts of products will be covered for the term of this warranty as stated in the following two sentences. If you are a consumer who purchased the product for use primarily for personal, family, or household purposes, this warranty extends for as long as you own the product and the home in which the product is originally installed. If you purchased the product for use primarily for any other purpose, including, without limitation, a commercial purpose, this warranty extends only (i) for 1 year, with respect to Hansgrohe and Commercial products, and (ii) for 5 years, with respect to AXOR products.

THIS WARRANTY DOES NOT COVER, AND HANSGROHE WILL NOT PAY FOR:

- A. Conditions, malfunctions or damage not resulting from defects in material or workmanship.
- B. Conditions, malfunctions or damage resulting from (1) normal wear and tear, improper installation, improper maintenance, misuse, abuse, negligence, accident or alteration, or (2) the use of abrasive or caustic cleaning agents or "no-rinse" cleaning products, or the use of the product in any manner contrary to the product instructions. (3) Conditions in the home such as excessive water pressure or corrosion.
- C. Labor or other expenses for the disconnection, deinstallation, or return of the product for warranty service, or for installation or reinstallation of the product (including but not limited to proper packaging and shipping costs), or for installation or reinstallation of the product.
- D. Accessories, connected materials and products, or related products not manufactured by Hansgrohe.

TO OBTAIN WARRANTY PARTS OR INFORMATION

Contact your Hansgrohe retailer, or contact Technical Service at:

Hansgrohe Inc.
1492 Bluegrass Lakes Parkway
Alpharetta GA 30004
Toll-free (800) 334-0455.

In requesting warranty service, you will need to provide

1. The sales receipt or other evidence of the date and place of purchase.
2. A description of the problem.
3. Delivery of the product or the defective part, postage prepaid and carefully packed and insured, to Hansgrohe Inc. 1492 Bluegrass Lakes Parkway, Alpharetta, Georgia 30004, Attention: Technical Service, if required by Hansgrohe.

When warranty service is completed, any repaired or replacement product or part will be returned to you postage prepaid.

EXCLUSIONS AND LIMITATIONS

REPAIR OR REPLACEMENT (OR, IN LIMITED CIRCUMSTANCES, REFUND OF THE PURCHASE PRICE) AS PROVIDED UNDER THIS WARRANTY IS THE EXCLUSIVE REMEDY OF THE PURCHASER. HANSGROHE NEITHER ASSUMES NOR AUTHORIZES ANY PERSON TO CREATE FOR IT ANY OBLIGATION OR LIABILITY IN CONNECTION WITH THIS PRODUCT.

HANSGROHE SHALL NOT BE LIABLE TO PURCHASER OR ANY PERSON FOR ANY INCIDENTAL, SPECIAL, OR CONSEQUENTIAL DAMAGES, ARISING OUT OF BREACH OF THIS WARRANTY OR ANY IMPLIED WARRANTY (INCLUDING MERCHANTABILITY).

Some States do not allow the exclusion or limitation of incidental or consequential damages, so the above limitation or exclusion may not apply to you. This warranty gives you specific legal rights, and you may have other rights which vary from State to State. You may be required by law to give us a reasonable opportunity to correct or cure any failure to comply before you can bring any action in court against us under the Magnuson-Moss Warranty Act.

PRODUCT INSTRUCTIONS AND QUESTIONS

Upon purchase or prior to installation, please carefully inspect your Hansgrohe product for any damage or visible defect. Prior to installing, always carefully study the enclosed instructions on the proper installation and the care and maintenance of the product. If you have questions at any time about the use, installation, or performance of your Hansgrohe product, or this warranty, please call or write to us or call us toll-free at 800 334 0455.

hansgrohe

Hansgrohe, Inc. • 1490 Bluegrass Lakes Parkway • Alpharetta, GA 30004
Tel. 770-360-9880 • Fax 770-360-9887

www.hansgrohe-usa.com