

**Rough, Trio 2-Way Diverter without Shut-Off, 3/4"**  
 Finishes : n.a. Part no. : 15984181



**Description**

**Features**

- 1 inlet, 2 outlets
- 3/4" NPT
- Requires volume control
- Flow: 17 GPM (65.0 L/Min)

**Item details**

List Price \$ 205.00

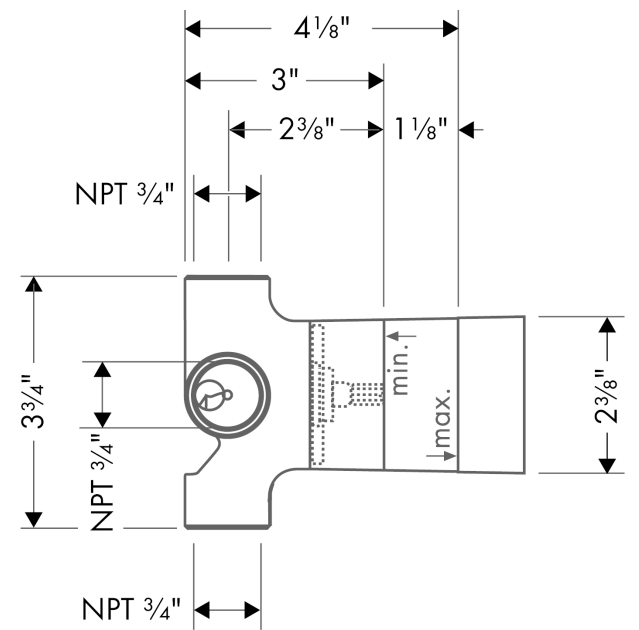
**Compliance**



**Product image**



**Scale drawing**

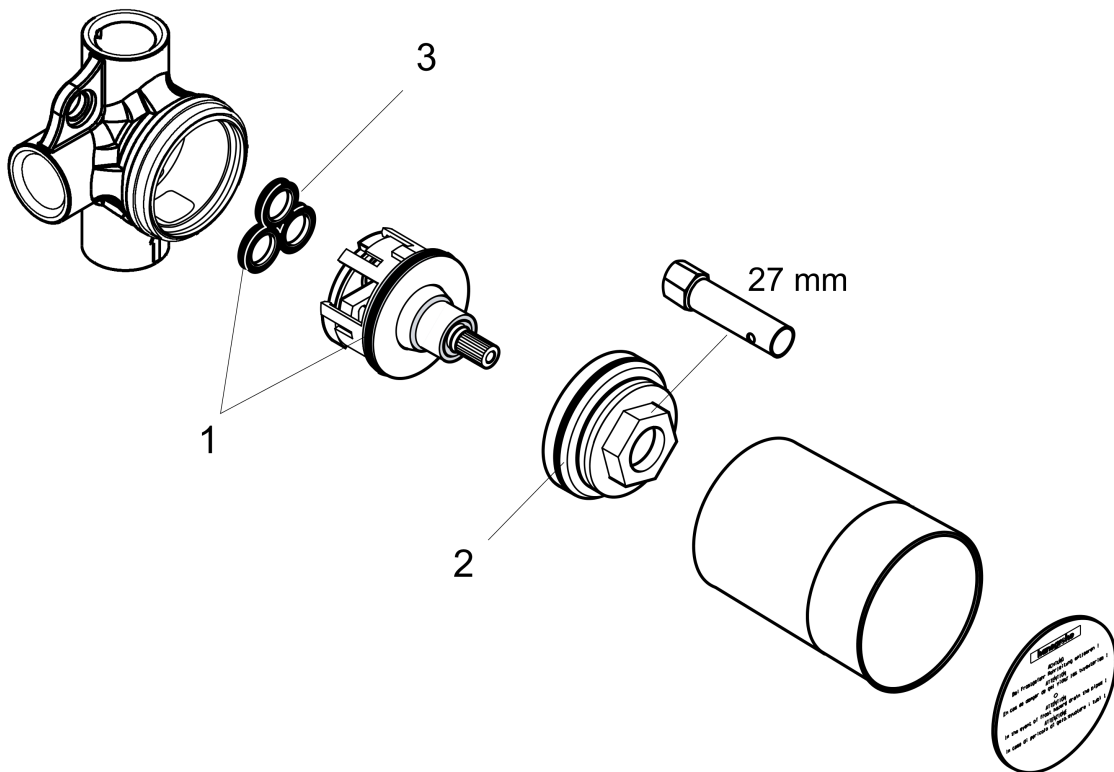


**Rough, Trio 2-Way Diverter without Shut-Off, 3/4"**  
 Finishes : n.a. Part no. : 15984181



Exploded drawing

Year of production: >07/18



**Rough, Trio 2-Way Diverter without Shut-Off, 3/4"**  
 Finishes : n.a. Part no. : **15984181**



**Spare parts list**

Year of production: >07/18

Pos.	Description	Part no.	Price	PU
1	diverter unit	95509000	-	1
2	nut	97550000	-	1
3	sealing set	98798000	-	1
a	extension 25 mm	96370000	-	1