

PVC SYSTEMS INCLUDE:

- 4 Fully directional adjustable PVC jets
- 2 Jumbo Rotating adjustable flow PVC jets
- 2 Jumbo Rotating Jets
- Anti-vortex safety suction
- Color matched system trim
- HydroOzone ozone sanitation system
- Rigid PVC piping
- Self draining pump and system
- Soft Touch electronic on/off control with 30-minute integral times
- 2.25 HP single speed pump
- Cable waste and overflow
- Requires 20 Amp Dedicated GFCI



The Aimee is stylishly designed with the best features of any great whirlpool bathtub. The Aimee comfortably fits two and features armrests at both ends of the tub for added bathing comfort. The Aimee also has two fully recessed jumbo rotating jets. Visit <http://www.hydrosystem.com> for more details on our options and accessories.



OPTIONS:

- *Grab Bars
- *Integral waste and overflow (linear)
- *Chromatherapy-LED Lighting System
- Chromatherapy-LED Mini Spotlights
- Indulge System
- Microban Antibacterial Protection
- Extra high density fiberglass
- Custom jet and pump locations
- Additional directional Jets
- Swirling, Rotating, or Jumbo Jets
- Micro Therapy Jet
- Integral waste and overflow (circular)
- Masseur Pillow
- 1.5 HP Variable Speed Pump (digital temperature display optional)
- Electronic low water protection
- In-line heater
- Mood Light
- Hydro Fragrance
- Hydro Fusion



As SHOWN:

Whirlpool option with standard jet location

FEATURES SHOWN:

- Jets
- Overflow location

ALSO AVAILABLE:

- Soaking tub only
- Whirlpool
- Thermal Air
- Combo

SIZE:

72.36.24

WATER CAPACITY:

95 Gallons

WEIGHT:

90 Pounds

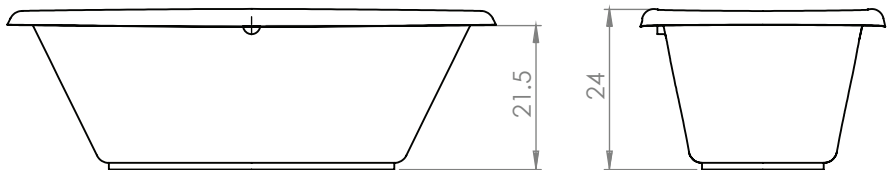
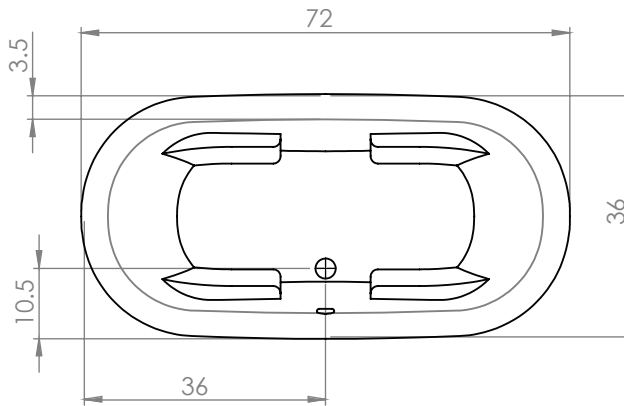
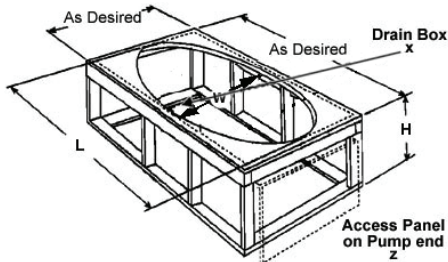
MODEL 7236 DIMENSIONS:

- (L)ength- 72"
- (W)idth- 36"
- (H)eight Finish- 24"



ACRYLIC TUB

- Acrylic models finished in 1/8" thick layer of deep lustrous acrylic
- Extra thick reinforced fiberglass
- Pre-wired pump on pump platform (standard pump location only)
- Integral E-Z level platform facilitates installation



CODES AND COMPLIANCES

Massachusetts code File no: P1-0614-491

