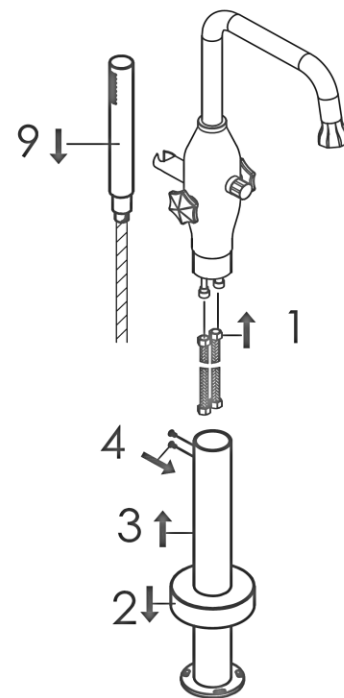
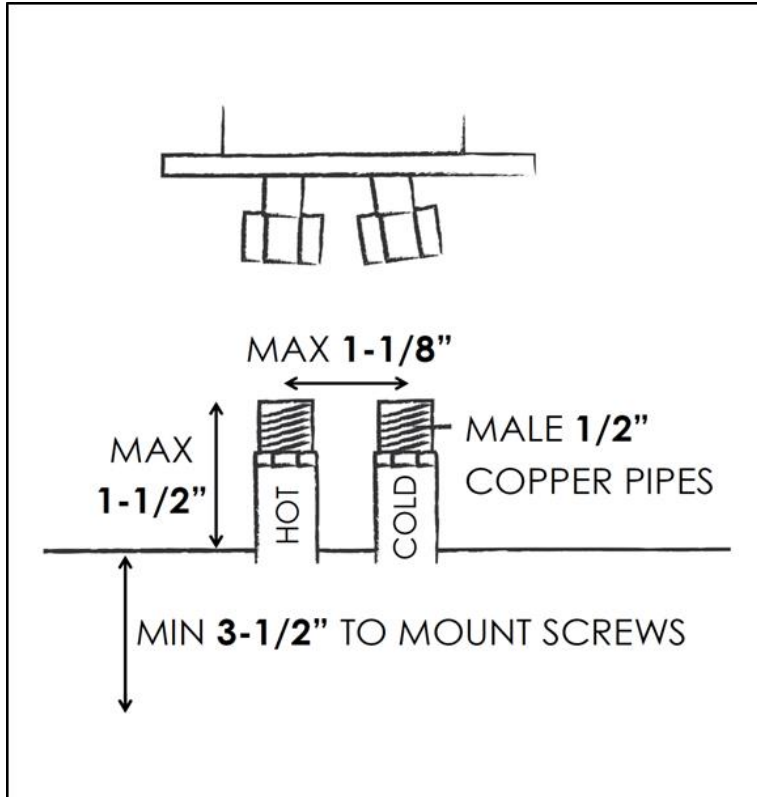
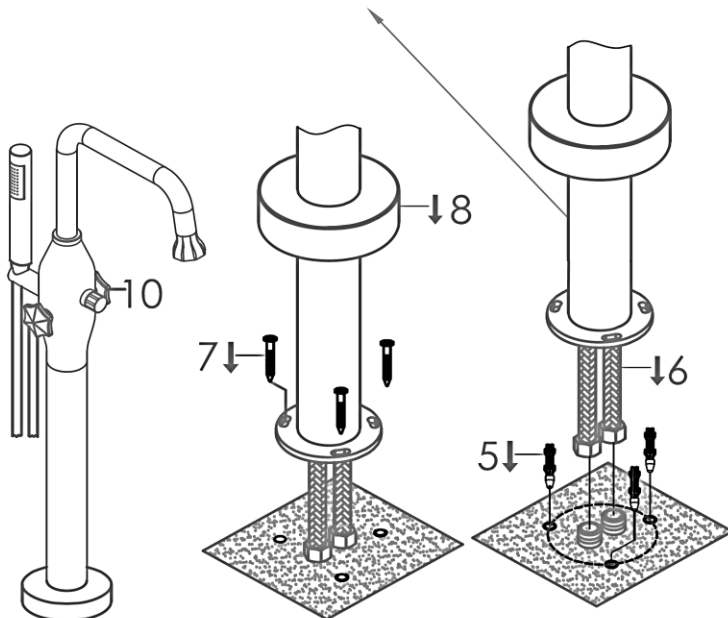




Installation Instructions

PVD gun metal  
600-3116



1 person holding shower, 1 person attaching.



-  x2
-  x1