

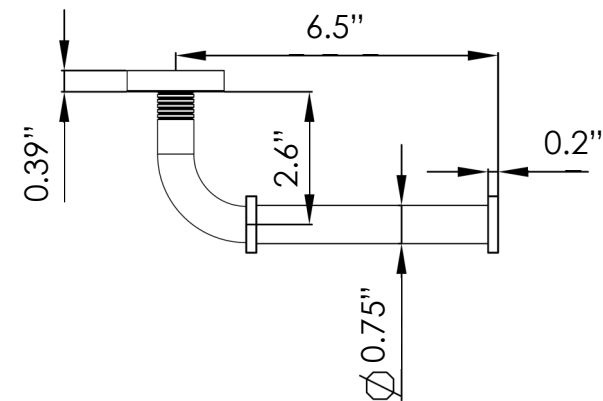
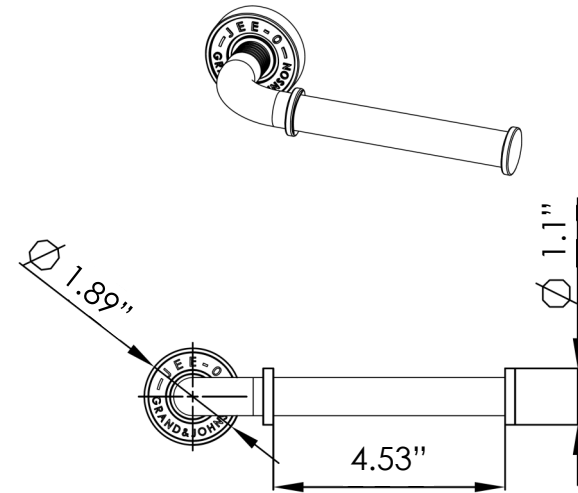
Soho Toilet Roll Holder

by JEE-O

WATRLINE



-  RAW (brushed)
701-0010
-  hammercoat black
701-0012
-  custom finish
701-001C



SPECIFICATIONS

MATERIAL:	304 stainless steel
WEIGHT:	0.7 lbs
PACKAGE DIMENSIONS:	L 8.5" x W 4" x H 2.5"
DELIVERY WEIGHT:	1 lb
WARRANTY:	2-year limited warranty

MAINTENANCE & CARE

RAW (BRUSHED):	Regularly apply stainless steel cleaner and rub in the direction of the grain, using a slightly abrasive sponge.
HAMMERCOAT BLACK:	Regularly clean with soap water or alcohol. Do not use abrasives.