

**FLORENCE
COLLECTION
DOUBLE POST TISSUE
HOLDER
322158**



PRODUCT NAME: DOUBELE POST
TISSUE HOLDER

PRODUCT CODE: 322158

MATERIAL: All-brass construction

KEY FEATURES: Traditional design.
Round and elegant style.

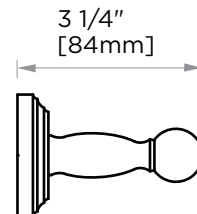
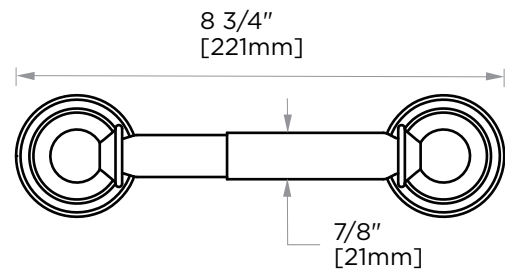
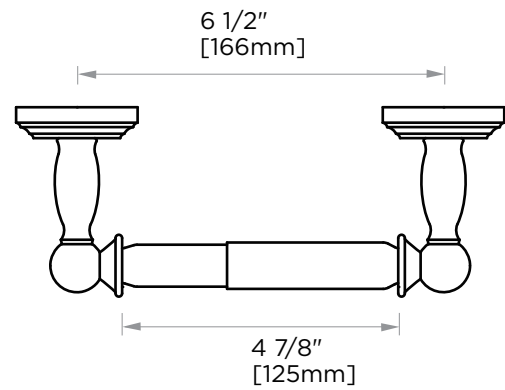
STOCKED FINISHES:

- Polished Chrome (99)
- Brushed Nickel (81)
- Polished Nickel (68)
- Matte Black (48)
- New World Bronze(80)

SPECIAL FINISHES AVAILABLE: 26 options available.
Please see our website for full list samples

WARRANTY:

Lifetime Limited (Residential Use)
One Year (Commercial Use)



NOTE: Dimensions and specifications are subject to change without notice.