

KALLISTA®

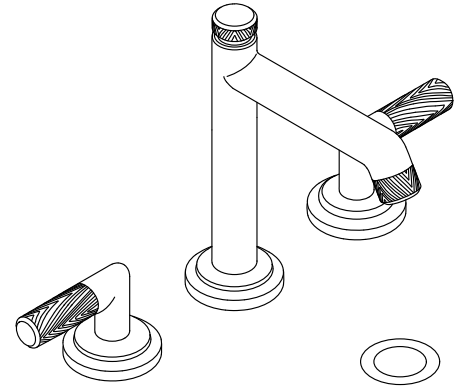
Pinna Paletta® by Laura Kirar Sink Faucet, Tall Spout, Lever Handles P24900-BAF

Features

- High-quality solid-brass construction for durability and reliability
- Widespread sink faucet for 8" (203 mm) - 16" (406 mm) centers
- ADA-compliant
- 1.2 gpm (4.5 lpm) maximum flow rate
- Spout reach is 5-1/2" (140 mm)
- Includes drain and lift rod
- Laminar flow

Recommended Products/Accessories

P72040-WO Under-mount Sink with Overflow
P24910-SNW Wall-Mount Sink Faucet, Lever Handles
P24933-SNW Towel Bar, 18"
P24936-SNW Hook



ADA **CSA B651** **OBC**

Codes/Standards

ASME A112.18.1/CSA B125.1
NSF/ANSI 61
NSF/ANSI 372
All applicable US Federal and State material regulations
DOE - Energy Policy Act 1992
EPA WaterSense®
California Energy Commission (CEC)
ADA
ICC/ANSI A117.1
CSA B651
OBC

KALLISTA® Five-Year Limited Warranty

See website for detailed warranty information.

Available Colors/Finishes

Color tiles intended for reference only.

Color Code Description

BAF

1-888-4-KALLISTA (1-888-452-5547)

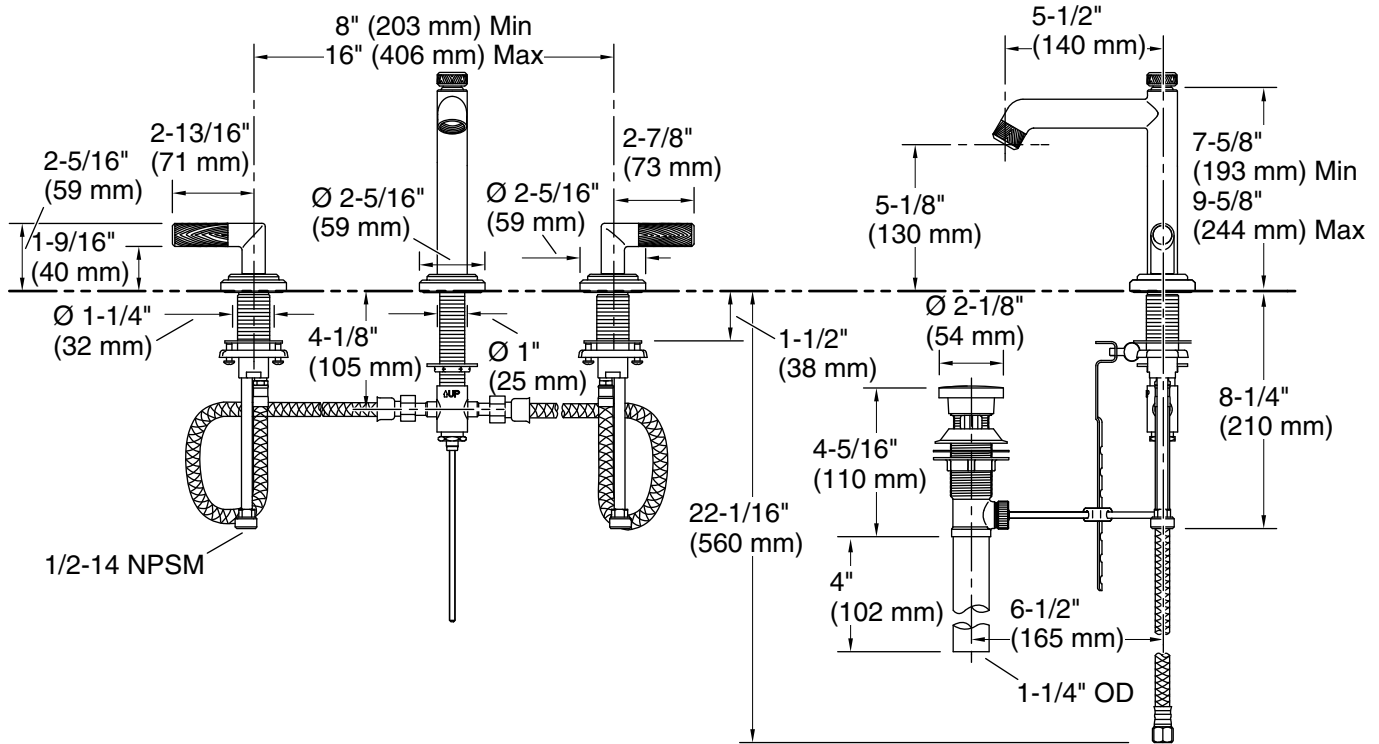
Kallista reserves the right to make revisions without notice to product specifications.

For the most current Specification Sheet, go to www.kallista.com.

9-18-2022 13:33 - US/CA/CN/MX/GB

KALLISTA.

Pinna Paletta® by Laura Kirar
Sink Faucet, Tall Spout, Lever Handles
P24900-BAF



Technical Information

All product dimensions are nominal.

Faucet:

Flow rate: 1.2 gal/min (4.5 l/min)

Pressure: 60 psi (4.1 bar)

Drain included: Yes

Drain with
overflow: Yes

Spout:

Spout reach: 5-1/2" (140 mm)

Notes

Install this product according to the installation instructions.

ADA, OBC, CSA B651 compliant when installed to the specific requirements of these regulations.