

### Features

- Constructed of vitreous china.
- 31-7/8"H, 19-1/8"W, 15-7/8"D
- Cartridge-free waterless urinal functionality.
- Saves up to 40,000 gallons of water per fixture per year and significantly reduces sewage and maintenance costs.
- Cartridge-free integral trapway provides enhanced performance and less maintenance.
- Optimized interior design virtually eliminates splashing.
- Touch-free design is vandal resistant and offers added hygiene to users.
- This product can help a building earn Water Efficiency points in the LEED Green Building Rating System™. See specification sheet for water use data.

### Included Components

Additional Components:

- 2" outlet spud
- 3 oz (89 ml) Sealing Liquid Sample
- Cleaner Sample
- Hanger(s)
- Removable Strainer
- Universal Mounting Bracket
- Urinal Ball Sample



ADA

### Codes/Standards





ASME A112.19.2/CSA B45.1  
ASME A112.19.19  
ADA  
ICC/ANSI A117.1

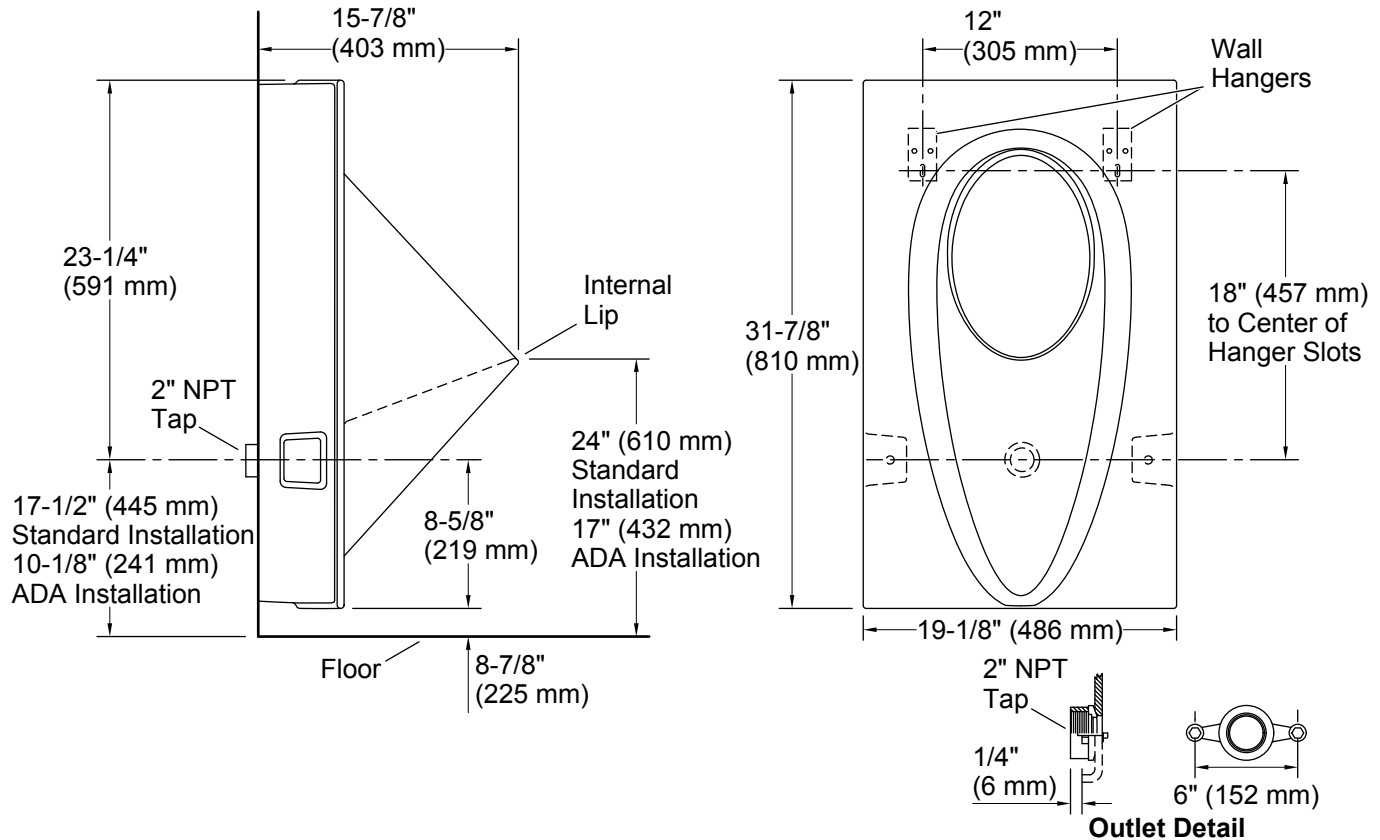
### KOHLER® One-Year Limited Warranty

See website for detailed warranty information.

### Available Colors/Finishes

*Color tiles intended for reference only.*

Color	Code	Description
	0	White
	96	Biscuit
	47	Almond
	7	Black Black™



## Technical Information

All product dimensions are nominal.

Flush outlet technology: Waterless  
Spud size: 2", Outlet, Rear

## Notes

Install this product according to the installation guide.

**NOTICE:** For ADA compliance, measurement must be from the floor to the top of the internal lip.

**CAUTION:** Risk of property damage. When connecting waterless urinals to the building drain waste vent system, do not use copper pipe or copper tube connectors. The use of a copper connector will result in corrosion of the connector and potential building structure damage caused by leakage.

ADA compliant when installed to the specific requirements of these regulations.