

### Features

- 43 airjets release thousands of bubbles that surround, support, and massage the body.
- Variable-speed blower lets you adjust massage intensity to 18 levels.
- Zones of Control feature allows you to target massage to back, midsection, or feet.
- Lighted keypad.
- Integral apron.
- Safeguard® slip-resistant surface on bath floor.
- Right-hand drain.
- Immediate and manual purge cycles remove residual water from air channels after use.
- Coordinates with other products in the Memoirs collection.

### Material

- KOHLER® enameled cast iron.

### Hydrotherapy

- BubbleMassage

### Installation

- Three-wall alcove.

### Recommended Products/Accessories

- K-1491 Bath/Whirlpool Pillow
- K-1601 Bath/Whirlpool Footstop
- K-1705 Whirlpool/BubbleMassage™ Remote Control
- K-7161-AF Bath Drain
- K-7259 Clearflo Bath Drain
- K-9498 3" Keypad Trim
- K-37380 30" Rough-in Cable Bath Drain
- K-37383 30" Rough-in Cable Bath Drain
- K-702200-G54 Frameless Sliding Bath Door
- K-702200-G73 Frameless Sliding Bath Door
- K-702200-L Frameless Sliding Bath Door
- K-702205-L Frameless Sliding Bath Door
- K-706000-D3 Frameless Sliding Bath Door
- K-706000-L Frameless Sliding Bath Door
- K-706003-L Frameless Sliding Bath Door
- K-706004-D3 Frameless Sliding Bath Door
- K-706004-L Frameless Sliding Bath Door
- K-706007-L Frameless Sliding Bath Door



### ADA

### Codes/Standards

ASME A112.19.1/CSA B45.2  
ASME A112.19.7/CSA B45.10  
ASTM F462  
UL 1795  
CSA C22.2 No. 218.2  
ADA  
ICC/ANSI A117.1

### KOHLER® Enameled Cast Iron Bath and Shower Base Lifetime Limited Warranty






### KOHLER® Hydrotherapy Components Five-Year Limited Warranty

See website for detailed warranty information.

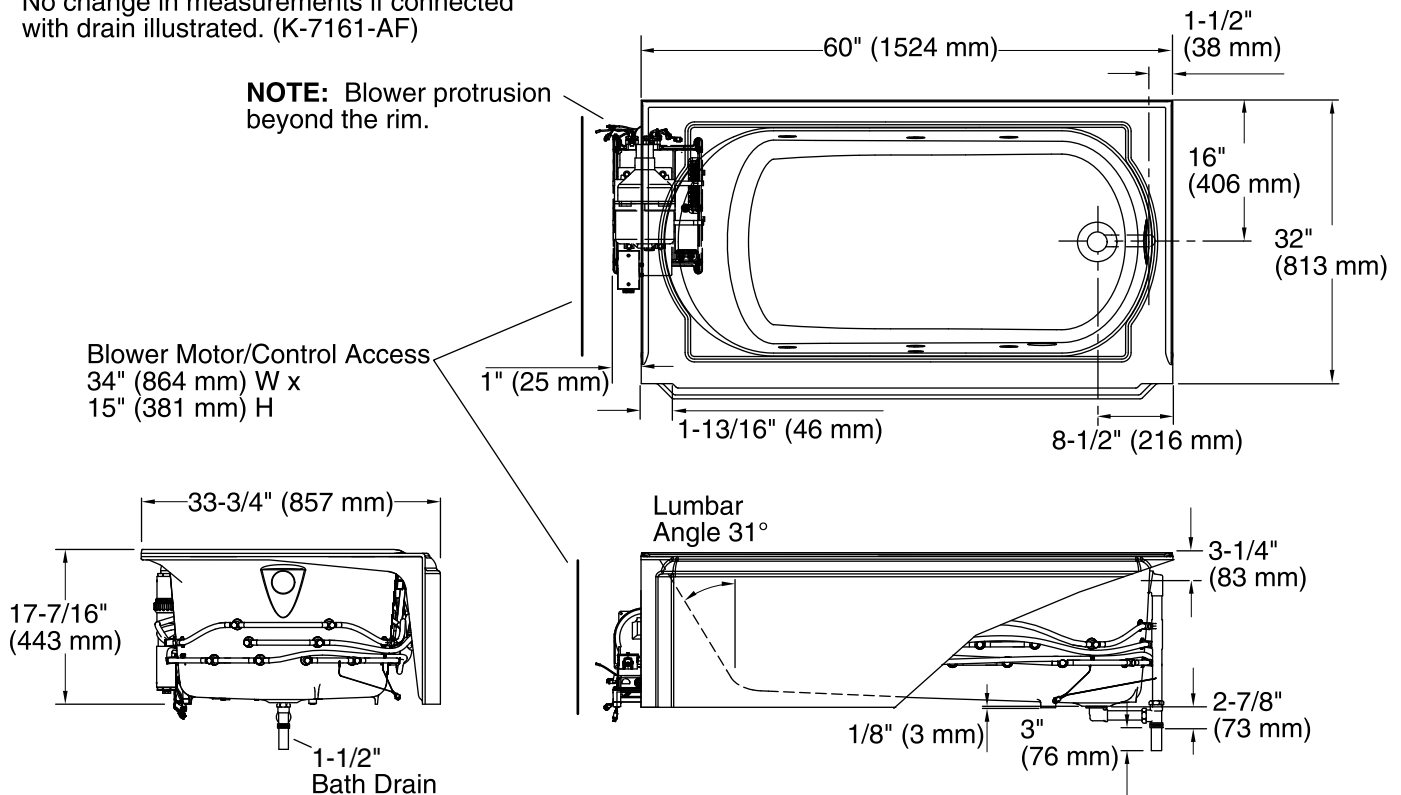
### Available Colors/Finishes

*Color tiles intended for reference only.*

#### Color Code Description

	0	White
	96	Biscuit
	47	Almond
	NY	Dune
	G9	Sandbar

No change in measurements if connected with drain illustrated. (K-7161-AF)



### Required Electrical Service

One dedicated circuit required, protected with Class A Ground-Fault Circuit-Interrupter (GFCI). Outside North America, this device may be known as a Residual Current Device (RCD).

Blower: 240 V, 15 A, 50/60 Hz

### Technical Information

All product dimensions are nominal.

Installation: Three-wall alcove  
 Drain location: Right  
 Basin area, bottom: 45" x 23" (1143 mm x 584 mm)  
 Basin area, top: 54" x 25" (1372 mm x 635 mm)  
 Weight: 390 lbs (176.9 kg)  
 Minimum floor load: 61 lbs/ft<sup>2</sup> (297.8 kg/m<sup>2</sup>)  
 Water depth: 11-5/8" (295 mm)  
 Water capacity: 52 gal (196.8 L)  
 Electrical component rating: Blower: 240 V, 5 A, 50/60 Hz  
 Blower speed: Variable  
 Minimum flat for door: 2" (51 mm)

### Notes

Measure your actual product for rough-in details. Install this product according to the installation instructions.

The hot water supply should be 70% of the capacity of the bath or greater. Installations will vary.

If relocating the blower motor, do not relocate or alter the PVC tee or coiled flexible tubing connected to the blower. Follow the blower relocation instructions exactly. Provide access for servicing the blower.

ADA compliant when installed to the specific requirements of these regulations.