

## Metro - 72" Double Bowl

## Specification & Installation Guide

### Features

- Free standing 72" vanity : 33" (838mm)H x 22"(560mm)D x 71-5/8" (1820mm)W
- Furniture grade plywood layered with solid wood veneer and protected with several coats of polyurethane (No particle board or MDF used)
- Matching finish inside out
- Four fully adjustable drawers with full-extension soft-close European hardware
- Two interiors drawers with full-extension soft-close European hardware
- Drawers include adjustable tempered glass dividers and retainers
- Feet option: 4 L-feet or 2 S-feet in polished chrome or brushed nickel.

### Colors/Finishes

- Ash Grey (AG)
- Glossy White (GW)
- Walnut (WA)

### Top/Basin options

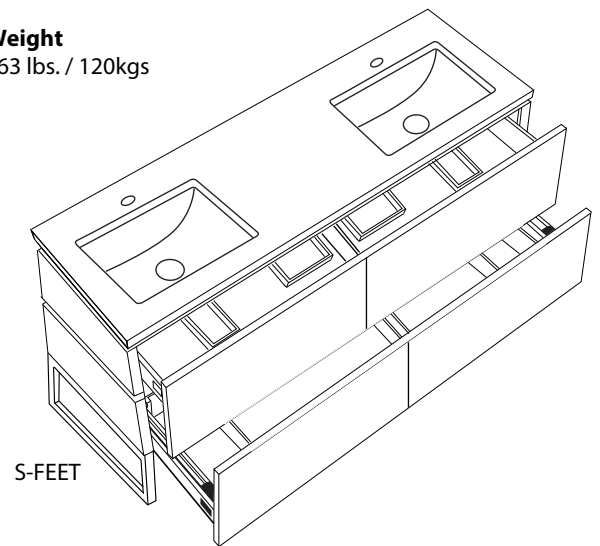
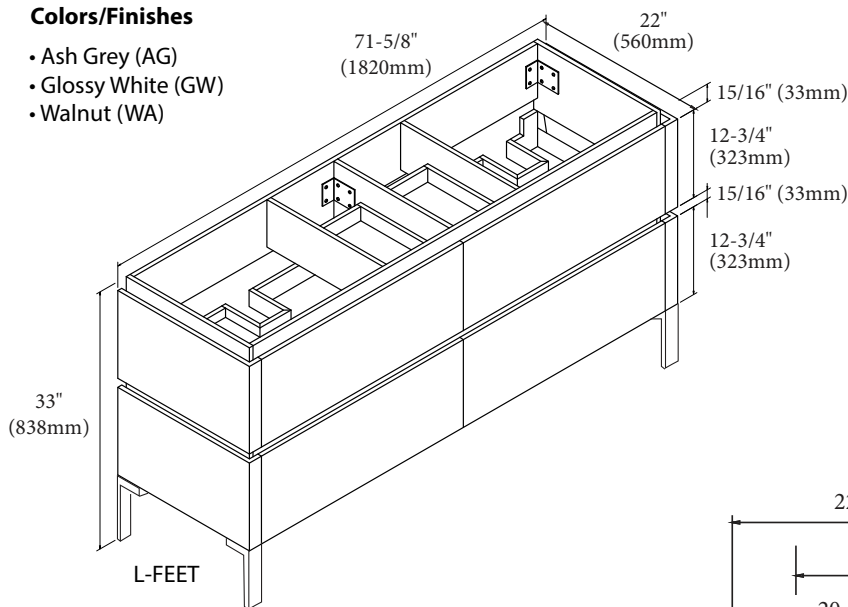
- White, Soft Grey or White Carrara Quartzstone™ top & White ceramic basin
- Glossy White X-Stone top/basin
- Glossy or Matte White X-Stone flat countertop
- Tempered glass top and ceramic basin

### Package Dimensions

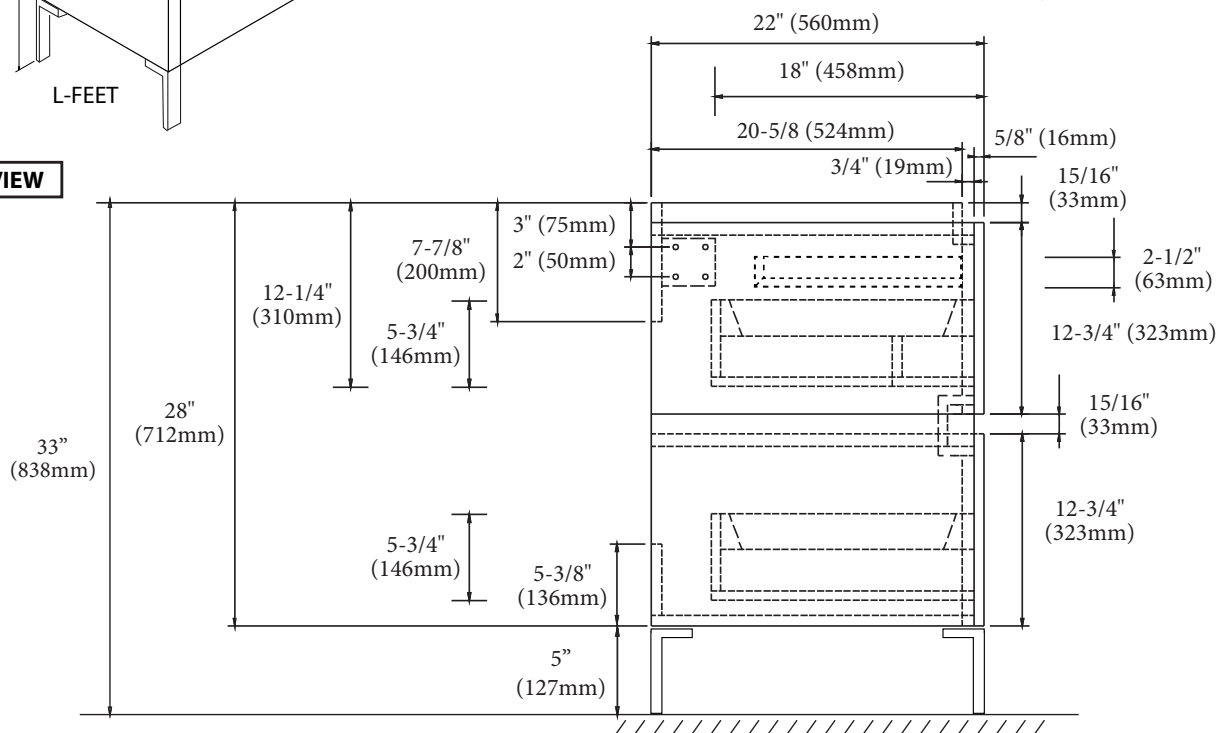
76" x 26" x 30"

### Weight

263 lbs. / 120kgs



### SIDE VIEW



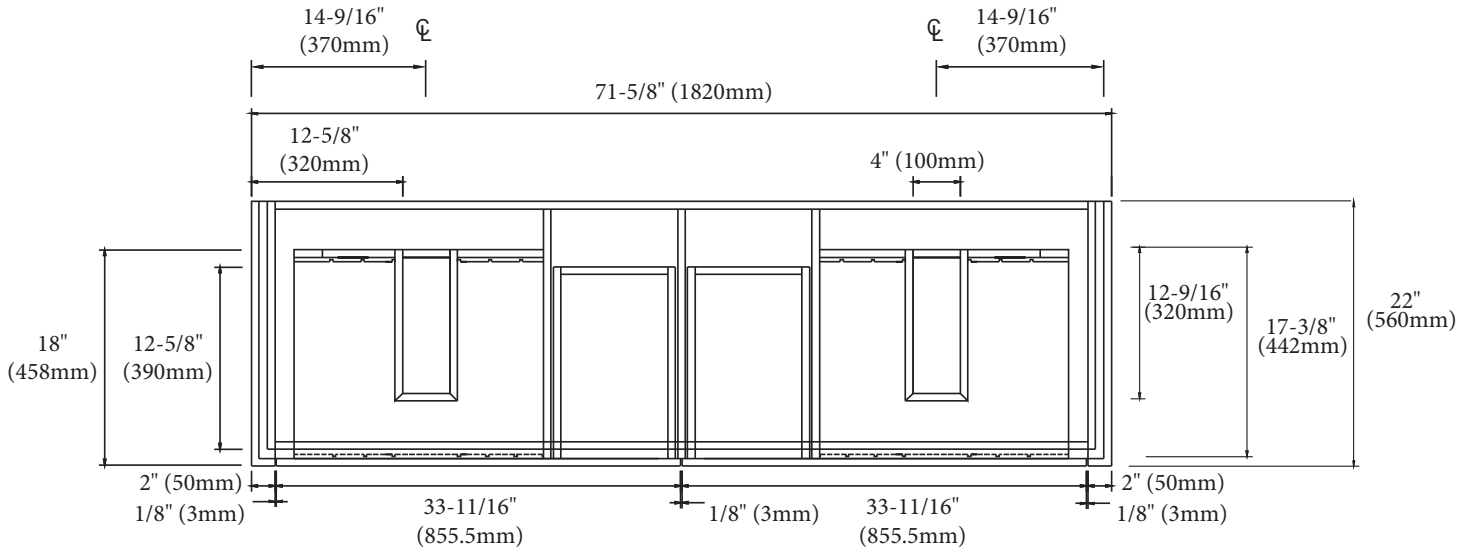
For clarification, please contact Madeli Customer Care at (800)-819-6988 or (305)-718-8817 Ext. 1

All dimensions are approximate and subject to standard tolerance. Specifications subject to change without prior notice.

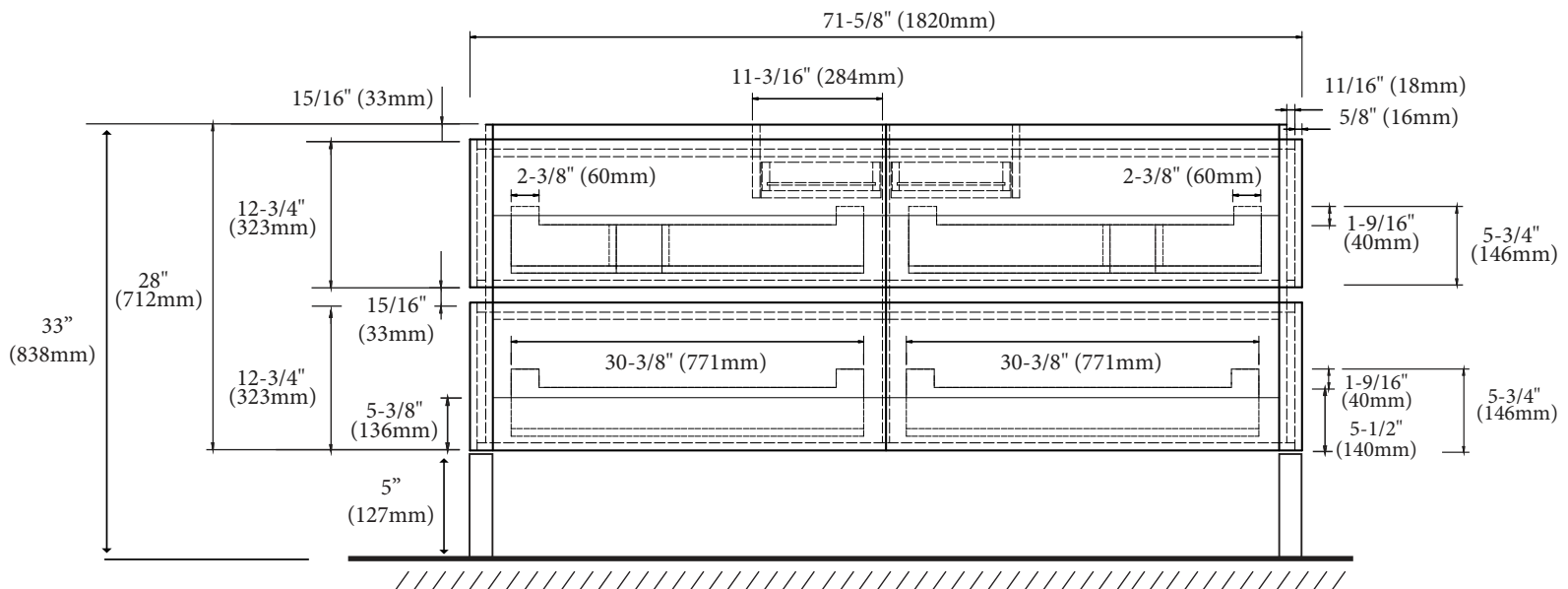
## Metro - 72" Double Bowl

## Specification & Installation Guide

### TOP VIEW



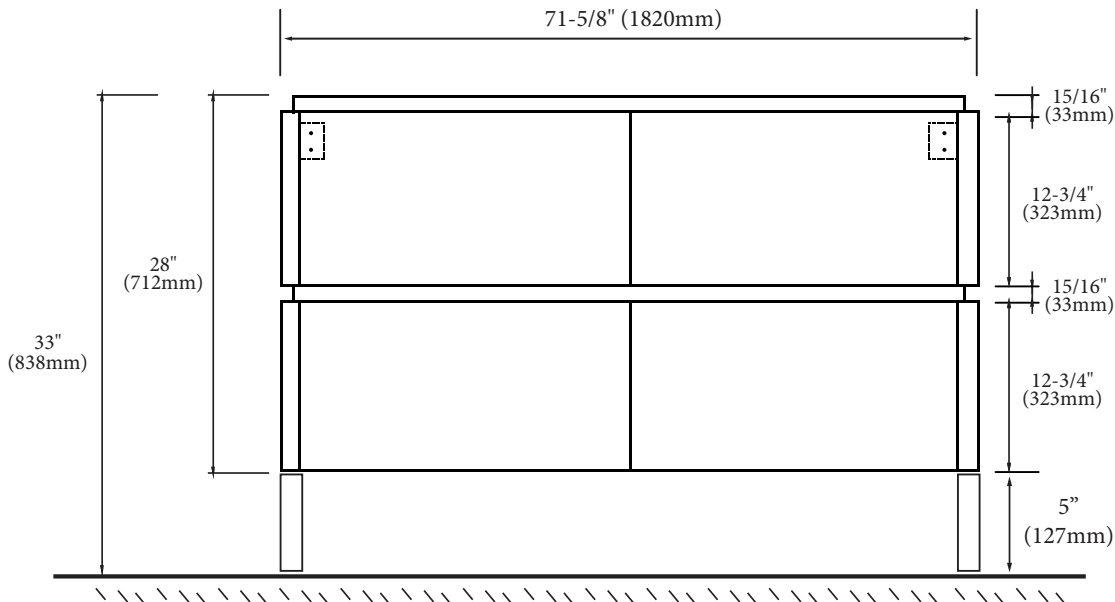
### BACK VIEW



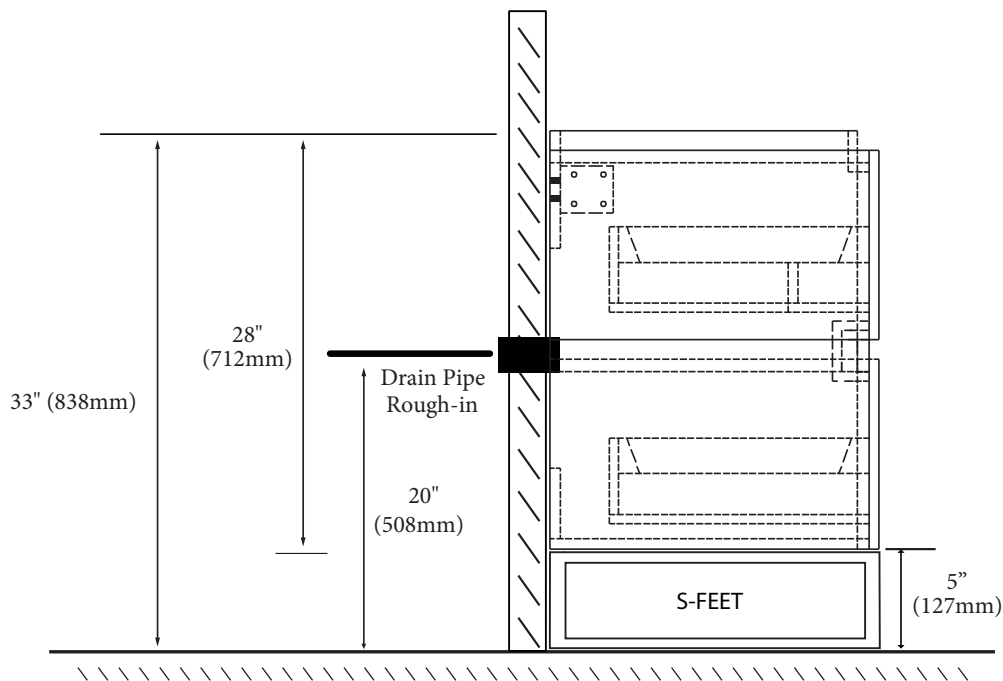
## Metro - 72" Double Bowl

## Specification & Installation Guide

### FRONT VIEW



### ROUGH-IN DIMENSIONS



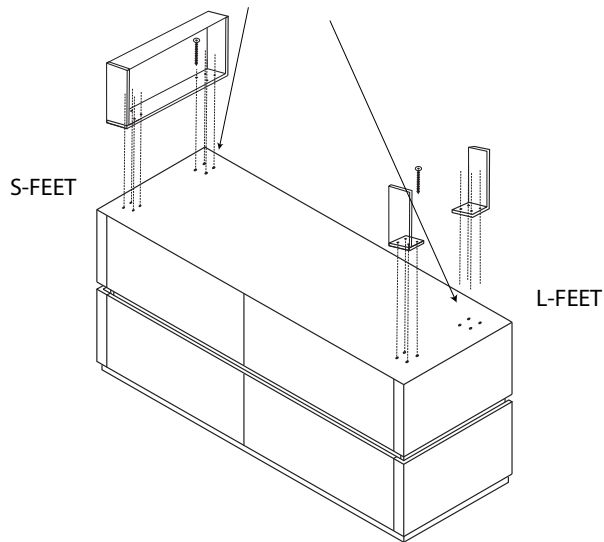
## Metro - 72" Double Bowl

## Specification & Installation Guide

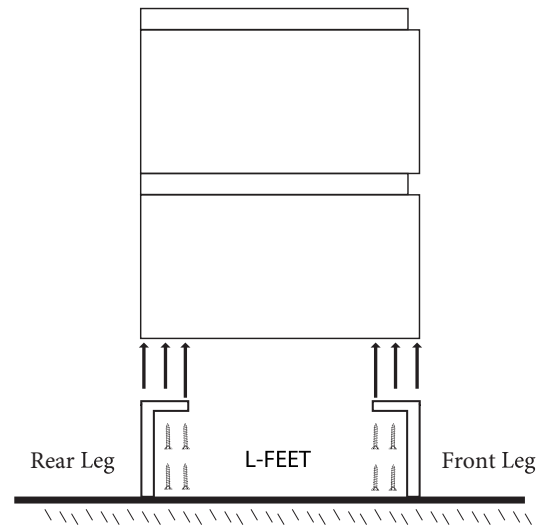
### INSTALLATION INSTRUCTIONS

#### 1. Install legs

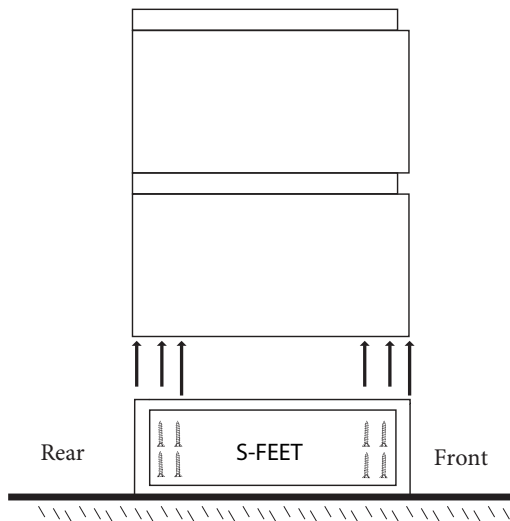
1. Place feet in indicated positions.
2. Mark screw locations.
3. Pre-drill holes with 5/64, 3/32 or 7/64 drill bit about 1/2" deep.
4. **DO NOT OVER TIGHTEN THE SCREWS. DOING SO WILL SPLIT THE WOOD SIDE PANEL.**
5. If using a regular battery drill, set clutch to minimum and increase setting as needed.
6. **DO NOT USE AN IMPACT DRILL. IT WILL SPLIT THE WOOD SIDE PANEL.**



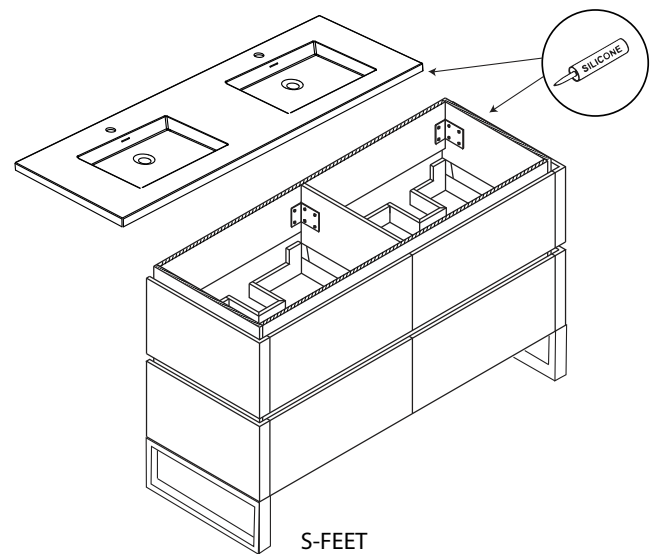
#### 2. L- Feet installation



#### 3. S- Feet installation



#### 4. Install countertop with Silicone



**For clarification, please contact Madeli Customer Care at (800)-819-6988 or (305)-718-8817 Ext. 1**  
All dimensions are approximate and subject to standard tolerance. Specifications subject to change without prior notice.

04 | Page