

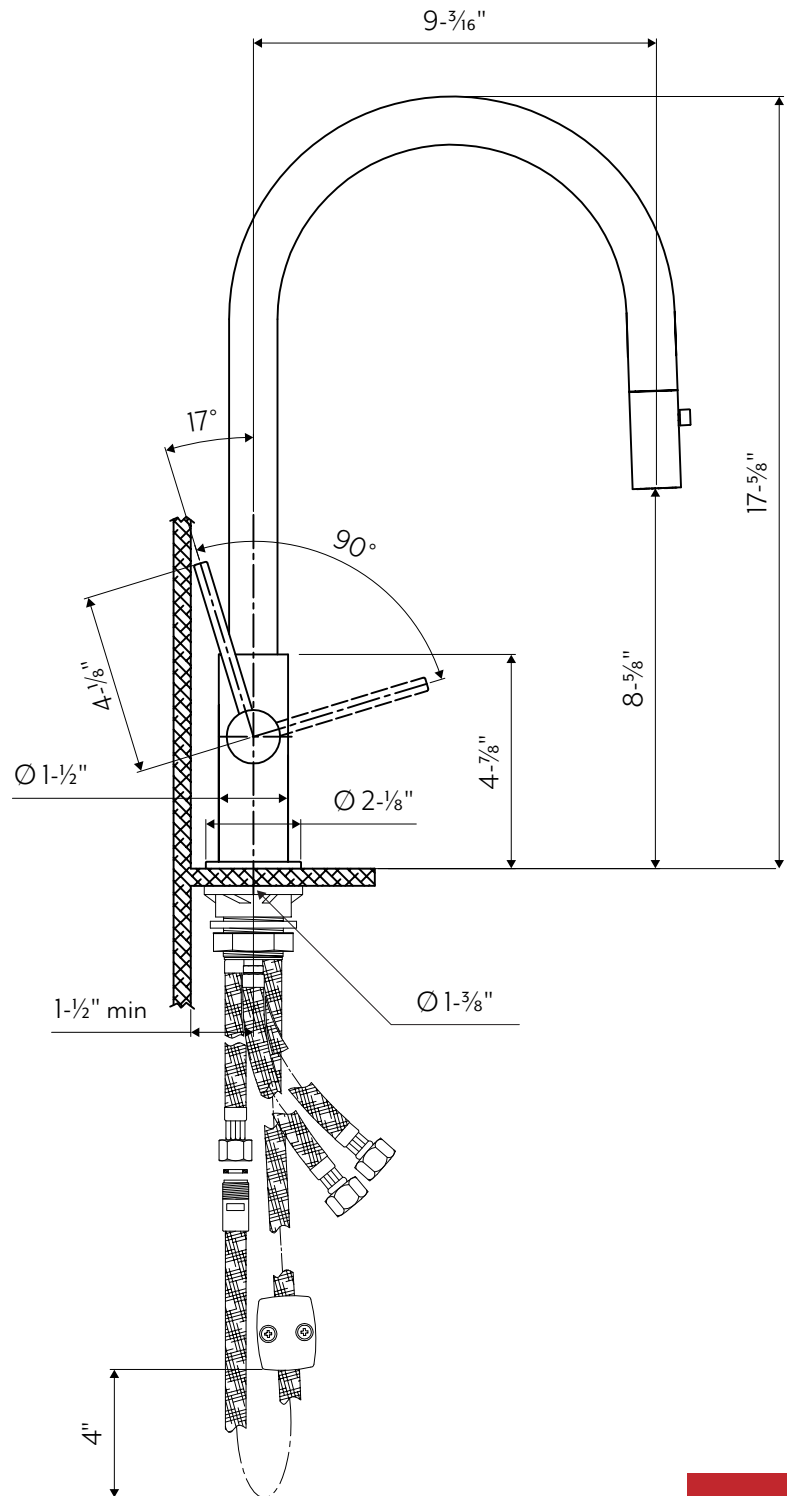
MODEL **SPIN D**

Single Hole Pull-Out Stainless Steel Kitchen Faucet with Dual Spray Toggle Button

SP-VD-KF

SP-VD-KF-SSM	Stainless Steel Matte
SP-VD-KF-SSP	Stainless Steel Polished
SP-VD-KF-SSMB	Stainless Steel Matte Black PVD
SP-VD-KF-SSMG	Stainless Steel Matte Gold PVD
SP-VD-KF-SSMRG	Stainless Steel Matte Rose Gold PVD*
SP-VD-KF-SSMT	Stainless Steel Matte Titanium PVD*

- Marine Grade 316L machined stainless steel construction
- Maximum counter thickness: 1-5/8"
- Minimum install hole diameter: 1-3/8"
- Braided stainless steel flexible hoses: 3/8" compression
- Hose pull-out length up to 15"
- The lever rotates 90°, and goes back only 17°, making it ideal for tight installations
- The spout rotates 360°
- Flow rate: 1.75 GPM at 45 PSI in conformity with CalGreen and WaterSense requirements
- Right-side lever installation only
- Cold water flow positioned towards front for child safety
- Counterweight ensures smooth gliding hose
- Docking system ensures easy alignment and firm positioning of the spray in the spout
- The spray pattern is controlled by the elegant stainless steel toggle button
- EasyClean spray face
- Fully recyclable
- 100% lead free – the ideal choice for your drinking water
- Areas of application: Indoor & outdoor



* Available by special order only.
Please allow 14-16 weeks lead-time.

FB Forte Brands™

393 Fortune Blvd, Milford, MA 01757 USA
1.844.992.8371

fortebrands.com



Exclusively distributed in North America by Forte Brands.