

## DESCRIPTION

- Metal construction with various finishes identified by suffix
- Includes showerhead, arm, flange and diverter spout
- Includes red and blue temperature markings

## OPERATION

- Handle operates counterclockwise through a 270° arc with off at 6 o'clock and maximum hot at the 9 o'clock position.
- Shut off in clockwise direction
- Adjustable temperature limit stop to control maximum hot water temperature
- Pressure balancing mechanism maintains selected discharge temperature to ± 3°

## FLOW

- Showerhead is limited to 2.5 gpm (9.5 L/min) at 80 psi
- EP suffix models are limited to 1.75 gpm (6.6 L/min) at 80 psi

## CARTRIDGE

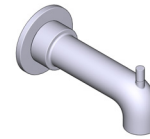
- 1212 cartridge design
- Nonmetallic/nonferrous and stainless steel materials
- Accommodates back to back installations

## STANDARDS

- Third party certified to meet ASME A112.18.1/CSA B125.1 and all applicable requirements referenced therein
- EP suffix models are third party certified to WaterSense®
- ADA for lever handle

## WARRANTY

- Lifetime limited warranty against leaks, drips and finish defects to the original homeowner
- 10 year limited warranty when used in a multifamily installation
- 5 year limited warranty when used in a commercial installation
- Visit [www.moen.com/support](http://www.moen.com/support) for complete details and limitations



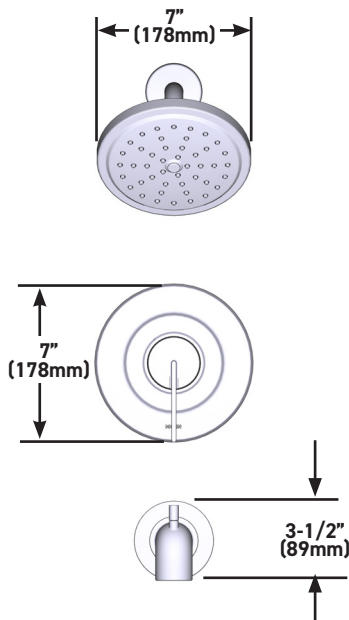
**CIA™**

Single-Handle POSI-TEMP® Tub/Shower Trim Kit

**MODELS:** T2261 series - valve trim only  
T2262 series - shower trim only  
T2263 series - tub/shower trim

### NOTE:

**Valves: 62300 series, 2500 series**



**CRITICAL DIMENSIONS** DO NOT SCALE

