

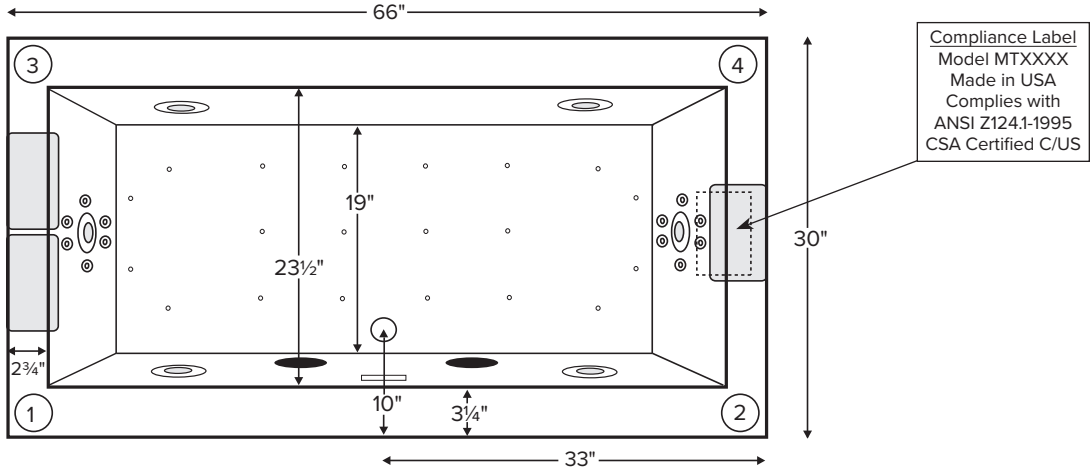
# Designer Collection Tubs

## Andrea® 28

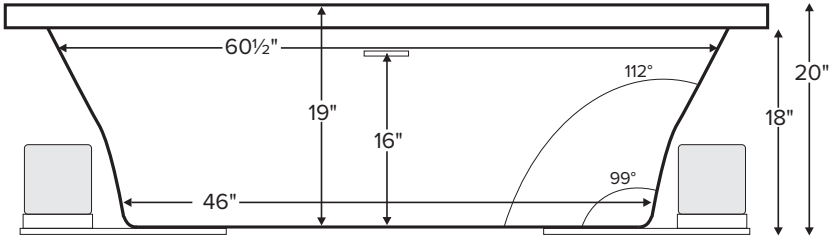


Features an integrated slotted overflow with direct toe tap drain.

MODEL 239		
66" x 30" x 20"		
DROP-IN or UNDERMOUNT 71 gal to overflow		
<b>Acrylic CXL®</b>	<b>DoloMatte®</b>	
115 lbs / 52 kg	<SOAKER>	129 lbs / 59 kg
140 lbs / 64 kg	<PLUMBED>	154 lbs / 70 kg
Filling this tub to the maximum may require an above average size or dedicated water heater.		



Numbered areas on tub deck represent possible locations to install cleaning systems, faucets and other fixtures.  
Shown as Air Bath



### IMPORTANT ORDERING & INSTALLATION INFORMATION

- Before ordering or installing, please consider future access to equipment.
- Add proper bedding compound to fully level and support bottom of tub.
- When equipped with an air bath package, pre-leveled foam base or frame system, overall tub height is increased by approx. 2-3" and is designed to install on a flat, level subfloor.
- Radiance placed on airbath floor will affect placement of air jets.
- System components may extend beyond the perimeter of deck.
- Please measure tub **on-site** before building tub decking.
- Advise MTI when planning to use a glass enclosure. Relocation of controls may be necessary.
- Suction and control locations may vary.
- All tubs are compliant with ASTM C 1028-07 coefficient of friction. DoloMatte meets ANSI A137.1/ A326.3 coefficient of friction and AS HB198:2014 slip tests.

### ELECTRICAL COMPONENTS & SPECIFICATIONS

Hydrotherapy Package	Components Included	GFCI / 110V
Standard Whirlpool	2-bhp pump	1-15 amp
Stream Bath	1/2-bhp, ozone	1-20 amp
Microbubbles	Microbubbles pump	1-15 amp
Ultra Whirlpool	2-bhp pump x 2, inline heater, ozone	2-20 amp
Air Massage	heated blower	1-15 amp
Air Massage Elite	heated blower, chromatherapy	1-15 amp
Air Massage w/ Stream Bath	1/2-bhp pump, heated blower, ozone	1-20 amp
Air Massage Elite w/ Stream Bath	1/2-bhp pump, heated blower, chromatherapy, ozone	1-20 amp

Hydrotherapy Package	Components Included	GFCI / 110V
Microbubbles with Air	Microbubbles pump, heated blower	1-20 amp
Microbubbles with Air Elite	Microbubbles pump, heated blower, chromatherapy	2-15 amp
Air with Whirlpool	2-bhp pump, heated blower	2-15 amp
Air with Ultra Whirlpool	2-bhp pump x 2, inline heater, heated blower, ozone	2-20 amp
Air Elite with Whirlpool	2-bhp pump, heated blower, chromatherapy	2-15 amp
Air Elite with Ultra Whirlpool	2-bhp pump x 2, inline heater, heated blower, chromatherapy, ozone	2-20 amp

Electrical requirements may change with the addition of optional therapy components. See specific option details or installation information. CSA Certified C/US; B45.5/IAPMO ANSI Z124.1 and ANSI 112.19.7

See the Installation & Operation Manual for more details. MTI's Customer Service Monday-Friday 8am-6pm EST 800-783-8827 or service@mtibaths.com

- Before discarding tub crate, check for accessories that may be packaged inside.
- All product measurements are ±1/2".
- Specifications and configurations are subject to change without notice.
- Measurements herein supersede all others published prior to publication date below.



- Aromatherapy is eliminated for undermount applications
- Air Baths, Pre-Levelled Foam Base or Frame Systems increase overall height by 2-3".

Andrea® 28  
 MODEL 239  
 66" x 30" x 20"

Hydrotherapy Packages	Package Contents	Acrylic CXL®		DoloMatte®	
		Part #	MSRP	Part #	MSRP
Soaker	Soaking bath - no jets, integrated slotted overflow with toe-tap drain kit in chrome.	S239-DI	\$2,685	S239DM-DI	\$3,225
		S239-UM		S239DM-UM	
Stream Bath	6 side vents, 2 end vents, 1/2 bhp pump, Ozone, integrated slotted overflow with toe-tap drain kit in chrome.	SM239-DI	\$4,975	SM239DM-DI	\$5,515
		SM239-UM		SM239DM-UM	
Microbubbles	1 microbubbles infusion port and pump, integrated slotted overflow with toe-tap drain kit in chrome.	M239-DI	\$5,675	M239DM-DI	\$6,215
		M239-UM		M239DM-UM	
Air Massage	20 air jets, heated air blower, Aromatherapy, pre-leveled foam base, integrated slotted overflow with toe-tap drain kit in chrome.	AST239-DI	\$5,970	AST239DM-DI	\$6,510
		AST239-UM		AST239DM-UM	
Air Massage Elite	30 air jets, heated air blower, Aromatherapy, Chromatherapy LED lighting, Spa Mode, pre-leveled foam base, integrated slotted overflow with toe-tap drain kit in chrome.	AE239-DI	\$7,680	AE239DM-DI	\$8,220
		AE239-UM		AE239DM-UM	
Stream Bath with Air Massage	6 side vents, 2 end vents, 1/2 bhp pump, Ozone, 20 air jets, heated air blower, Aromatherapy, pre-leveled foam base, integrated slotted overflow with toe-tap drain kit in chrome.	ASTSM239-DI	\$7,810	ASTSM239DM-DI	\$8,350
		ASTSM239-UM		ASTSM239DM-UM	
Stream Bath with Air Massage Elite	6 side vents, 2 end vents, 1/2 bhp pump, Ozone, 30 air jets, heated air blower, Aromatherapy, Chromatherapy LED lighting, Spa Mode, pre-leveled foam base, integrated slotted overflow with toe-tap drain kit in chrome.	AESM239-DI	\$9,700	AESM239DM-DI	\$10,240
		AESM239-UM		AESM239DM-UM	
Microbubbles with Air Massage	1 microbubbles infusion port and pump, 20 air jets, heated air blower, Aromatherapy, pre-leveled foam base, integrated slotted overflow with toe-tap drain kit in chrome.	ASTM239-DI	\$8,420	ASTM239DM-DI	\$8,960
		ASTM239-UM		ASTM239DM-UM	
Microbubbles with Air Massage Elite	1 microbubbles infusion port and pump, 30 air jets, heated air blower, Aromatherapy, Chromatherapy LED lighting, Spa Mode, pre-leveled foam base, integrated slotted overflow with toe-tap drain kit in chrome.	AEM239-DI	\$10,040	AEM239DM-DI	\$10,580
		AEM239-UM		AEM239DM-UM	
Standard Whirlpool	6 point-massage jets, 2-bhp pump, integrated slotted overflow with toe-tap drain kit in chrome.	P239-DI	\$4,815	P239DM-DI	\$5,355
		P239-UM		P239DM-UM	
Ultra Whirlpool	6 point-massage jets, 12 micro-jets with Tsubo massage, 2 2-bhp pumps, inline heater, Ozone, integrated slotted overflow with toe-tap drain kit in chrome.	P239U-DI	\$6,610	P239UDM-DI	\$7,150
		P239U-UM		P239UDM-UM	
Air Massage with Standard Whirlpool	6 point-massage jets, 2-bhp pump, 20 air jets, heated air blower, Aromatherapy, pre-leveled foam base, integrated slotted overflow with toe-tap drain kit in chrome.	AW239-DI	\$8,100	AW239DM-DI	\$8,640
		AW239-UM		AW239DM-UM	
Air Massage with Ultra Whirlpool	6 point-massage jets, 12 micro-jets with Tsubo massage, 2 2-bhp pumps, inline heater, 20 air jets, heated air blower, Aromatherapy, Ozone, pre-leveled foam base, integrated slotted overflow with toe-tap drain kit in chrome.	AU239-DI	\$9,895	AU239DM-DI	\$10,435
		AU239-UM		AU239DM-UM	
Air Massage Elite with Standard Whirlpool	6 point-massage jets, 2-bhp pump, 30 air jets, heated air blower, Aromatherapy, Chromatherapy LED lighting, Spa Mode, pre-leveled foam base, integrated slotted overflow with toe-tap drain kit in chrome.	AEAP239-DI	\$9,810	AEAP239DM-DI	\$10,350
		AEAP239-UM		AEAP239DM-UM	
Air Massage Elite with Ultra Whirlpool	6 point-massage jets, 12 micro-jets with Tsubo massage, 2 2-bhp pumps, inline heater, 30 air jets, heated air blower, Aromatherapy, Ozone, Chromatherapy LED lighting, Spa Mode, pre-leveled foam base integrated slotted overflow with toe-tap drain kit in chrome.	AEAP239U-DI	\$10,795	AEAP239UDM-DI	\$11,335
		AEAP239U-UM		AEAP239UDM-UM	

RECOMMENDED SENSORY THERAPIES

**Chromatherapy**

(LE) **\$800** underwater lighting  
 2 LED lights included

**Audiotherapy**

(STEREOBT) **\$1,390** 2 transducers with bluetooth and amplifier  
 (BTREMOTE) **\$600** bluetooth remote

(STEREOH202) **\$1,575** 4 transducers amplifier not included

**Thermaltherapy**

(RAD100) **\$1,595** Radiance®  
 2 heated zones included  
 (HTISOAK) **\$825**



For more information on options and accessories go to Acrylic Tub Options at mtibaths.com

<b>Options</b> <i>Must be ordered at time of purchase.</i>
<b>Standard Colors</b> White (CWH) DoloMatte available in matte white only. Biscuit (CBS) Not available for DoloMatte.
<b>Quick Ship</b> reduces lead time (QSPRI) <b>\$430</b> <i>Please call for availability</i>
<b>Inline Heater</b> maintains water temperature <b>For Soaker or Air Baths (HTISOAK) \$825</b> Includes a recirculating pump <i>Cannot be combined with Microbubbles.</i>
<b>Virtual Spout</b> high-flow integrated tub filler (FPMJ) <b>\$450</b> <i>Virtual Spout location is left of the overflow, unless otherwise specified on order.</i>
<b>Grab Bars</b> from <b>\$330</b> <i>Selections vary. Personalization available.</i>
<b>Textured Bottom</b> (TXTBTM) Acrylic CXL® only <b>\$105</b> DoloMatte® exceeds ANSI A1371/A326.3 and AS HB198 slip tests.
<b>Low-Profile Rim</b> - reduces rim height to 1" (LPR) <b>\$265</b>
<b>Accessories</b>
<b>Pillows</b> from <b>\$180</b>
<b>Teak Bath Mat</b> (TKMAT3018) <b>\$815</b> <i>Custom sizes also available. Contact MTI for details and pricing.</i>
<b>Teak Tub Tray</b> Slatted (TK-TRAY1) <b>\$500</b> Solid (TK-TRAY2) <b>\$570</b>

<b>Installation Options</b> <i>Must be ordered at time of purchase.</i>
<b>Pre-Leveled Foam Base</b> (PLFOAM) <b>\$295</b> All airbaths include a pre-leveled foam base.
<b>Pre-Leveled Frame and Foam Base</b> (PLF) <b>\$740</b>
<b>Pre-Leveled Frame and Foam Base with Skirting</b> (Acrylic CXL® tubs only) <i>For pricing and details go to mtibaths.com</i>

<b>Drains &amp; Overflow Kits</b> <i>Must be ordered at time of purchase</i>
<b>Integrated Toe Tap</b>
<b>Slotted Overflow</b> PVC drain - Chrome (SLOTIOC) included
<b>Finish Upcharge</b> Brushed Nickel (SLOTIOBNU) <b>+\$65</b> Polished Nickel (SLOTIOPNU) <b>+\$105</b> White (SLOTIOWHU) <b>+\$65</b>
<b>Round Overflow</b> Chrome (RIOBC) may substitute slotted overflow
<b>Finish Upcharge</b> Brushed Nickel (RIOBN) <b>+\$120</b> Polished Nickel (RIOPN) <b>+\$120</b> White (RIOWH) <b>+\$120</b>

<b>Hydrotherapy Equipment &amp; Cleaning Systems</b> <i>Must be ordered at time of purchase.</i>
<b>Inline Heater</b> maintains water temperature <b>For Whirlpools or Stream Bath (HTI) \$570</b> Uses existing pump <i>Cannot be combined with Microbubbles.</i>
<b>Whirlpool Cleaning Systems</b> Fill-Flush (FFSO) <b>\$590</b> Simple Touch (FFE) <b>\$1,020</b> <i>Must specify stub-out location on order. See page 1 for location options.</i>
<b>Whirlpool Jets</b> Pump upgrade may be advisable for optimal performance when adding jets. <b>Point-Massage Jet</b> Extra Point-Massage Jet (EJ) <b>\$315</b> <b>Micro-Jet</b> from <b>\$360</b> <i>Jet styles and packages vary. Personalization available.</i>
<b>Pump Upgrade</b> - 3-bhp (PUMP3) <b>\$315</b>
<b>Jet Trim Kits</b> <b>For Standard Whirlpool</b> Chrome (TRC) <b>\$270</b> , Brushed Nickel (TRBN) <b>\$725</b> <b>For Ultra Whirlpool</b> Chrome (TRCU) <b>\$370</b> , Brushed Nickel (TRBNU) <b>\$960</b>
<b>Ozonator</b> (OZONE) <b>\$515</b> <i>Cannot be added to soakers or airbaths without combination hydrotherapy package or HTISOAK.</i>

<b>Tile Flange</b> <b>Factory-Installed on 3 sides</b> - rigid ABS (TFK3) <b>\$200</b> <b>Field Install Kit</b> - includes rigid ABS & adhesive (TFKNI) <b>\$185</b> <b>IMPORTANT:</b> <i>Must specify flange location(s) on order of Factory-Installed Flange. Not available with optional Low-Profile Rim.</i>
---