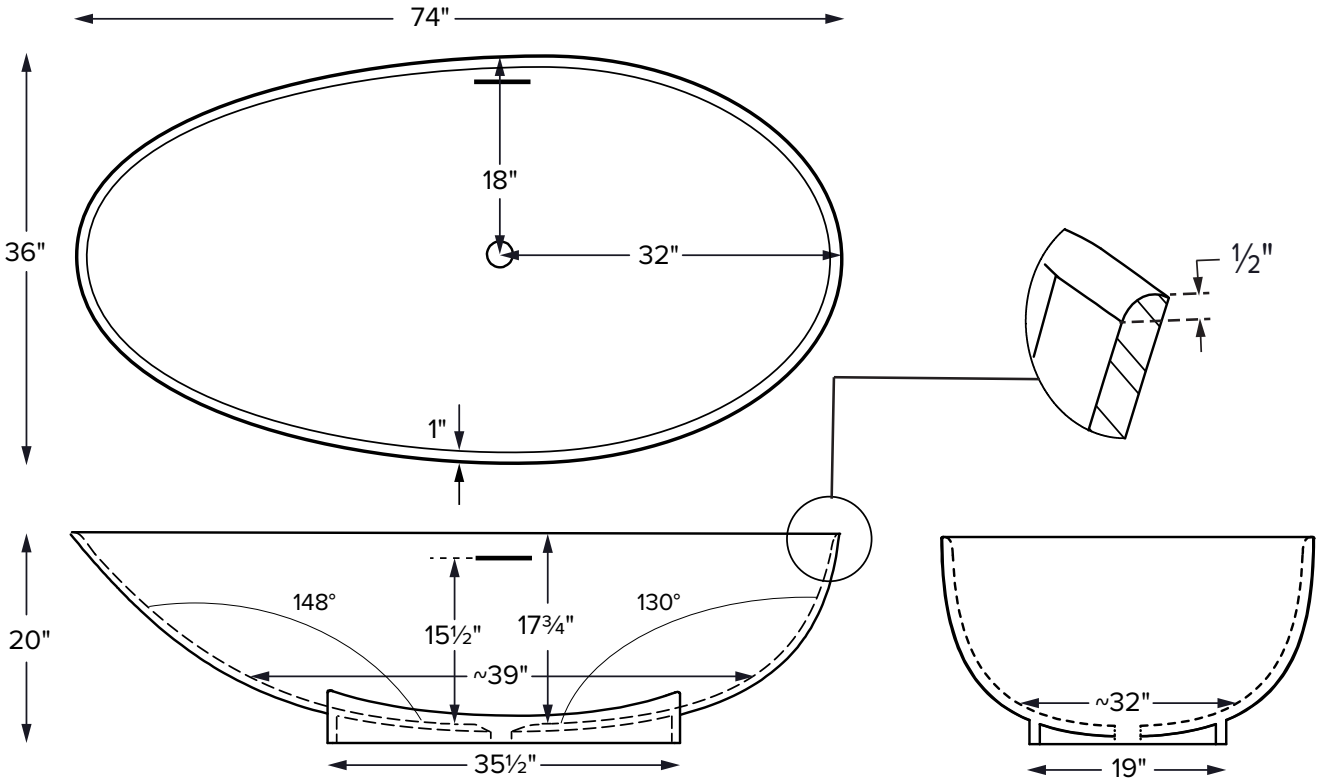


Alva



Features an integrated overflow.

| |
|--|
| MODEL 259 |
| 74" x 36" x 20" |
| FREESTANDING (cannot be undermounted) 92 gal to overflow |
| SculptureStone® |
| 250 lbs / 113 kg |
| Filling this tub to the maximum may require an above average size or dedicated water heater. |



Footprint: 35 1/2" x 19"

| |
|---|
| ELECTRICAL COMPONENTS & SPECIFICATIONS |
| Available as Soaker only |
| CSA Certified C/US; ANSI Z124.1 |

- IMPORTANT ORDERING & INSTALLATION INFORMATION**
- Before ordering or installing, please consider future access to equipment.
 - Includes an integrated overflow with toe tap drain in chrome finish. May be specified without an overflow (see local codes before ordering without an overflow).
 - Faucet valves cannot be mounted on this tub model.

See the Installation & Operation Manual for more details.
MTI's Customer Service: Monday-Friday 8am-6pm EST
800-783-8827 or service@mtibaths.com

• Before discarding tub crate, check for accessories that may be packaged inside.
• All product measurements are ±1/2".
• Specifications and configurations are subject to change without notice.
• Measurements herein supersede all others published prior to publication date below.



For more information on options and accessories go to SculptureStone® Tubs Options on mtibaths.com

Alva
 MODEL #: 259
 74" x 36" x 20"

| Hydrotherapy | Package Contents | Part # | MSRP |
|--------------|---|--------|---------|
| Soaker | Soaking bath - no jets. Includes an integrated slotted overflow with a toe-tap drain kit. | S259 | \$8,545 |

| Options <small>Must be ordered at time of purchase</small> |
|---|
| Quick Ship (QSPRI2) \$1,025 reduces lead time <i>Please call for availability</i> |
| Standard Color White, matte finish Biscuit Color Upgrade (SSBI) \$310 matte finish <i>Additional material colors available for projects only. Please call MTI.</i> |
| Hand-Polished Deep Gloss Finish (SSGLOSS) \$1,085 upcharge For white or biscuit |
| Exterior Color \$1,760 (SSCOLTG) Gloss Finish (SSCOLTM) Matte Finish Must specify color code: Sapphire Blue (SB), Blue Lagoon (BL), Terracotta (TC), Onyx (OX), Stratus Gray (TG), Stormgray (SG) <i>Adds 20 business days to standard lead time.</i> |
| Accessories |
| Teak Bath Mat (TKMAT3018) \$815 Measures 30" x 17.5" x 1" <i>Custom sizes also available. Contact MTI for details.</i> |
| Floor-Mounted High-Flow Tub Filler Contemporary Chrome (FILLC) \$1,480 Brushed Nickel (FILLBN) \$1,710 |
| SculptureStone® Tub Tray Without Stemware Holder (SSTRAY1) \$340 With Stemware Holder (SSTRAY2) \$450 <i>Color and finish will come matched with tub</i> |
| Teak Tub Tray Slatted (TK-TRAY1) \$500 Solid (TK-TRAY2) \$570 <i>Order with tub for best fit</i> |

Drains & Overflow Kits Must be ordered at time of purchase

| Toe Tap Drain Cover Finishes |
|---|
| PVC drain - Chrome included |
| +\$50 upcharge Br. Nickel (WIOBN), Pol. Nickel (WIOPN) |
| +\$85 upcharge Matte Black (WIOMB) |
| +\$105 upcharge Oil-Rubbed Bronze* (WIOOR) |
| +\$640 upcharge Special Finish* (WIOSF) |
| <i>Send finish sample to MTI Baths for best match.</i> |

| Boutique Accessories |
|--|
| Packaging / Handling Fee Applies |
| SculptureStone® Bathroom Table (TABLE) \$825 matte finish +\$410 gloss finish upcharge (SSGLOSSSNK) <i>Order with tub for best color match</i> |
| SculptureStone® Standard Faucet Stand Small - 3-hole capacity 14¼" w x 20½" h Matte (STAND) \$725 Large - 5-hole capacity 22" w x 21½" h Matte (STANDL) \$855 +\$410 gloss finish upcharge (SSGLOSSSNK) |
| SculptureStone® Premium Faucet Stand |
| 15" w x 39" h Matte (SSFSR3915MT) \$2,365 Gloss (SSFSR3915GL) \$2,720 |
| 10" w x 39" h Matte (SSFSR3910MT) \$2,135 Gloss (SSFSR3910GL) \$2,525 |
| 20" w x 23" h Matte (SSFSR2320MT) \$1,930 Gloss (SSFSR2320GL) \$2,315 |
| 15" w x 23" h Matte (SSFSR2315MT) \$1,825 Gloss (SSFSR2315GL) \$2,180 |
| SculptureStone® Premium Component Stand |
| 20" l x 22.5" h Matte (SSPX1MT) \$2,000 Gloss (SSPX1GL) \$2,640 <i>Compatible with select tub models.</i> <i>Go to www.mtibaths.com</i> |

| Toe Tap SculptureStone® Drain Cover Finishes |
|--|
| Upgrade is in lieu of standard chrome to tap drain cover. White only |
| +\$90 upcharge Matte Finish (SSWIOMT) |
| +\$110 upcharge Gloss Finish (SSWIOGL) |
| Brass Tailpiece (WIOBS) \$85 in addition to finish charge listed above |
| Quick Drain Kit (WOQ) \$460 |

* MTI has selected an oil-rubbed bronze finish that is compatible with Delta and many other manufacturers. To ensure best match, order as a Special Finish and submit a sample.
 CSA # MTCT- 259

* Allow 2-4 weeks lead time for Special Finishes.
 Send sample for best match.

