

City 6030 (right hand drain)

Product code : **CI6030R**

Draft revision : **20131113161500**

External dimensions : **60" x 30" x 18,5" [152,4 cm x 76,2 cm x 47,0 cm]**

Series : **deck mount**

Seats : **1**

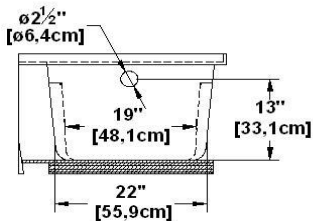
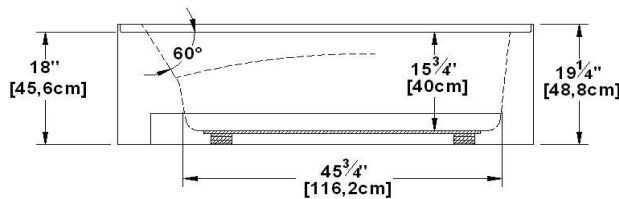
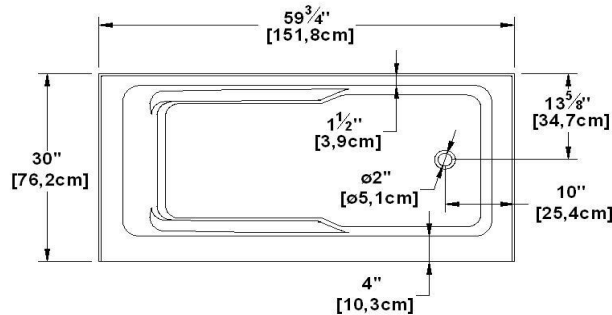
2012 catalog page :

Lumbar support : **yes**

Arm rests : **yes**

Low-profile available : **no**

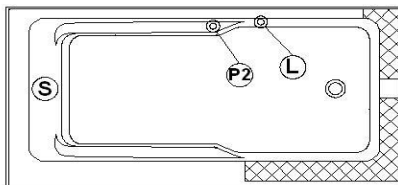
Draft and specs



Specifications	
Capacity :	33 IMP Gal. / 43,0 US Gal. / 150,0 liters
AeroMassage™ :	43 Easy Clean™ air jets
Super AeroMassage™ :	AeroMassage™ + 12 Easy Clean™ air jets
Dynamic Turbo™ :	unavailable
Comfort Air™ :	43 Easy Clean™ air jets
Characteristics :	Textured floor, integrated front skirt

Remarks	
*all measures have a precision of ± 1/4" (0,63cm)	
*internal dimensions taken at 4" (10cm) from bath bottom	
*capacity is measured by filling the soaker to 1-1/2" under the overflow	
*textured skirt available on all Freestanding products	
*shelf height is 3/4" on all "low-profile" models	

Options and installation



accessories and decorative lines positions are approximative

Additional(s) note(s) :

Integrated acrylic tile flanges. If system, delivered with keypad not installed.

Legend		
(S)	Blower	(L) Chromatherapy light
(P2)	Pump	(P2) Grab bar
(C)	Keypad	
[X]	Recommended faucets drilling location*	
Deck cut-out line - - - - -		

Available models	
Model	Availability
Soaker alone	✓
Comfort Air™	✓
AeroMassage™	✓
Super AeroMassage™	✓
Dynamic Turbo™ (not available in the U.S.)	
Dynamic Turbo™ + AeroMassage™	
Dynamic Turbo™ + Super AeroMassage™	

Available recommended options	
Front skirt :	
Recommended drain : <i>WOCO14 (chrome finish)</i>	
Tile flanges : <i>integrated</i>	
Remote control** : <i>available</i>	
**Floating	

*It is possible to install the faucets elsewhere on the product. The installer must verify that there are no piping or wires before drilling.

IMPORTANT NOTE : Specifications, dimensions and models are subject to change.

Visit our website <http://www.oceania-attitude.com> to access up-to-date dimensions and informations. In all cases, information on the website is the most up-to-date. Dimensions may vary slightly. To ensure proper fit, mesurements must be taken on the product directly.

Head office

591, avenue des Entreprises
Thetford Mines, Quebec
CANADA G6H 4B2

Phone numbers

No-charge : 1-877-332-4224
Fax : 1-866-460-4334

Internet

Web : <http://www.oceania-attitude.com>
Email : info@oceaniabaths.com