

RENAISSANCE

MODEL LS41REN

As shown with
Stone Forest Renaissance counter

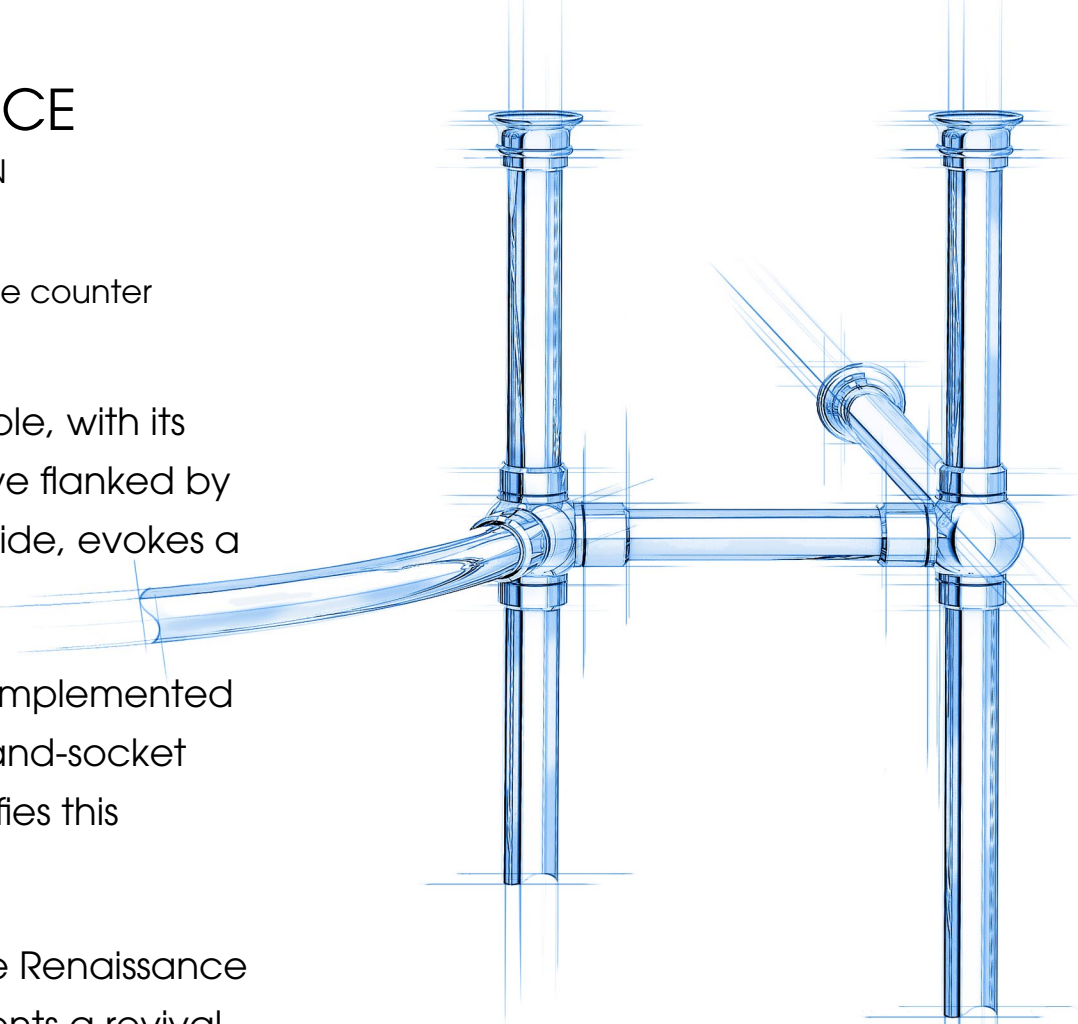
The Renaissance console, with its broadly sweeping curve flanked by pairs of legs on either side, evokes a classic palladian style.

The ball foot detail, complemented by the matching ball-and-socket joints harmoniously unifies this traditional design.

As its name implies, the Renaissance console design represents a revival of classical art and architecture expressed in timeless elegance.



Palmer Consoles are completely modular and custom built to any design and leg configuration



American Manufacturing



Providence, Rhode Island