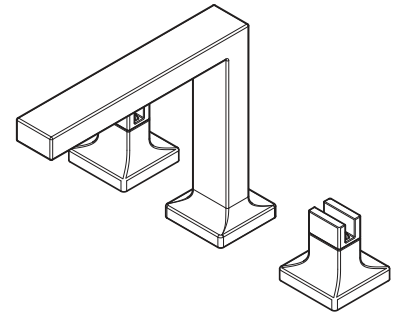


- LG49-VRV2B Finish(B)
- LG49-VRV2BG Finish(BG)
- LG49-VRV2C Finish(C)
- LG49-VRV2D Finish(D)



## Specifications

### Features

- 1.2 GPM Flow Rate
  - Adjustable Install
  - Concealed Screws
  - Fixed Hubs
  - Metal Push & Seal™ Drain
  - Mounting Hardware Included
  - Supply Lines Not Included
- Optional Handles Available:  
For L Handles Order HHL-VRVL\*  
For T Handles Order HHL-VRVT\*  
For Cross Handles Order HHL-VRVX\*
  - UltraSeal™ Ceramic Disc Valve
  - Pforever Warranty®



### Code Compliance

Pfister products are designed and manufactured in compliance with the following standards and codes:

- IAPMO Certified to ASME A112.18.1/CSA B125.1
- NSF/ANSI/CAN61:Q≤1
- EPA WaterSense Certified
- CEC Certified/CALGreen compliant
- ADA Compliant - ANSI A117.1 (Lever Handles Only)



## Dimensions

