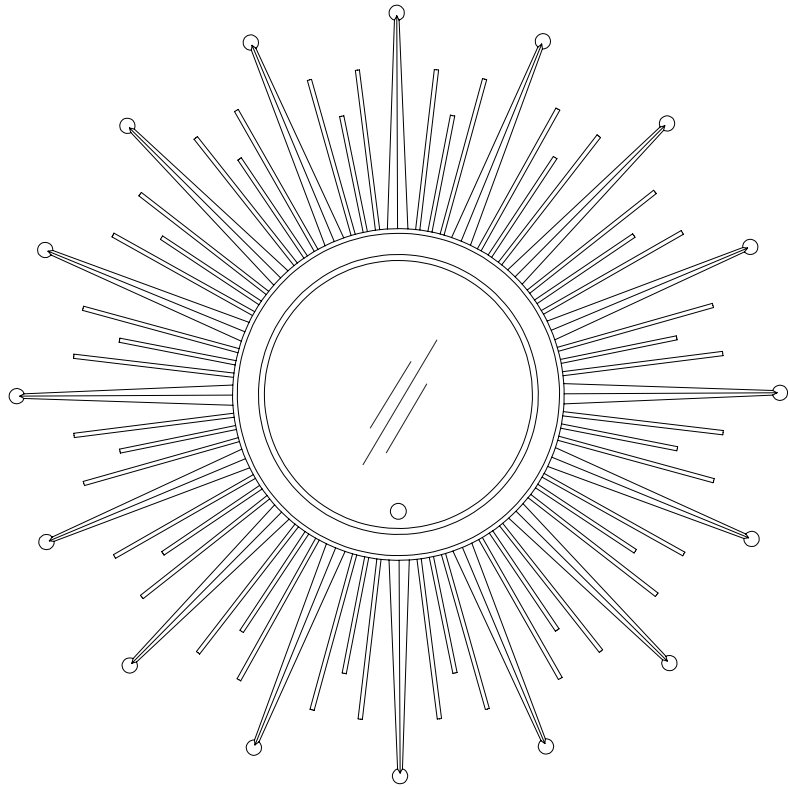


RONBOW



INSTALLATION AND CARE GUIDE

LED MIRROR
603536-FINISH

Model : 603536-FINISH

PRE-INSTALLATION

Tools Required

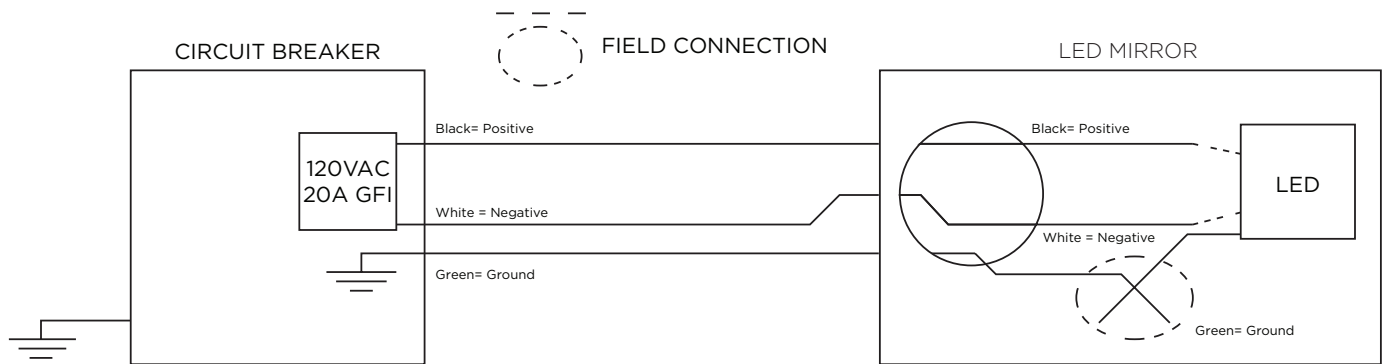


ALL WIRING SHOULD BE DONE BY A QUALIFIED LICENSED ELECTRICIAN.

WARNING: To reduce the risk of electrical shock, shut off power before wiring the cabinet.

CAUTION: Requires 120V 20AMP circuit.

CAUTION: The LED mirror must be wired to a GFI (ground fault interrupter) circuit breaker when used in bathrooms and all other locations required by the national electric code.



Materials Included

- 2 anchors
- 2 anchor screws

Model : 603536-FINISH

INSTALLATION

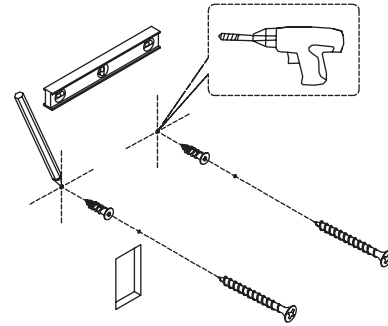
Step 1: Determine the ideal location of your new mirror.

Mark the locations of the anchors on the dry wall.

Fasten the anchor screws into the anchor. Leave at least 1/8" of the screw head exposed.

See Figure 1.

Figure 1.



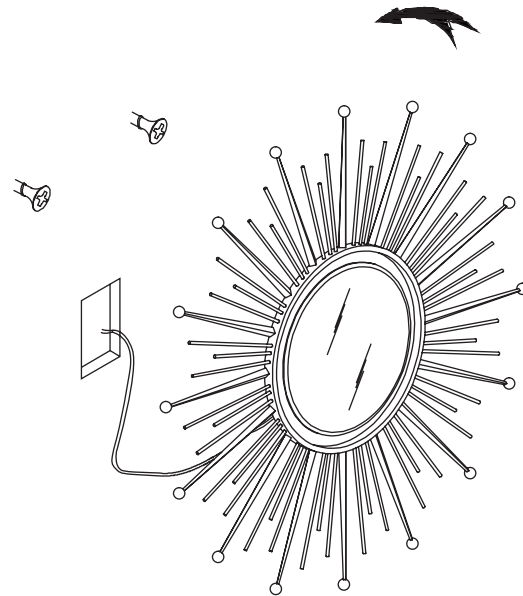
Step 2: Cut a rough opening for the electrical box.

Step 3: Attach the wires from the mirror to the house.

Any excess wires can be hidden in the electrical box.

See Figure 2.

Figure 2.



Step 4: Match the key holes on the back of the mirror to the anchor screws and gently sit the mirror on the screws.

Verify the mirror is level with a leveler.

Model : 603536

PRODUCT CARE AND MAINTENANCE

The fine furniture finish of your new vanity, mirror or other bathroom accessories are designed to protect against normal home use. With proper care, your product will provide years of use and beauty in your home.

General Care Tips

- Test cleaning product on small, discrete area prior to applying to entire surface.
- Wipe surfaces frequently with dry, soft, non-abrasive and lint-free towel.
- Do not allow liquids and moisture to accumulate on the surface of products.
- For warranty information, please visit our website at www.ronbow.com or contact the Customer Service Department at (510) 713-1188.