

Kiwami® Asymmetrical Vessel Lavatory

FEATURES

- 18-1/8"W x 16-1/2"D x 5-1/8"H
- CEFIONTECT® ceramic glaze minimizes debris and mold from sticking to surface
- CLEAN MATTE finish achieves a smoother surface that makes dirt removal easier while improving design (#CMW only)
- Crafted with LINEARCERAM® – a durable material for an ultra sleek and modern design
- Drain and decorative drain cover (sold separately)
- Complete with installation template
- ADA compliant
- Front overflow



CEFIONTECT



LINEARCERAM

MODELS

- LT477G#01
With CEFIONTECT
- LT477MT#CMW
With CLEAN MATTE WHITE finish (Available Q4 2019)

COLORS/FINISHES

- #01 Cotton
- #CMW CLEAN MATTE WHITE (Available Q4 2019)

PRODUCT SPECIFICATION

This vessel lavatory shall be made with LINEARCERAM. Lavatory shall be ADA compliant. Lavatory shall be TOTO Model LT477 _____.

CODES/STANDARDS

- Meets ADA guidelines and ANSI A117.1 requirements when top of lavatory rim is installed 864mm (34") from finished floor and lavatory is installed 52mm (2-1/16") minimum from front edge
- Meets and exceeds ASME A112.19.2/CSA B45.1
- Certifications: IAPMO(cUPC), State of Massachusetts, City of Los Angeles, and others
- Code compliance: UPC, IPC, NSPC, NPC Canada, and others



REQUIRED COMPONENTS FOR TOTO FAUCET

Drain (Kick Lever) and

Decorative Cover Plate (Sold Separately)

- THP737#01 / THP737#CMW for
ZL: TLP02307U#\$\$
GO: TLG01307U#\$\$
GR: TLG02307U#\$\$
GS: TLG03305U#\$\$

Decorative Cover Plate (Sold Separately)

- THP739#01 / THP739#CMW for
ZA: TLP03301U#\$\$
GE: TLG07305U#\$\$
GC: TLG08305U#\$\$
GM: TLG09305U#\$\$
GB: TLG10305U#\$\$
GF: TLG11305U#\$\$

LT477(G)(MT)

Kiwami® Asymmetrical Vessel Lavatory

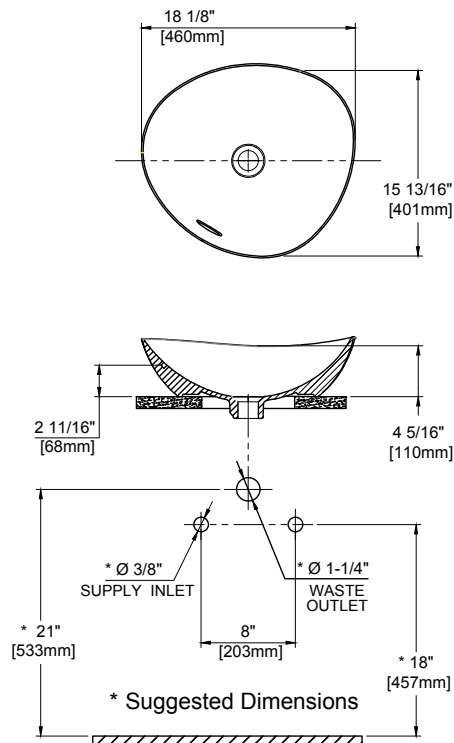
SPECIFICATIONS

Waste	1-1/4"
Size	18-1/8"W x 16-1/2"D x 5-1/8"H
Basin	19-3/8"W x 14-5/8"D
Basin Depth	5-1/8"
Warranty	One Year Limited Warranty
Material	LINEARCERAM®
Shipping Weight	17.5 lbs
Shipping Dimensions	17-3/4" x 17-3/4" x 7-3/4"

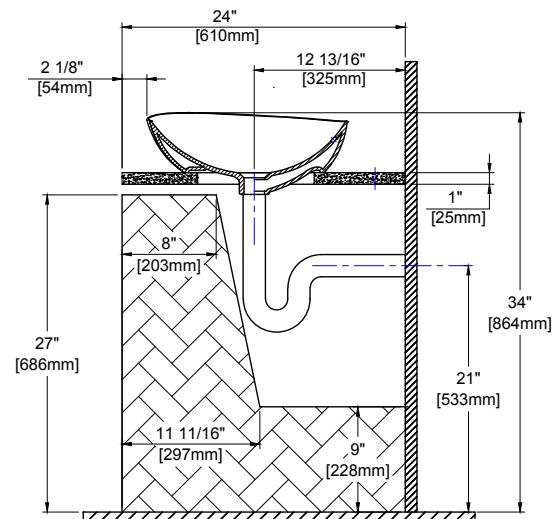
INSTALLATION NOTES

Recommended drains , THP737 or THP739. No drain is included. The recommended faucet height from deck to spout is 8-5/16" (211m) and below. Aim water supply away from the drain cover.

DIMENSIONS



ADA Compliance Check



TOTO®

These dimensions and specifications are subject to change without notice