

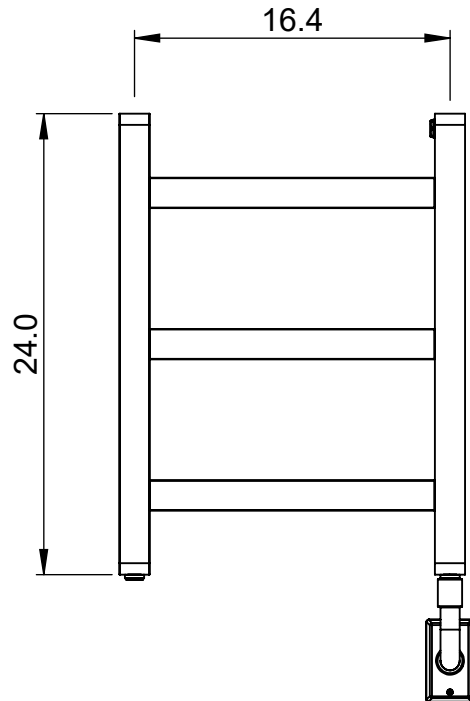
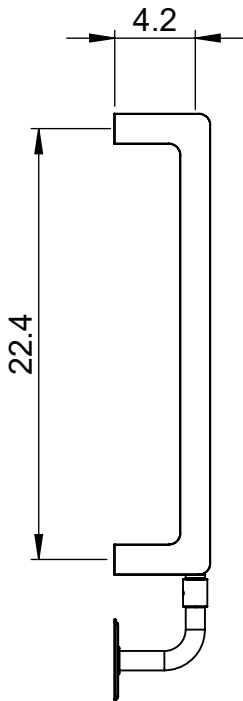
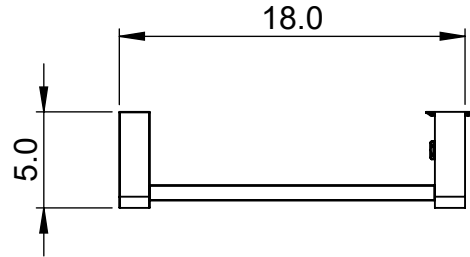
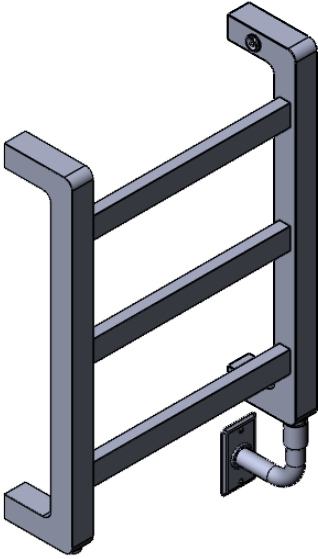
# EUC5A-24.0x18.0 Rad

Height: 24.0  
Width: 18.0  
Depth: 5.0  
Weight HO: kg  
EO: kg

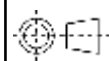
Tube  $\phi$ : 1.57sq + 1.57x0.79  
Pipe Centres: 16.4  
Elec. element if specified: 100  
Output @ 50°C  $\Delta$ T Watts: N/A  
BTUs: N/A

All dimensions in inches

Manufactured from 1.4301/X5CrNi18-10 Stainless Steel



Vogue UK Ltd. reserve the right to alter specifications without prior notice.  
ALL MEASUREMENTS ARE NOMINAL DIMENSIONS ONLY, AND ARE NOT BINDING.



SCALE 1:10



175 Memorial Drive Unit C  
Shrewsbury MA 01545 USA  
Tel: 508 887 8771 Fax: 508 887 8774  
e-mail: info@vougeuk.com ww.vougeuk.com