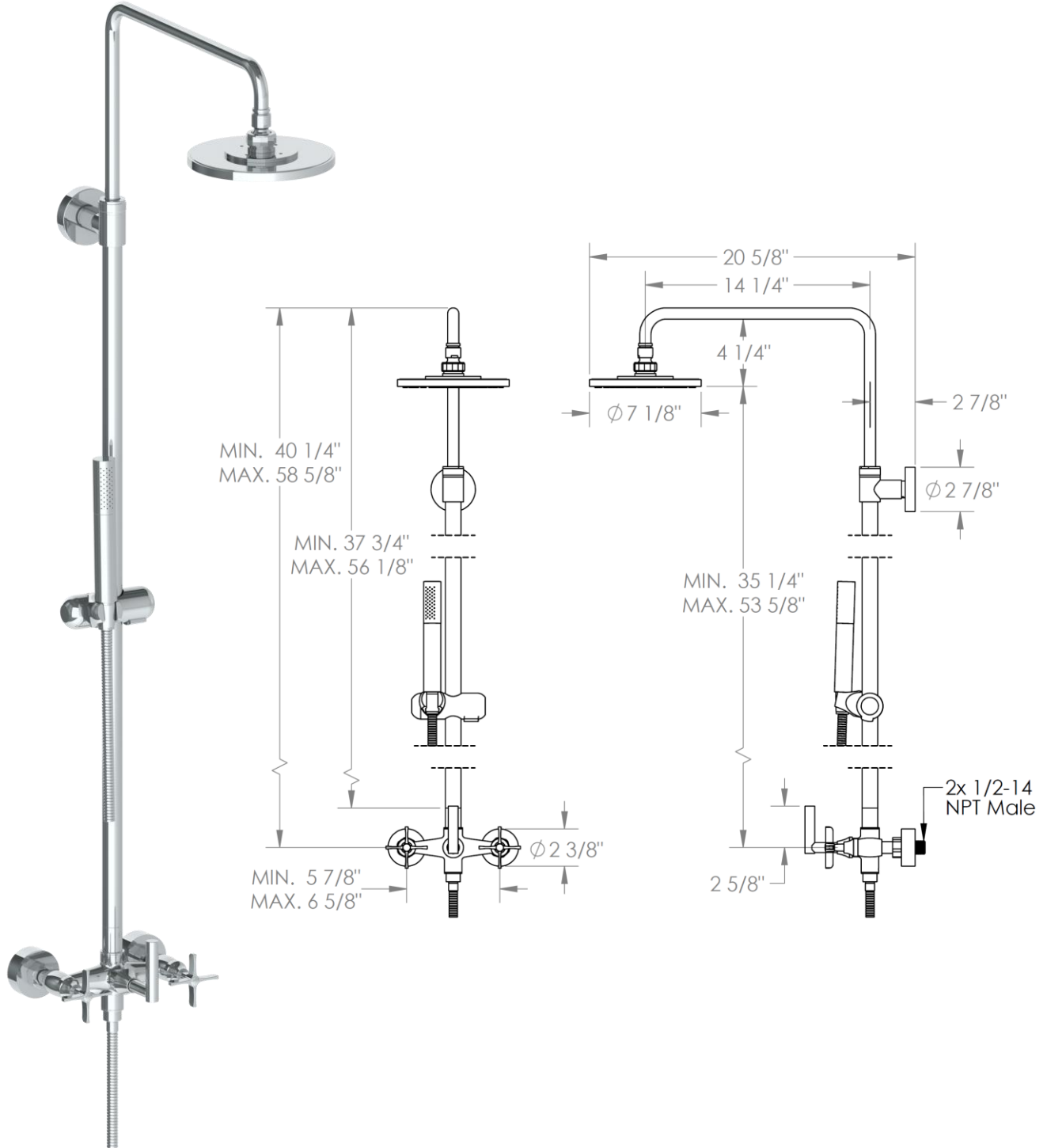


**115-6.1HS-**

Wall Mounted Exposed Shower with Hand Shower

Flow Rate: 1.75 GPM

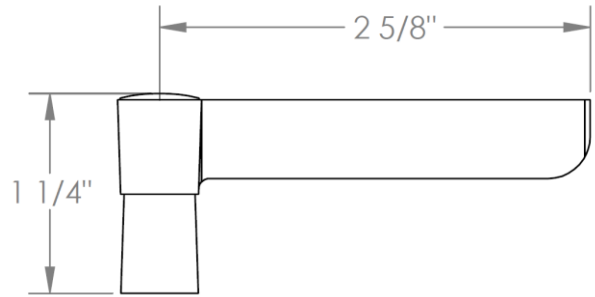
Note: Some building codes may require a remote pressure balance valve for anti-scald, such as the SS-PB50.



Meets the applicable requirements of ASME A112.18.1-2005/CSA B125.1-05, entitled "Plumbing Supply Fittings"

HANDLE TRIM OPTIONS

MZ4 - STANDARD



MZ5 - WHITNEY

