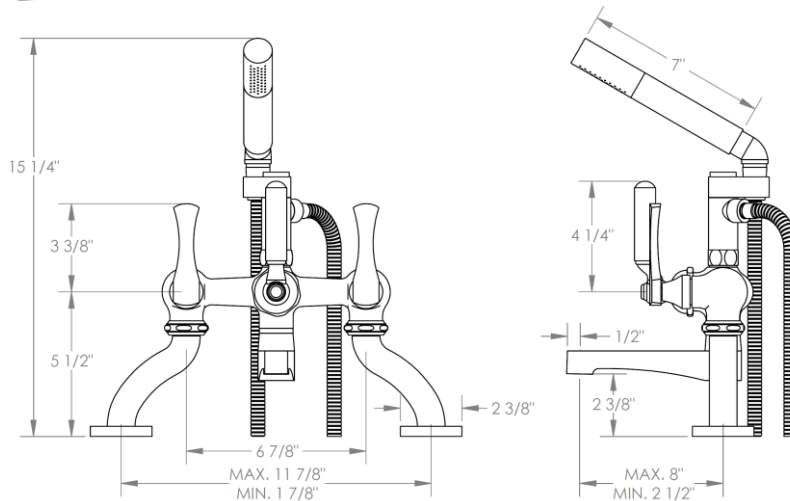


125-8.2-

Deck Mounted Exposed Bath Set with Hand Shower

Hand Shower Flow Rate: 1.75 GPM

Note: Some building codes require remote pressure balance valves for anti-scald



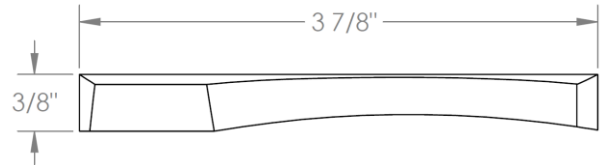
Meets the applicable requirements of ASME A112.18.1-2005/CSA B125.1-05, entitled "Plumbing Supply Fittings"

WATERMARK DESIGNS

2/7/2019

HANDLE TRIM OPTIONS

BG4 - JOYCE



BG5 - MARKET

