

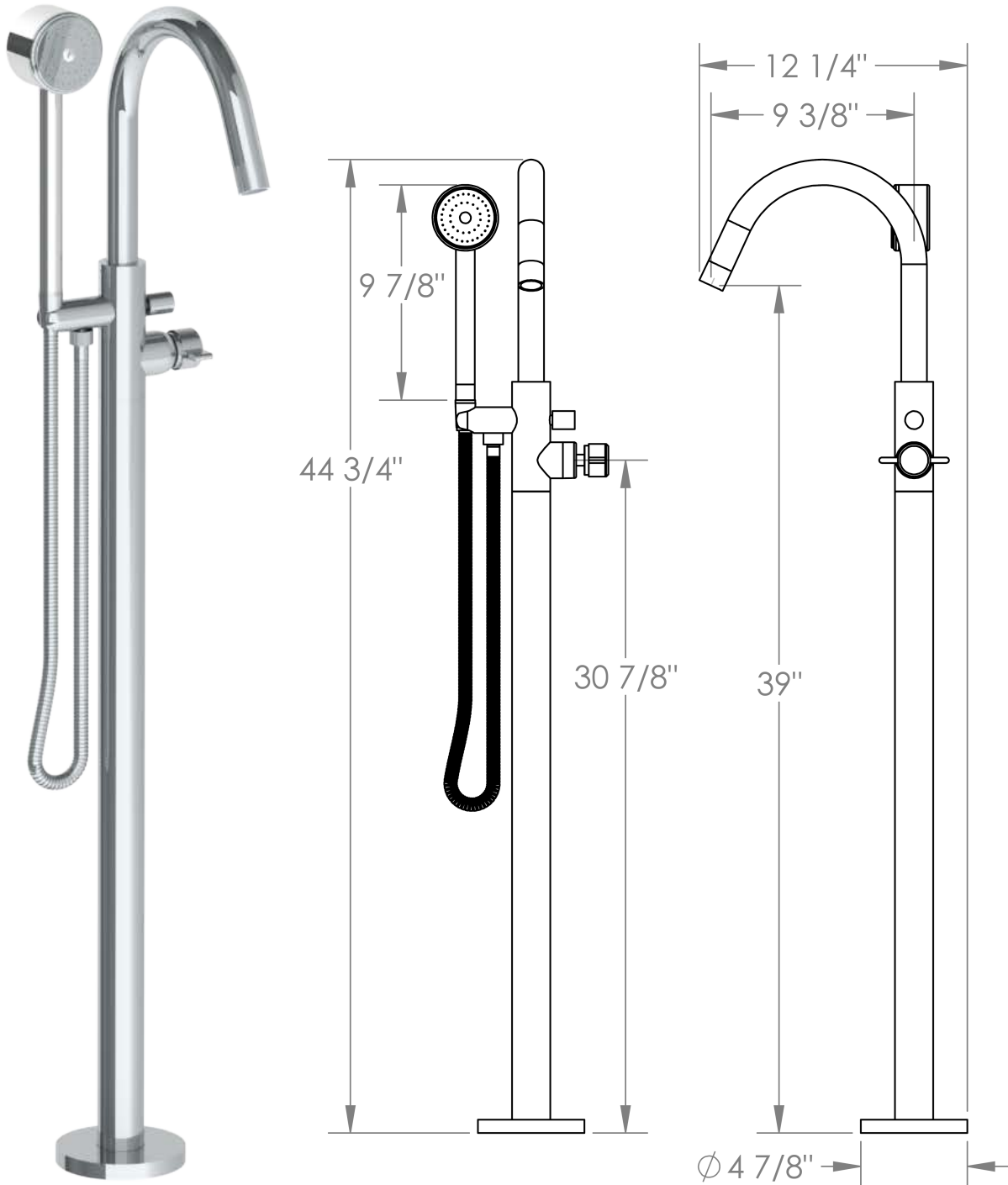
25-8.8-IN16

Floor mounted tub filler with hand shower

Hand Shower Flow Rate: 1.75 GPM

Requires Concealed Rough SS-248.8-FLR-RGH

Note: Some building codes may require a remote pressure balancing valve, such as the SS-PB50.



Meets the applicable requirements of ASME A112.18.1-2005/CSA B125.1-05, entitled "Plumbing Supply Fittings"