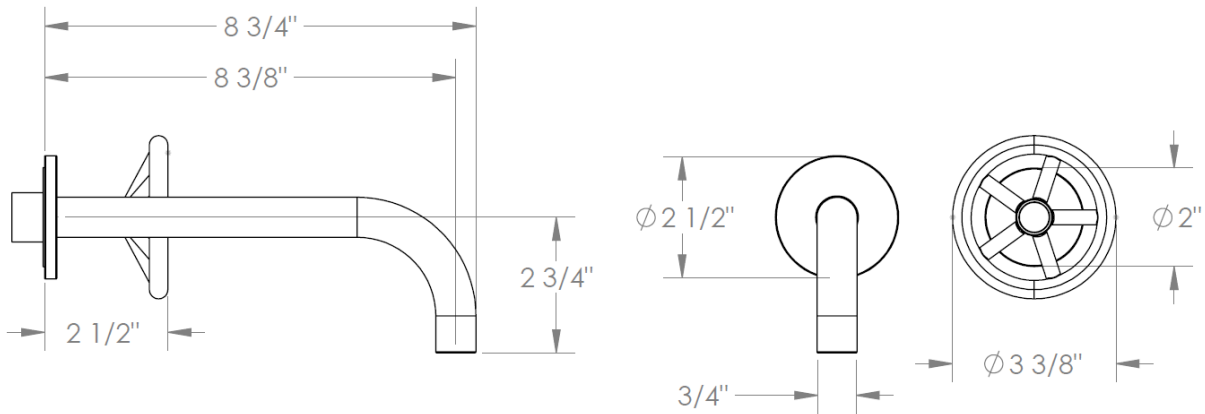


31-1.2M-BK

Single handle, wall mounted lavatory

Faucet Flow Rate: 1.2 GPM

Requires SS-SHV1.2 Concealed Rough



Meets the applicable requirements of ASME A112.18.1-2005/CSA B125.1-05, entitled "Plumbing Supply Fittings"