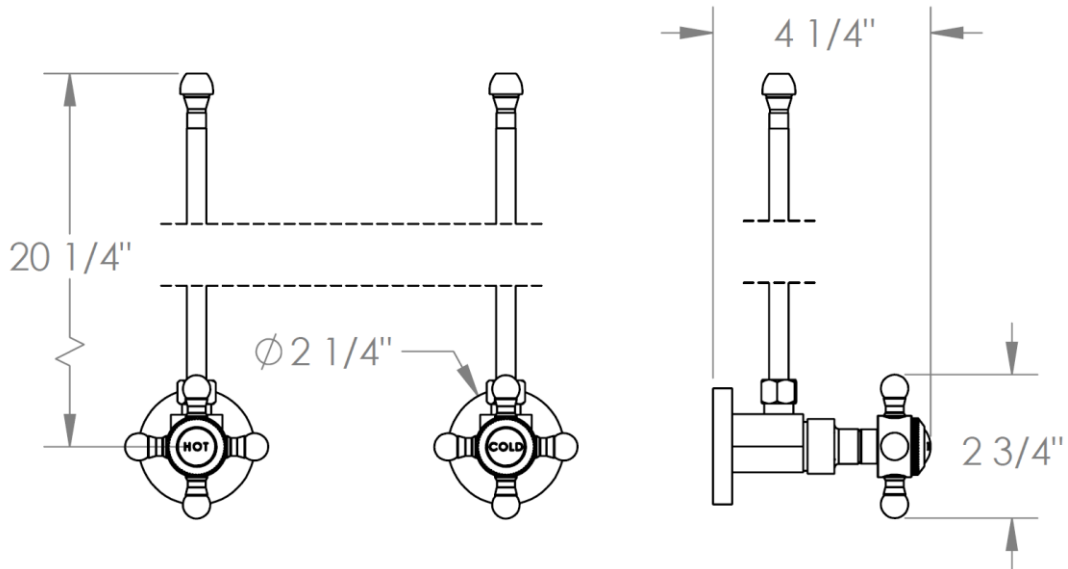


**312-MAS2-X**

Lavatory Angle Stop Kit – 1/2" IPS x 3/8" OD Compression



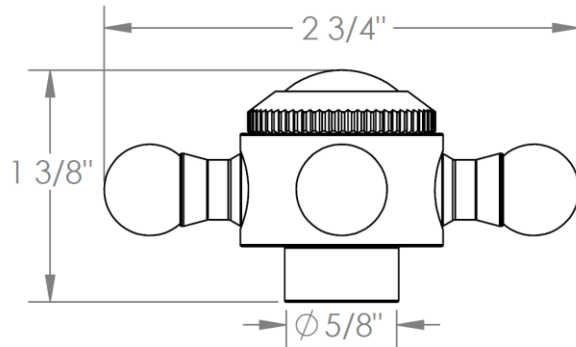
Meets the applicable requirements of ASME A112.18.1-2005/CSA B125.1-05, entitled "Plumbing Supply Fittings"

**WATERMARK DESIGNS 8/10/2018**

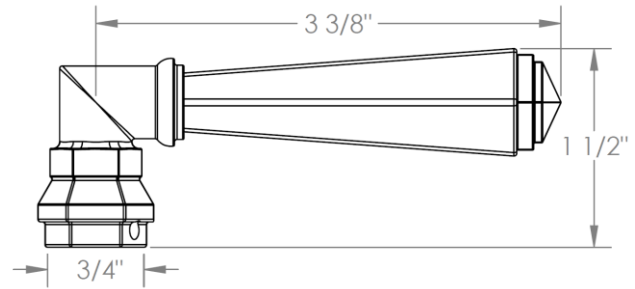
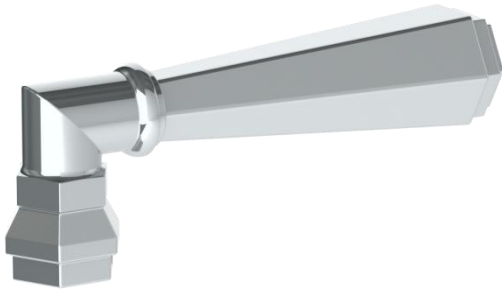
350 Dewitt Ave Brooklyn NY 11207 USA T 718 257 2800 F 718 257 2144 info@watermark-designs.com

**Gramercy Handle Options**

**X – OXFORD & V – WALES**



**Y – LYONS**



**Y2 – WILLIAMS**

