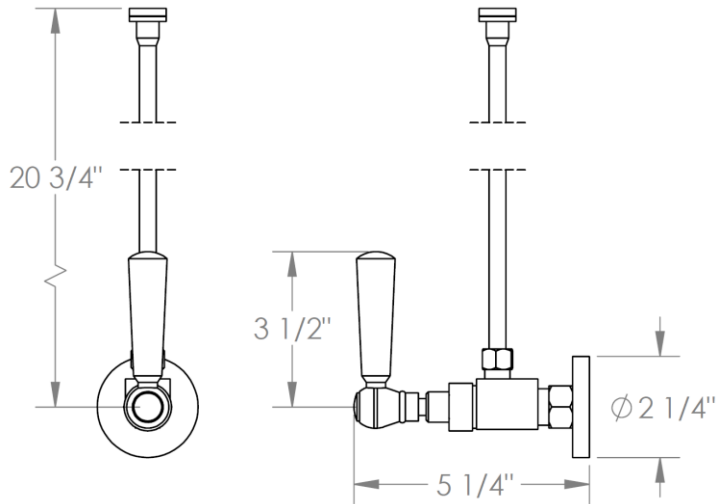
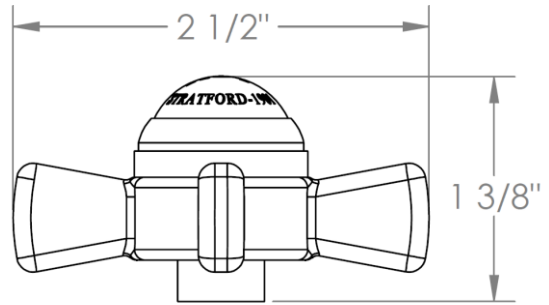


**321-MAS5-**  
Toilet Angle Stop Kit  
1/2" Compression x 3/8" OD Compression

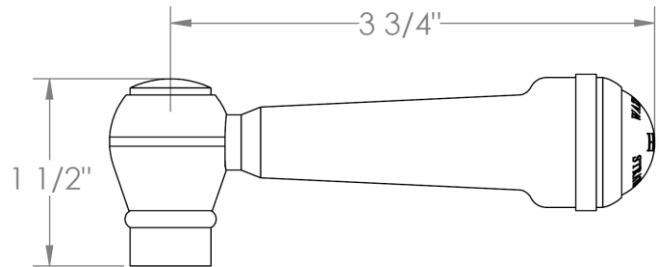


HANDLE TRIM OPTIONS

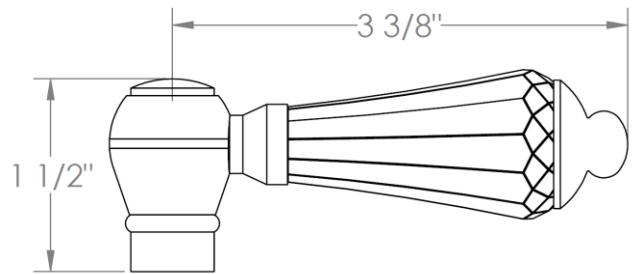
S1 - PRESTON



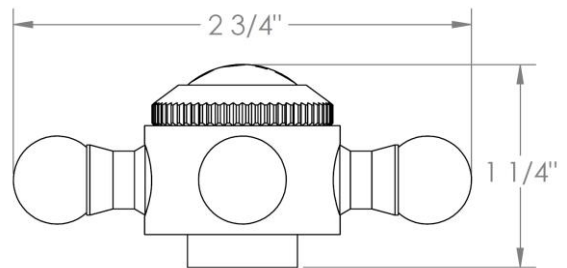
S2 - WALTHAM



SWA - DARIEN



V - WALES



S1A – NOTTINGHAM

