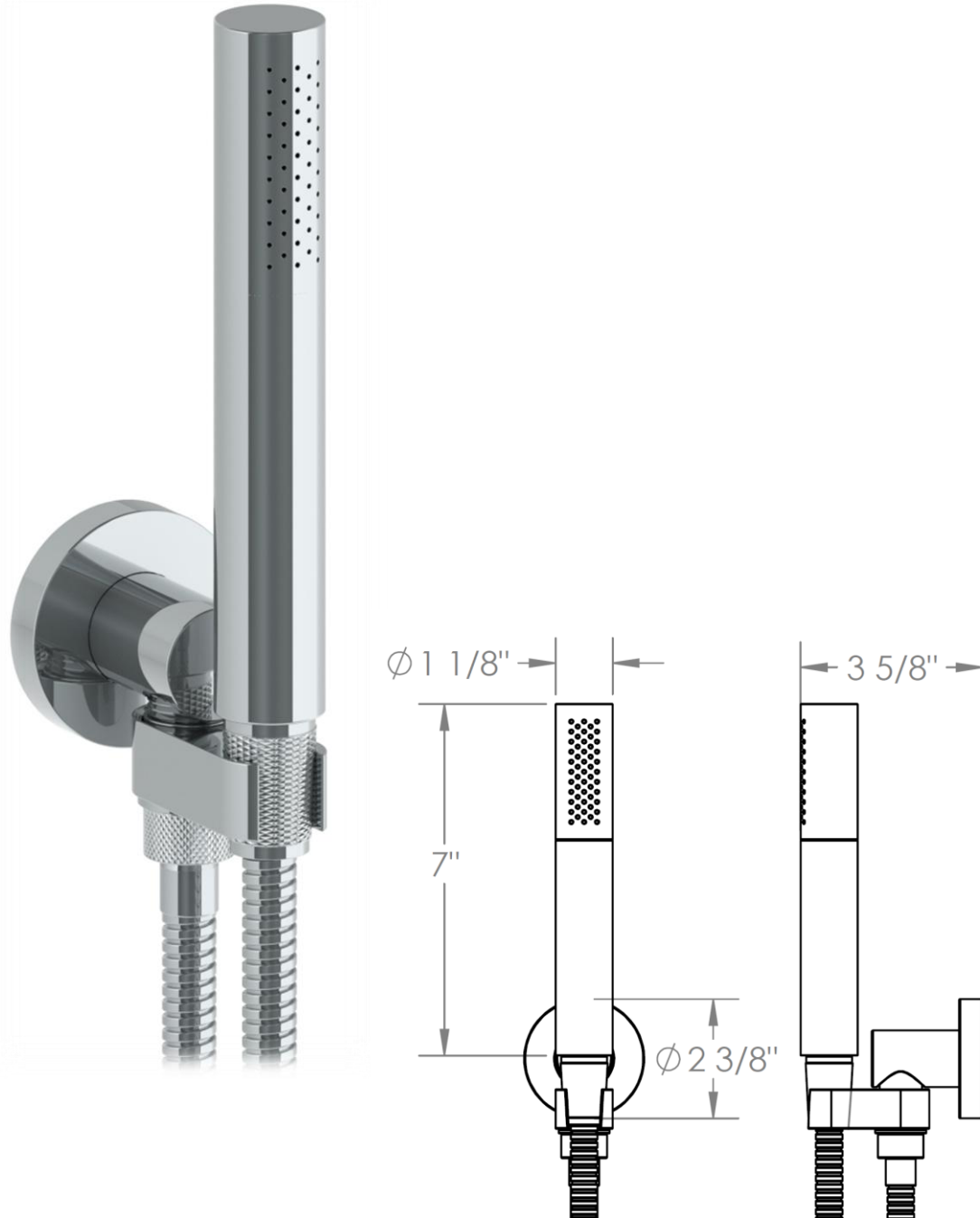


37-HSHK3

Hand Shower Kit – Hook and Elbow in One

Includes: ELB-BL1 wall elbow, DS-4079 hand shower hose and SH-TIT30 hand shower

Hand Shower Flow Rate: 1.75 GPM



Meets the applicable requirements of ASME A112.18.1-2005/CSA B125.1-05, entitled "Plumbing Supply Fittings"

WATERMARK DESIGNS 3/1/2016

350 Dewitt Ave Brooklyn NY 11207 USA T 718 257 2800 F 718 257 2144 info@watermark-designs.com