

**38-3.1- - - -EV4**

Wall Mounted Exposed Tub and Shower Set

Shower Head Flow Rate: 1.75 GPM

Note: Please specify ( E-G, O-R, U-W )

Note: Some building codes may require a remote pressure balance valve for anti-scald, such as the SS-PB50.



Meets the applicable requirements of ASME A112.18.1-2005/CSA B125.1-05, entitled "Plumbing Supply Fittings"

**38-3.1- - - -EV4**

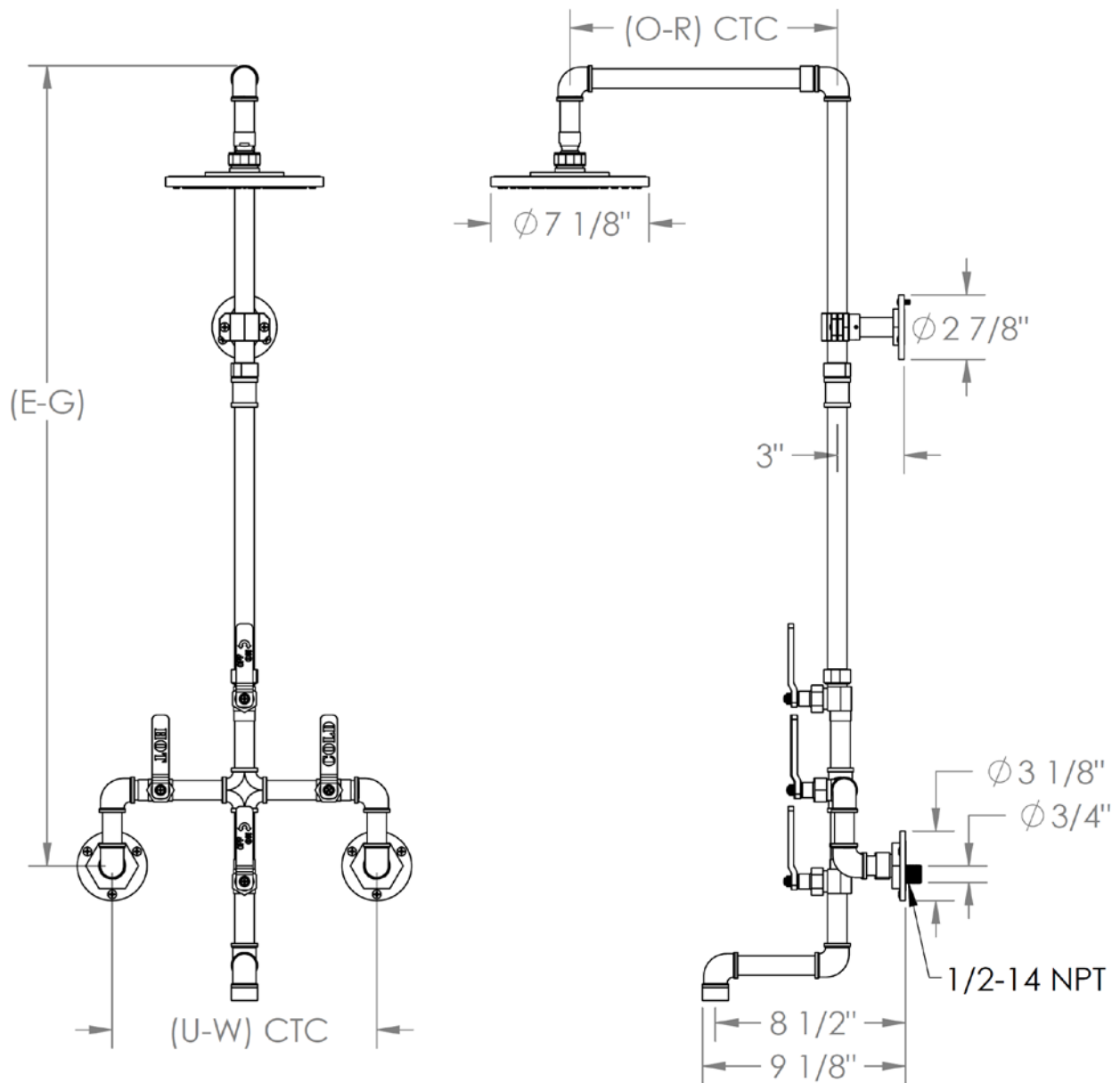
Wall Mounted Exposed Tub and Shower Set

Shower Head Flow Rate: 1.75 GPM

Note: Please specify ( E-G, O-R, U-W )

Note: Some building codes may require a remote pressure balance valve for anti-scald, such as the SS-PB50.

HEIGHT	PROJECTION	MOUNT SPREAD
E = 36"	O = 12"	U = 8"
F = 48"	P = 14"	V = 12"
G = 60"	Q = 16"	W = 18"
-----	R = 18"	-----



Meets the applicable requirements of ASME A112.18.1-2005/CSA B125.1-05, entitled "Plumbing Supply Fittings"